

ARCHITECTURAL LIGHTING

 **PROline**
professional lighting

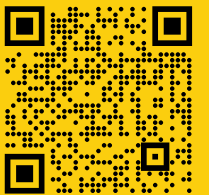
PRODAJA IN ZASTOPSTVO
JAKA&I d.o.o.

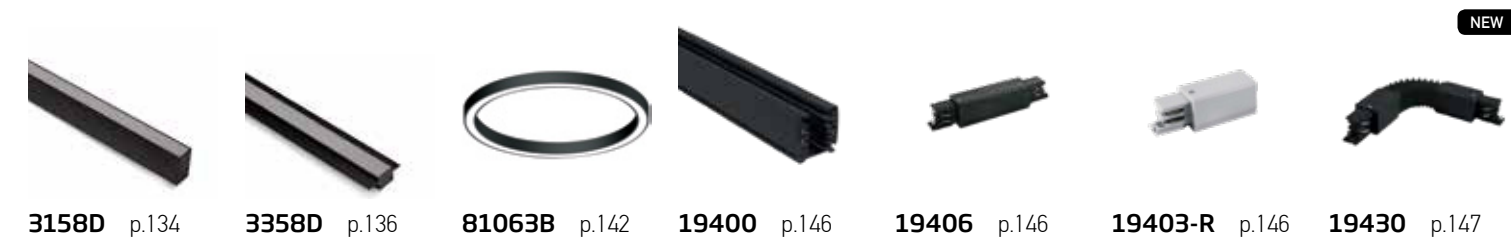
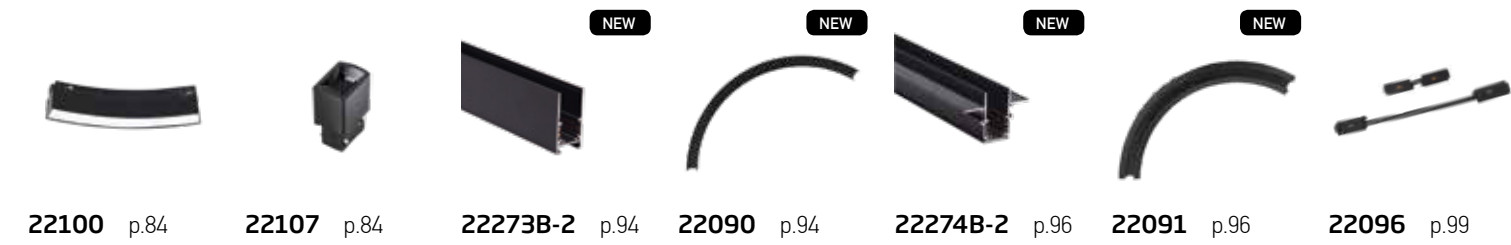
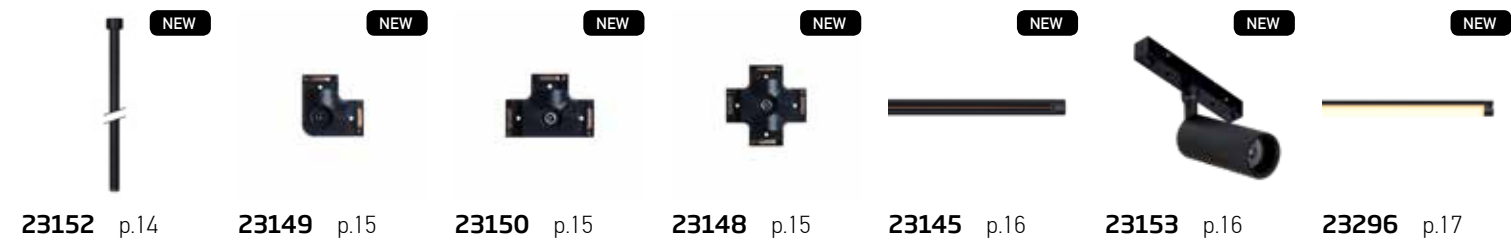


 **Zambelis**
LIGHTS

INDEX

01. 48V SPACE FRAME MAGNETIC SYSTEM | p.010-021
02. 48V ULTRA SLIM MAGNETIC SYSTEM | p.022-035
03. 24V FLEXIBLE CURVED SYSTEM | p.036-043
04. 48V LINEAR MAGNETIC SYSTEM | p.044-077
05. 48V ROUNDED RECTANGLE MAGNETIC SYSTEM | p.078-091
06. 48V CIRCLES - CURVED MAGNETIC SYSTEM | p.092-105
07. 24V MINI SURFACE MAGNETIC SYSTEM | p.106-115
08. 24V PLUG & PLAY | p.116-121
09. LINEAR & CIRCLES | p.122-143
10. 3-PHASE TRACKS & LIGHTS | p.144-165
11. DOWNLIGHT RECESSED & TRIMLESS LED SPOTS | p.166-201
12. WATERPROOF DOWNLIGHT SPOTS | p.202-209
13. DOWNLIGHT RECESSED SPOTS GU10 | p.210-223
14. CEILING SPOTS | p.224-247
15. GYPSUM | p.248-259
16. ALUMINIUM PROFILES-LED STRIPS-DRIVERS | p.260-279





ARCHITECTURAL LIGHTING



19413 p.147 19414 p.147 S065 p.148 S197 p.150 S203 p.150 18306 p.152 S114 p.154



S118 p.154 S122 p.154 S123 p.154 S059 p.156 S062-40 p.156 S054-40 p.158 S056-40 p.158



180015 p.160 1928-B p.160 Z65644T-W p.162 Z65105NT-G p.162 S037 p.164 S136 p.170 S140 p.171



S138 p.172 S142 p.173 S181 p.174 S183 p.174 S185 p.176 S187 p.176 S204 p.180



S205 p.180 S208 p.180 S169 p.182 S171 p.182 S176 p.184 S173 p.186 S178 p.186



S075 p.188 S097 p.190 S094 p.192 S078 p.192 S070 p.193 S145 p.194 S143 p.194



1927 p.195 180013 p.195 Z10103BTR-W p.195 Z10103BTR-B p.195 S195 p.196 S192 p.197 S193 p.198



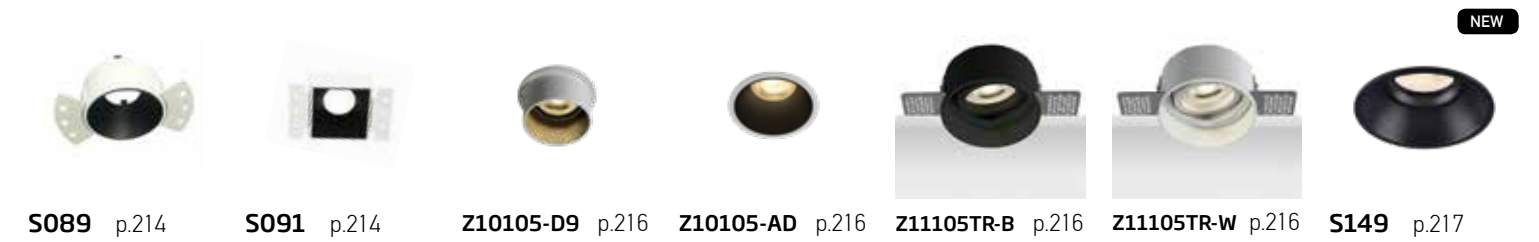
S190 p.199 S086 p.200 S087 p.201 S102 p.201 E332 p.204 S162 p.205 180016 p.205



S111 p.206 S046 p.206 S165 p.208 S168 p.208 S125 p.212 S127 p.212 RFL125-BL p.212



RFL125-G p.212 S129 p.212 S126 p.213 S128 p.213 RFL126-BL p.213 RFL126-G p.213 S130 p.213



S089 p.214 S091 p.214 Z10105-D9 p.216 Z10105-AD p.216 Z11105TR-B p.216 Z11105TR-W p.216 S149 p.217



S148 p.217 S163 p.218 S150 p.218 S060 p.219 S061 p.219 S020 p.219 S012 p.220

ARCHITECTURAL LIGHTING



S009 p.220 S008 p.221 S014 p.221 S147 p.222 S214 p.226 S215 p.226 S217 p.228



S029 p.256 S047 p.258 S048 p.258 20193 p.262 20194 p.262 20197 p.262 20205 p.263



S218 p.228 S180 p.230 S179 p.230 S001 p.230 S153 p.232 S154 p.232 S155 p.232



20203 p.263 20204 p.263 20190 p.264 20195 p.264 20198 p.264 20199 p.265 20201 p.265



Z12107K-W p.234 Z12107K-B p.234 S159 p.236 S160 p.236 S161 p.236 S112 p.238 22133 p.239



20206 p.265 20326 p.266 20327 p.266 20328 p.267 20325 p.267 20329 p.267 LS22 p.268



S131 p.240 S134 p.240 S069 p.241 S039 p.242 S040 p.242 S151 p.242 S152 p.242



LS28 p.268 LS33 p.269 LS32 p.269 LS12 p.270 LS05 p.270 LS06 p.271 LS07 p.271



S156 p.244 S157 p.244 S158 p.244 S063 p.246 20272 p.250 20273 p.252 20274 p.252



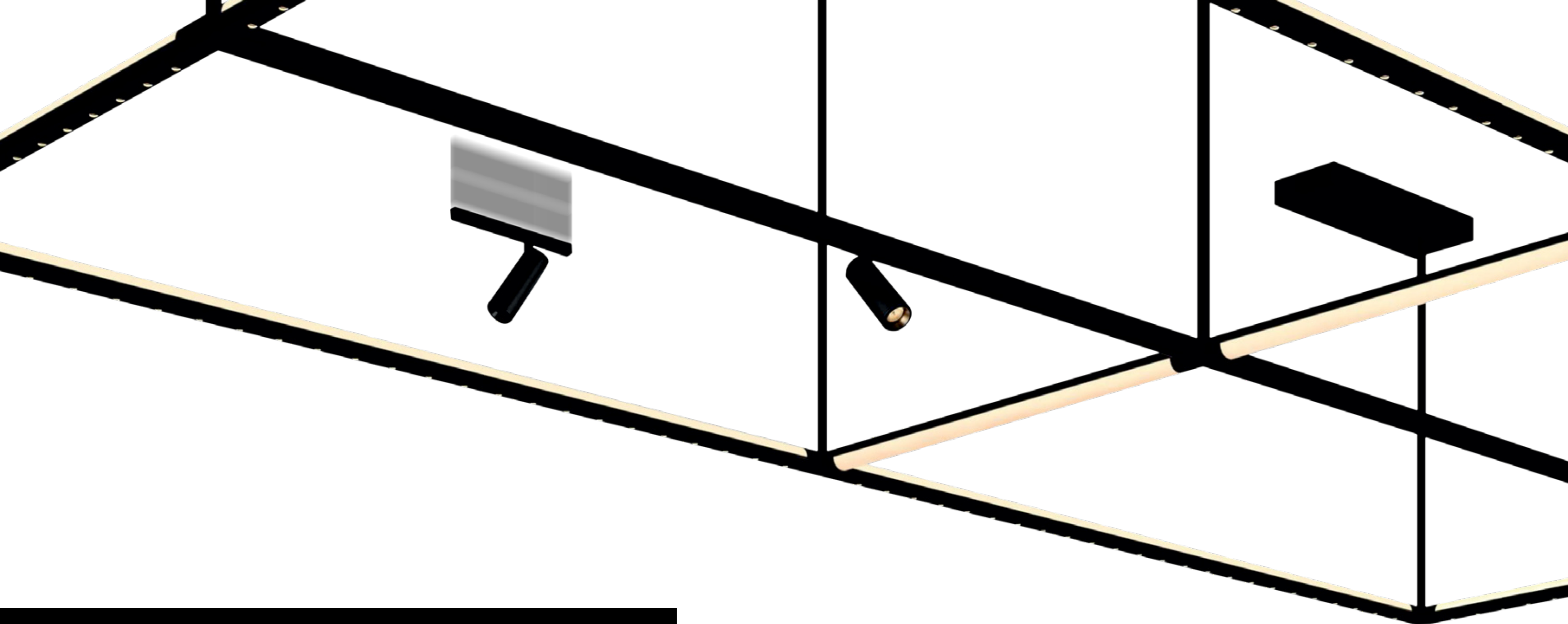
LS04 p.272 LS01 p.272 LS15 p.273 LS16 p.273 4052899605503 p.274 4062172329767 p.275 4052899465916 p.275



180026 p.254 180027 p.254 180025 p.255 180028 p.255 S030 p.256 S025 p.256 S027 p.256



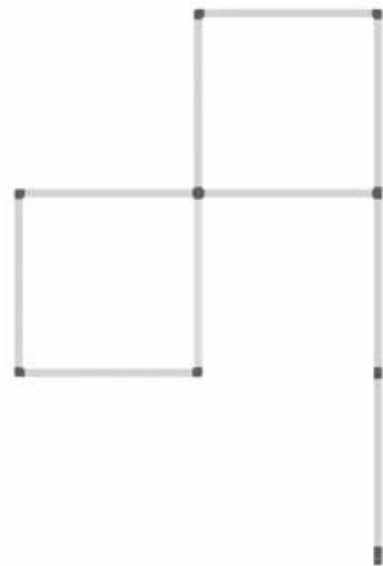
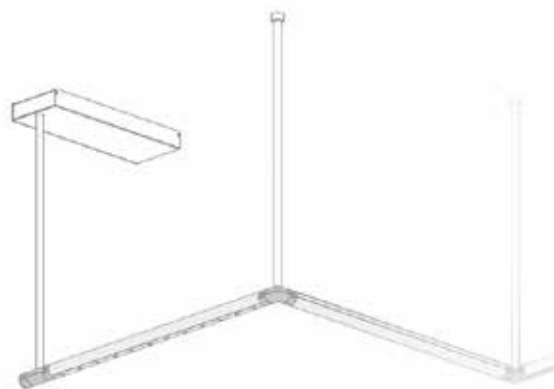
4052899557949 p.276 Z89200VND p.276 89800257 p.277 4052899605787 p.278 28003210 p.278 D-DALI20 p.279 LSW700P p.279



48V SPACE FRAME MAGNETIC SYSTEM | p.010-021



DO IT YOURSELF...



DOWNLIGHT TUBE



SPOT TUBE WITH UP-LIGHT



SPOT TUBE

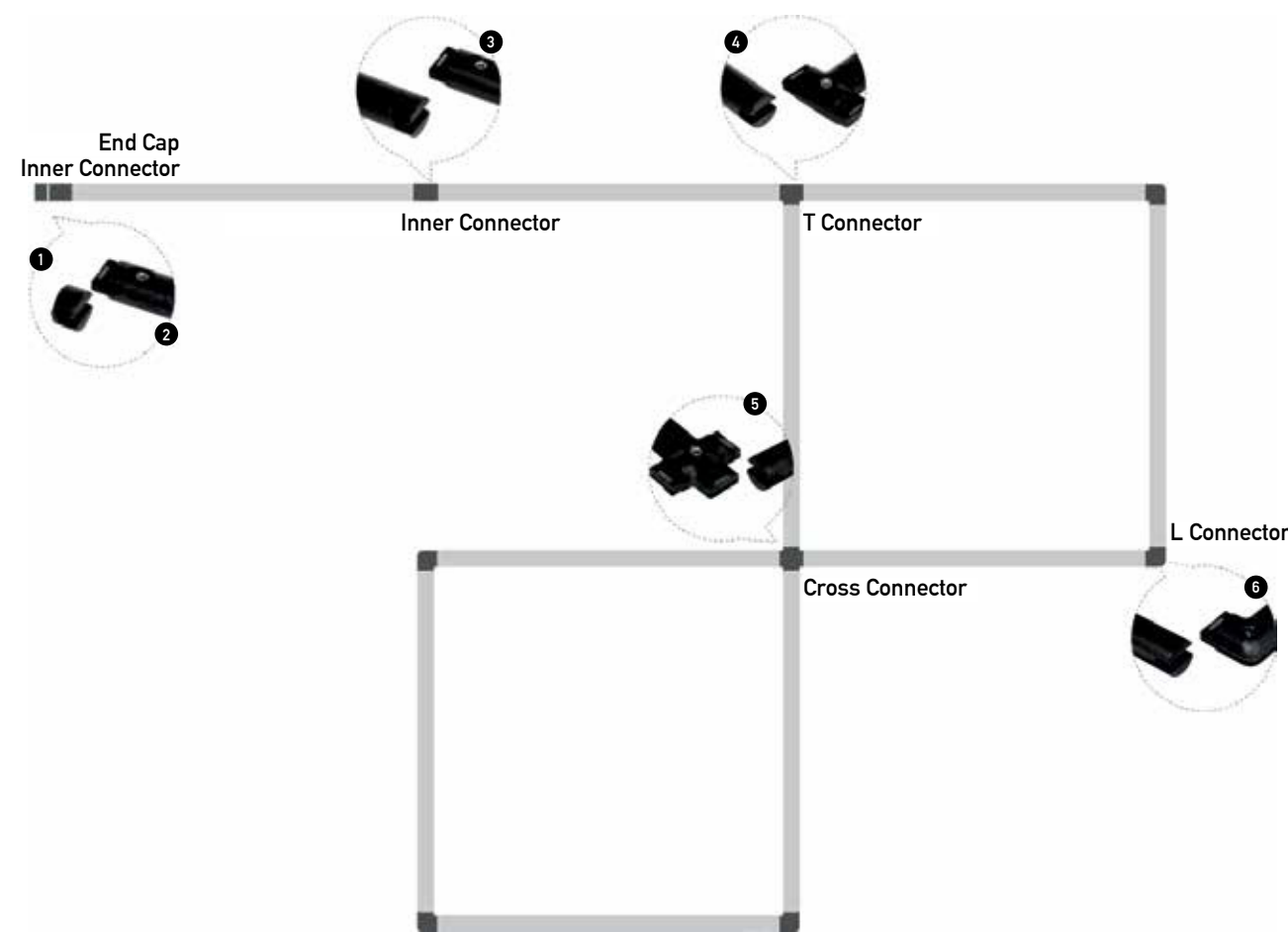
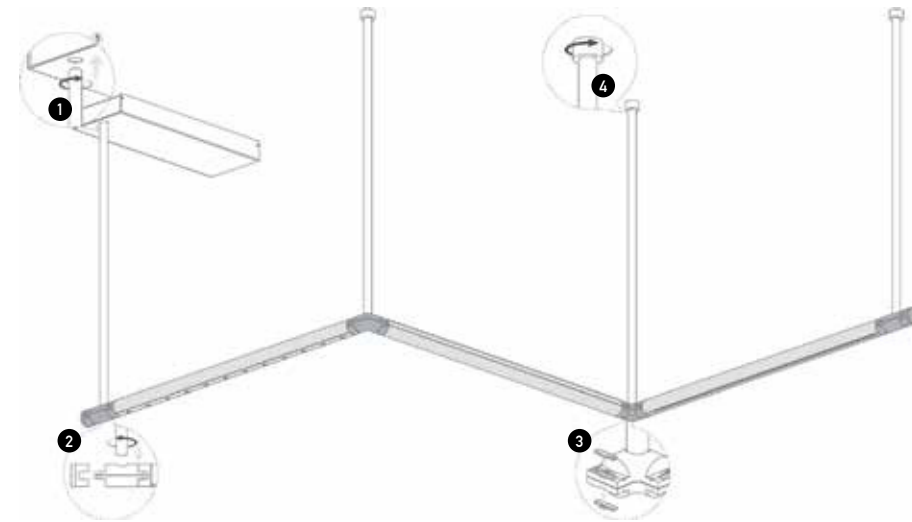


U MAGNETIC TRACK



 Power Supply Connection

Feeder Tube needs to be used in conjunction with Power Supply 48V.
 End Cap and Inner Connector is needed at combined tail end.
 Each group of circuits should not exceed 200W.
 Insulator block circuit should be used in circuit grouping.



Feeder Tube

Dimensions $\text{Ø}: 25\text{mm}$ H: 562mm
 Material Metal
 Color Black Matt / **Code 23155**

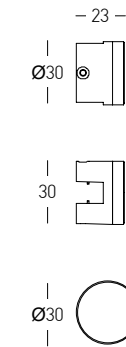


Pendant Tube

Dimensions $\text{Ø}: 25\text{mm}$ H: 593mm
 Material Metal
 Color Black Matt / **Code 23152**

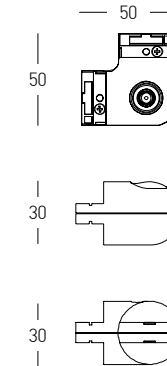


End Cap



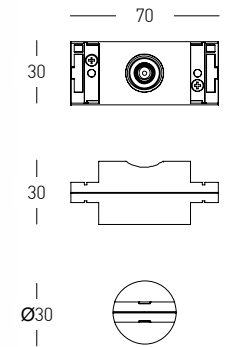
Dimensions $\text{Ø}: 30\text{mm}$ L: 23mm
 Material Plastic
 Color Black Matt / **Code 23151**

L Connector



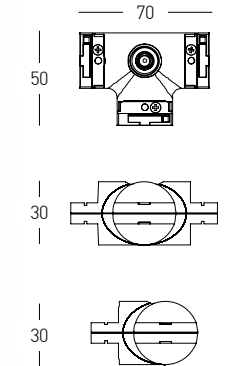
Dimensions $\text{Ø}: 30\text{mm}$ L: 50mm W: 50mm
 Material Plastic
 Color Black Matt / **Code 23149**

Inner Connector



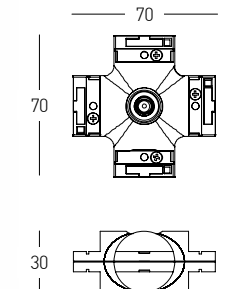
Dimensions $\text{Ø}: 30\text{mm}$ L: 70mm
 Material Plastic
 Color Black Matt / **Code 23156**

T Connector



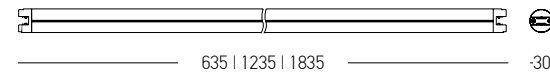
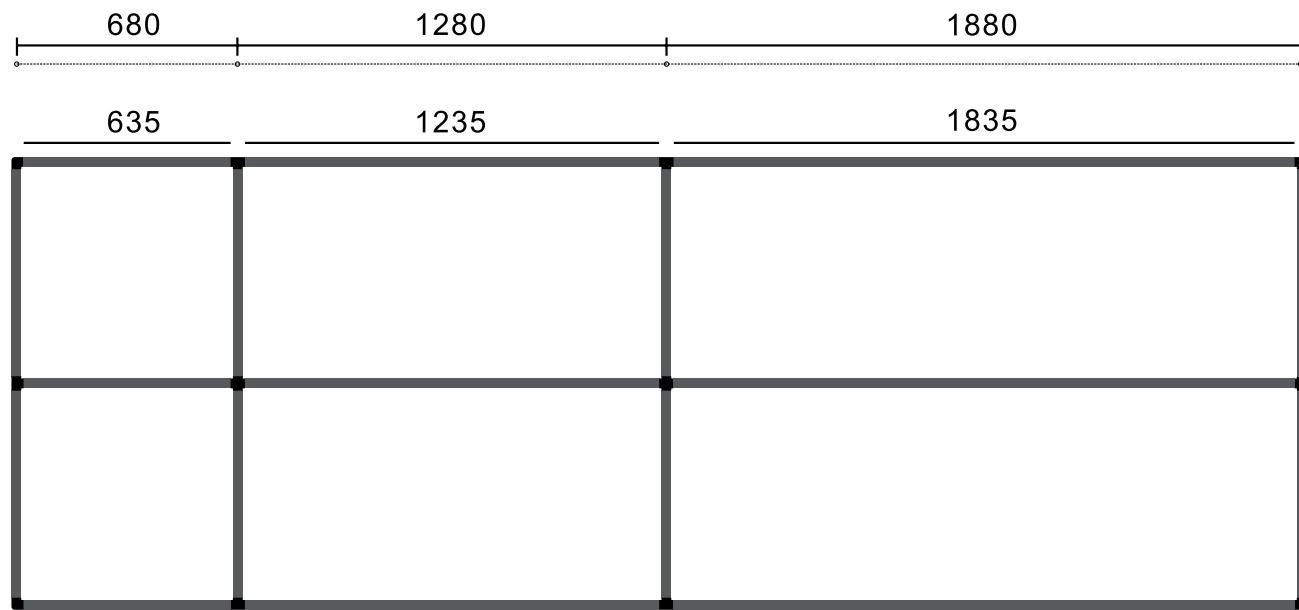
Dimensions $\text{Ø}: 30\text{mm}$ L: 70mm W: 50mm
 Material Plastic
 Color Black Matt / **Code 23150**

Cross Connector



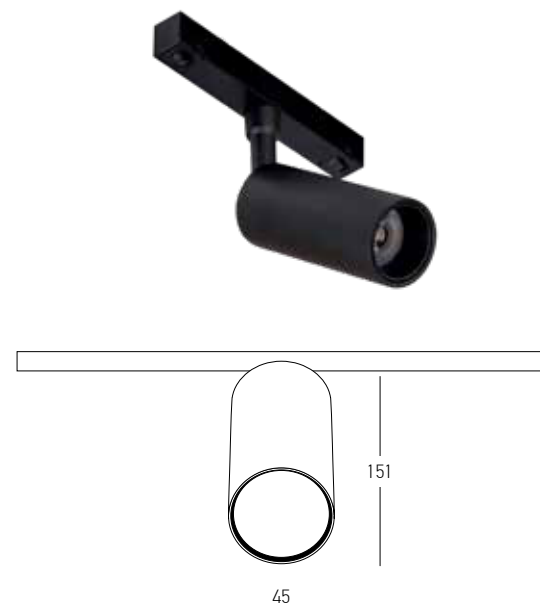
Dimensions $\text{Ø}: 30\text{mm}$ L: 70mm W: 70mm
 Material Plastic
 Color Black Matt / **Code 23148**

*Dimensions Indicated In Millimeters



Track Code	Size
23147	635mm
23145	1235mm
23146	1835mm

Input 48V
 Dimensions Ø: 30mm L: 635mm | 1235mm | 1835mm
 Material Aluminium
 Color Black Matt

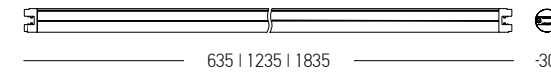


Power 9.6W
 Input 48V
 Color Temperature 3000K
 Lumen 780Lm
 Cri 90
 Dimensions Ø: 45mm L: 151mm
 Beam Angle 28°
 DALI Dimmable ☉
 Material Aluminium
 Color Black Matt / **Code 23153**



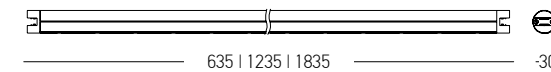
Track Code	Size
23295	635mm
23296	1235mm
23297	1835mm

Power 12W | 24W | 36W
 Input 48V
 Color Temperature 3000K
 Lumen 966Lm | 1812Lm | 2708Lm
 Cri 90
 Dimensions Ø: 30mm L: 635mm | 1235mm | 1835mm
 Beam Angle 115°
 DALI Dimmable ☉
 Material Aluminium - Acrylic
 Color Black Matt



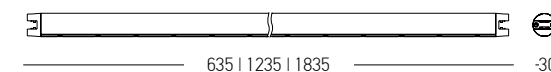
Track Code	Size
23144	635mm
23142	1235mm
23143	1835mm

Power 25W | 50W | 75W
 Input 48V
 Color Temperature 3000K
 Lumen 1966Lm | 2812Lm | 3708Lm
 Cri 90
 Dimensions Ø: 30mm L: 635mm | 1235mm | 1835mm
 Beam Angle 20°
 DALI Dimmable ☉
 Material Aluminium - Acrylic
 Special Feature Up-Down Light
 Color Black Matt



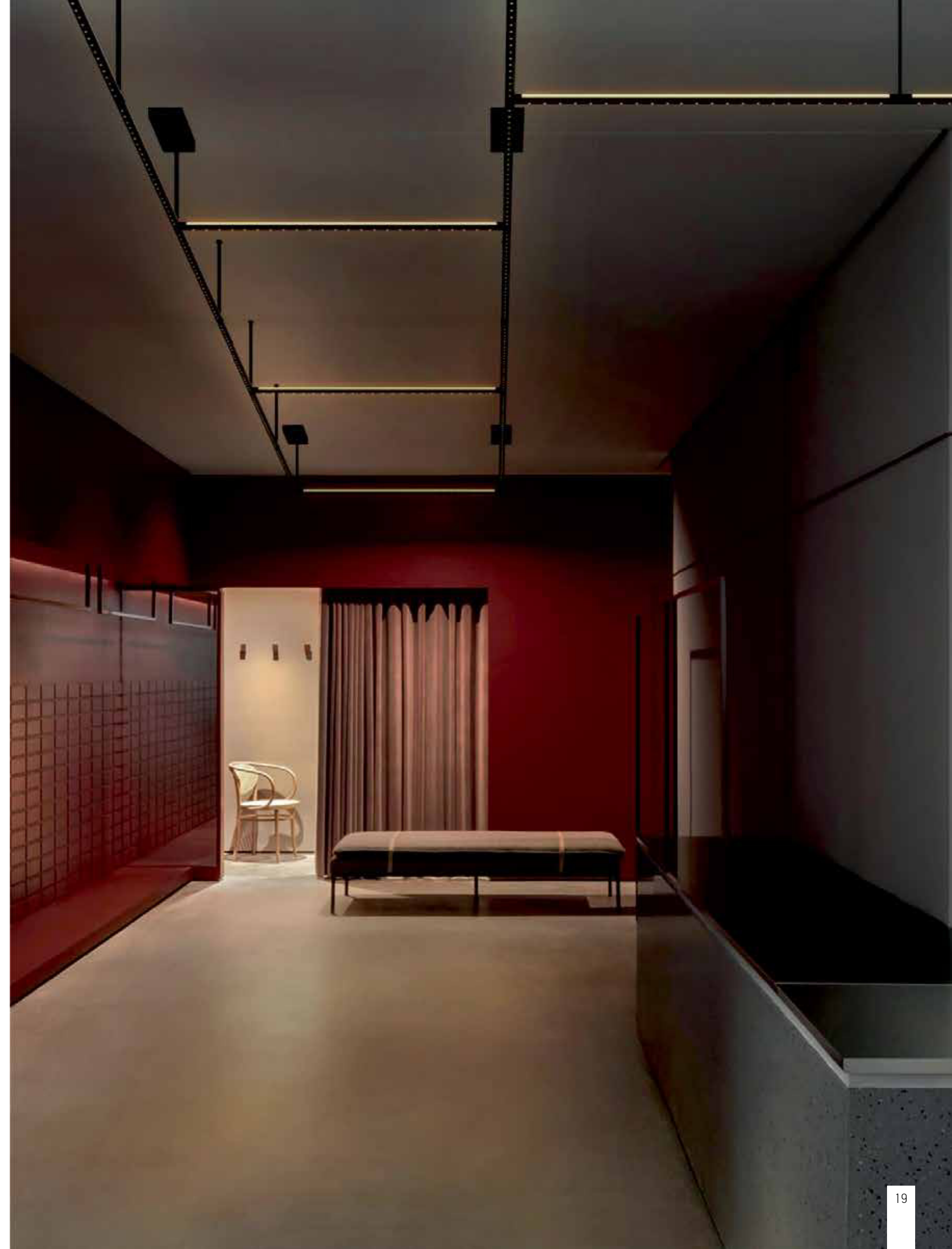
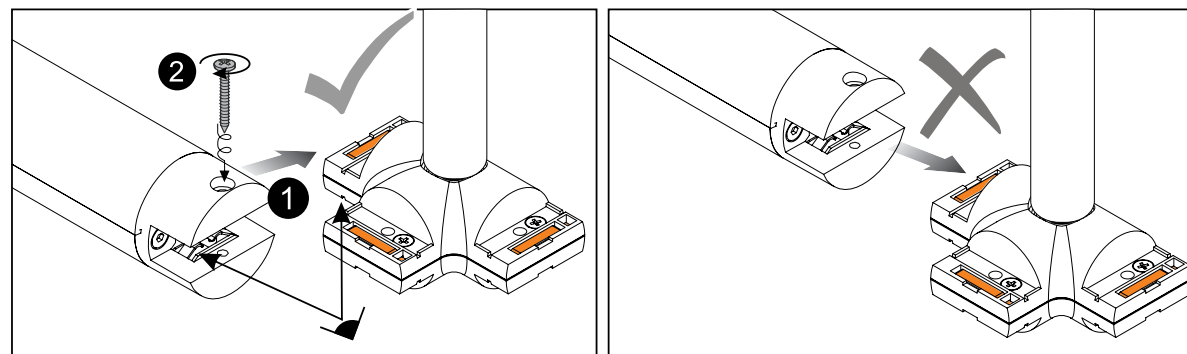
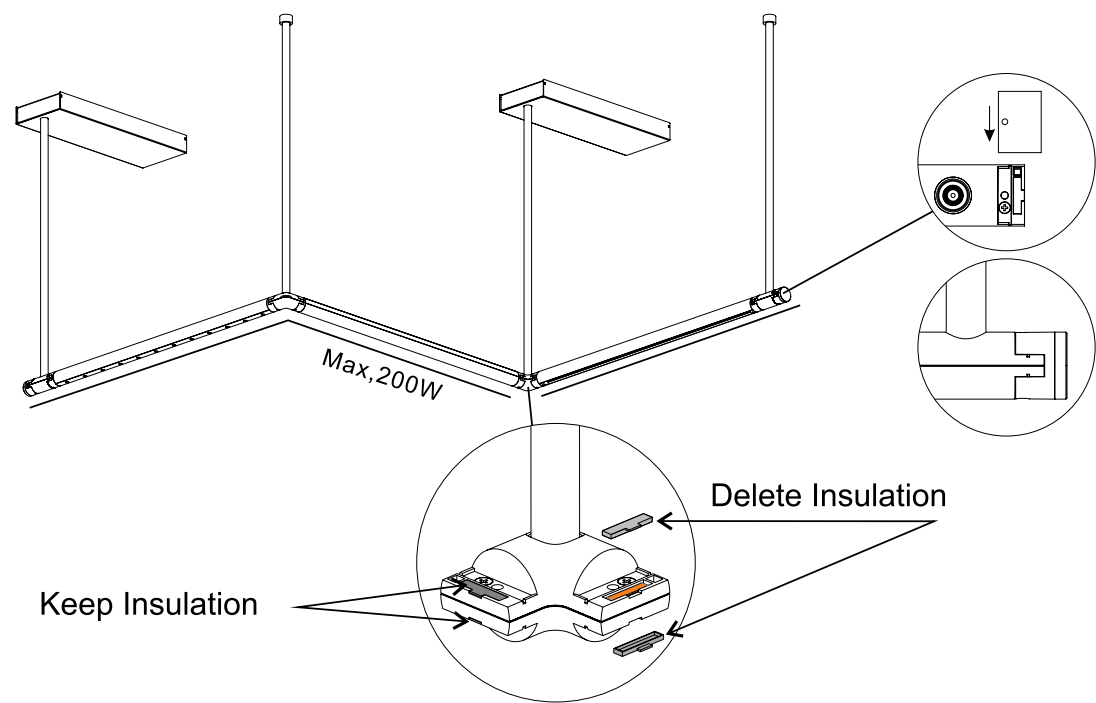
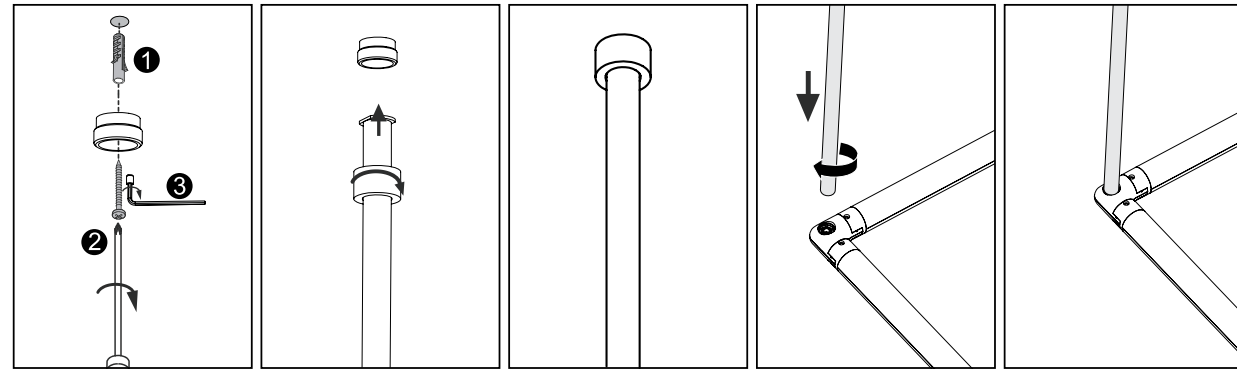
Track Code	Size
23141	635mm
23139	1235mm
23140	1835mm

Power 12W | 24W | 36W
 Input 48V
 Color Temperature 3000K
 Lumen 985Lm | 1831Lm | 2726Lm
 Cri 90
 Dimensions Ø: 30mm L: 635mm | 1235mm | 1835mm
 Beam Angle 20°
 DALI Dimmable ☉
 Material Aluminium - Acrylic
 Color Black Matt

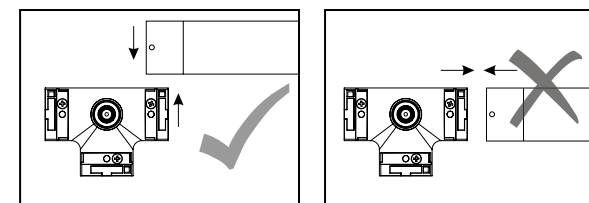
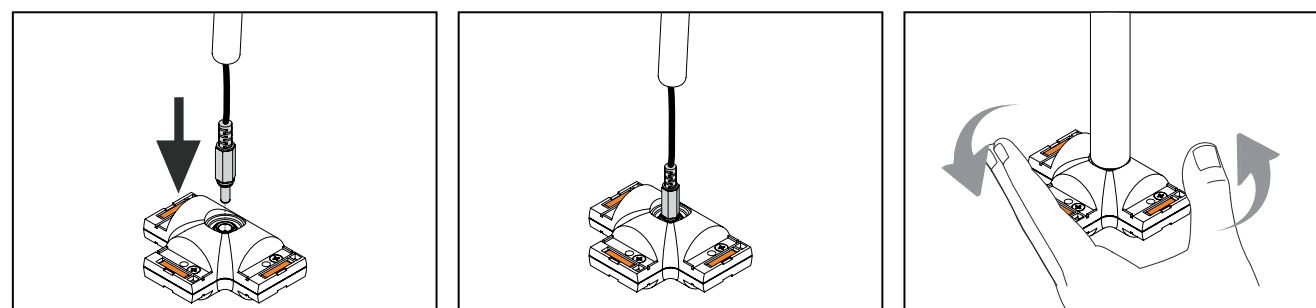
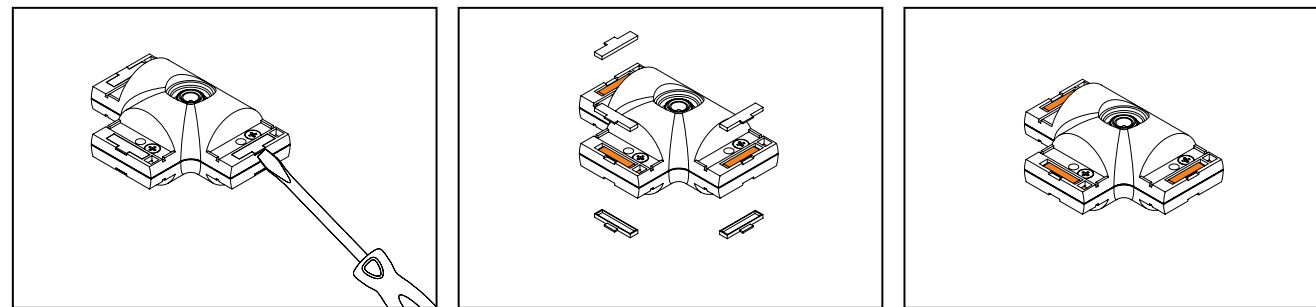
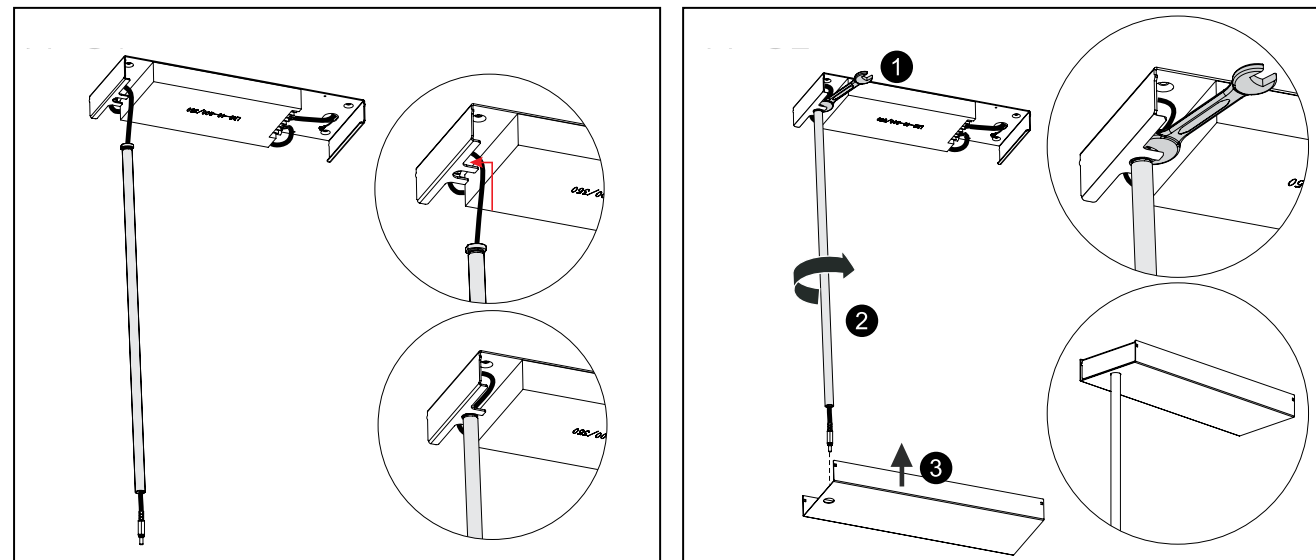
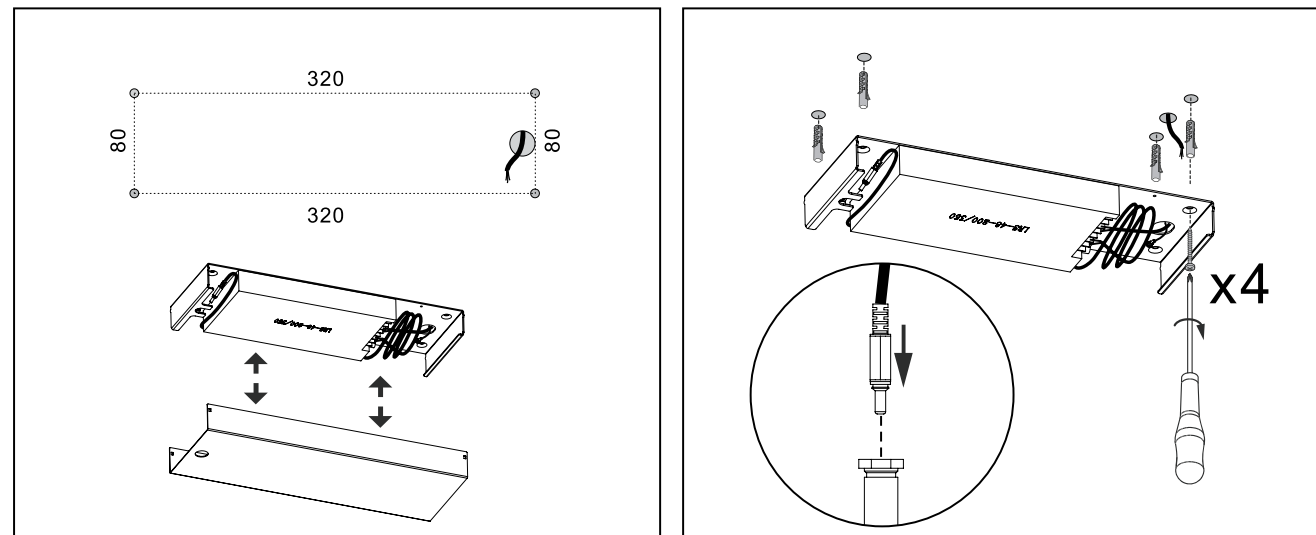


 WARNING

Each group of circuits should not exceed 200W.
Circuit grouping, need to block the circuit.



Installation Guide (On/Off Application)



Power Supply 48V On/Off

Power 200W
 Input 220-240V
 Output 48V
 Dimensions L: 355mm W: 124mm H: 39.5mm
 Material Metal
 Special Feature Driver On the Box
 Color Black Matt / **Code 23154**



Power Supply 48V DALI Remote

Power 200W
 Input 220-240V
 Output 48V
 Dimensions L: 355mm W: 124mm H: 39.5mm
 Material Metal
 Special Feature DALI Driver is out of the box (Remote)
 Color Black Matt / **Code 23157**

Feeder Tube

Dimensions Ø: 25mm H: 562mm
 Material Metal
 Color Black Matt / **Code 23155**



Pendant Tube

Dimensions Ø: 25mm H: 593mm
 Material Metal
 Color Black Matt / **Code 23152**

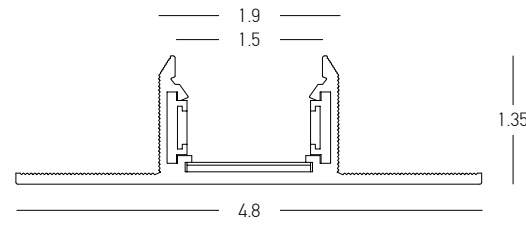


48V ULTRA SLIM MAGNETIC SYSTEM | p.022-035

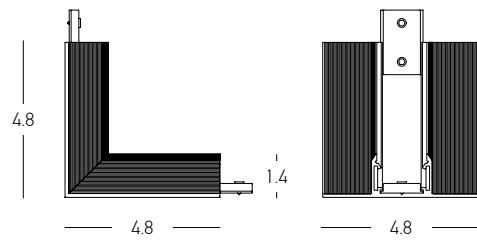




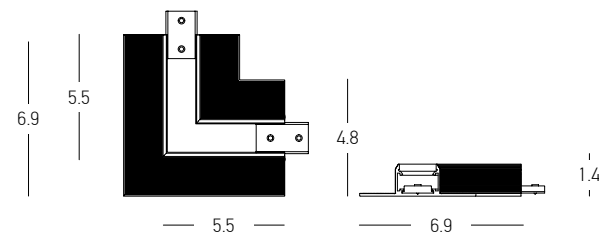
Trimless Slim Magnetic Track : 1m/2m/3m



CORNER 90° (23133)
Vertical Plane



CORNER 90° (23130)
Horizontal Plane



Track Code	Size	Color	Corner Code	Plane	Color
23121	1m	Sandy Black	23133	Vertical	Sandy Black
23122	2m	Sandy Black	23130	Horizontal	Sandy Black
23123	3m	Sandy Black			

Notice : For Vertical corner required also to order 23128 and for Horizontal corner required also to order 23129

Accessories for Trimless Slim Magnetic Track



End Cap
Material Plastic
Color Black / Code 23262

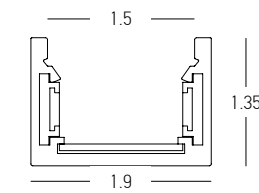


Straight Mechanic Connector
Material Aluminium
Color Black / Code 23263

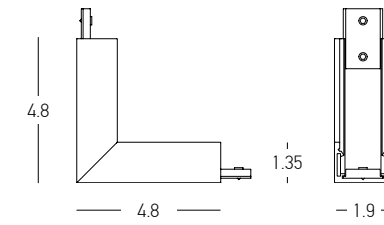


PC Cover 3m
Plastic
Color Black / Code 23125

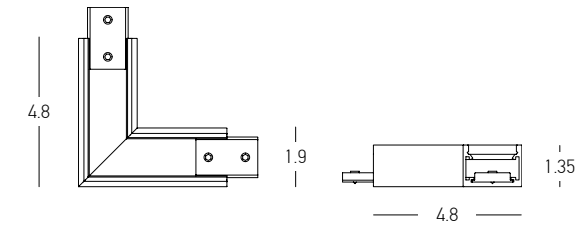
Surface Slim Magnetic Track : 1m/2m/3m



CORNER 90° (23132)
Vertical Plane



CORNER 90° (23131)
Horizontal Plane



Track Code	Size	Color	Corner Code	Plane	Color
23118	1m	Sandy Black	23132	Vertical	Sandy Black
23119	2m	Sandy Black	23131	Horizontal	Sandy Black
23120	3m	Sandy Black			

Notice : For Vertical corner required also to order 23128 and for Horizontal corner required also to order 23129

Accessories for Surface Slim Magnetic Track



End Cap
Material Plastic
Color Black / Code 23262

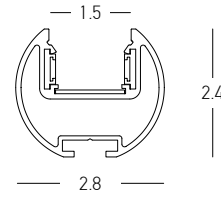


Straight Mechanic Connector
Material Aluminium
Color Black / Code 23263



PC Cover 3m
Plastic
Color Black / Code 23125

Pendant Round Magnetic Track : 2m



Input 48V
 Dimensions L: 200cm Ø: 2.8cm
 Material Aluminium
 Color Black Matt / **Code 23124**

Accessories for Round Magnetic Track



End Cap
 Material Plastic
 Color Black / **Code 23264**



Straight Mechanic Connector
 Material Aluminium
 Color Black / **Code 23263**

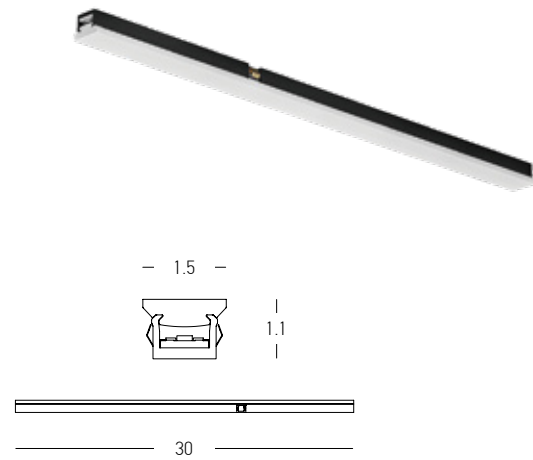


PC Cover 3m
 Material Plastic
 Color Black / **Code 23125**

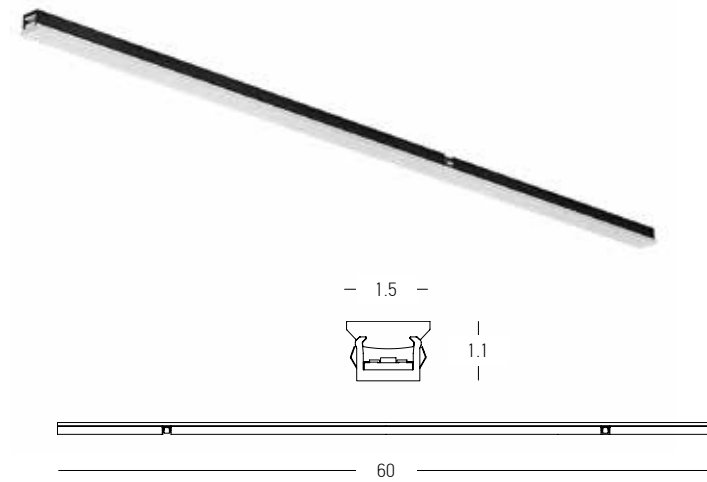


Pendant Kit with Wire 150cm
 Material Metal
 Color Chrome / **Code 23265**

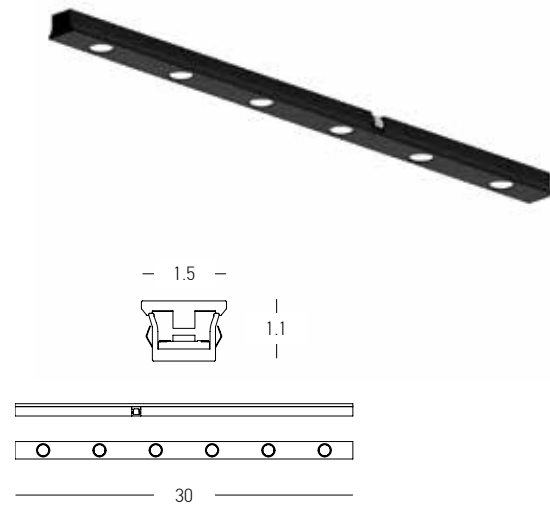




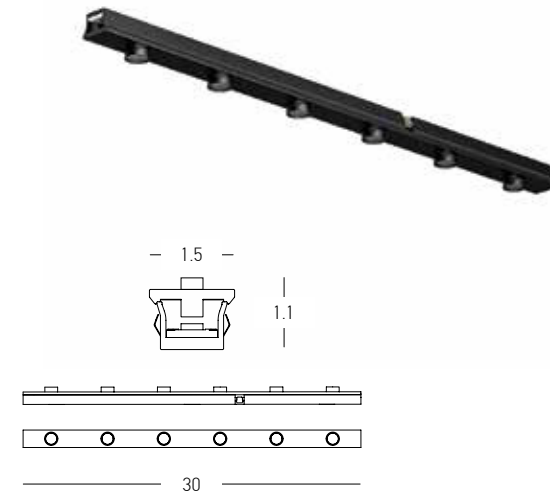
Power 6W
 Input 48V
 Color Temperature 3000K
 Lumen 408Lm
 Cri 90
 Dimensions L: 30cm W: 1.5cm H: 1.1cm
 Beam Angle 110°
 DALI Dimmable ☉
 Material Aluminium - PC Diffuser
 Color Sandy Black / **Code 23110**



Power 12W
 Input 48V
 Color Temperature 3000K
 Lumen 832Lm
 Cri 90
 Dimensions L: 60cm W: 1.5cm H: 1.1cm
 Beam Angle 110°
 DALI Dimmable ☉
 Material Aluminium - PC Diffuser
 Color Sandy Black / **Code 23111**

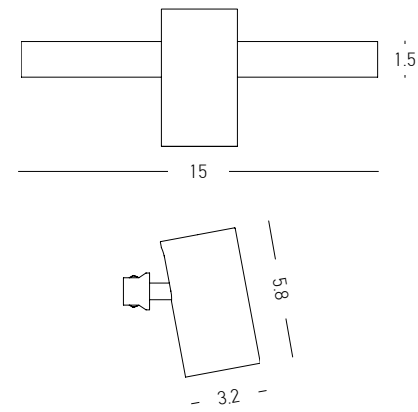


Power 6W
 Input 48V
 Color Temperature 3000K
 Lumen 475Lm
 Cri 90
 Dimensions L: 30cm W: 1.5cm H: 1.1cm
 Beam Angle 36°
 DALI Dimmable ☉
 Material Aluminium
 Color Sandy Black / **Code 23112**

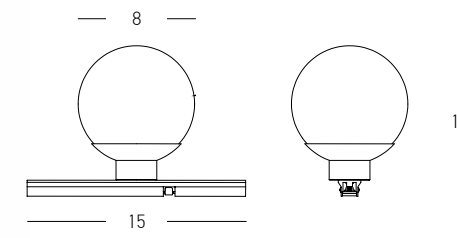


Power 6W
 Input 48V
 Color Temperature 3000K
 Lumen 415Lm
 Cri 90
 Dimensions L: 30cm W: 1.5cm H: 1.1cm
 Beam Angle 36°
 DALI Dimmable ☉
 Material Aluminium
 Color Sandy Black / **Code 23113**

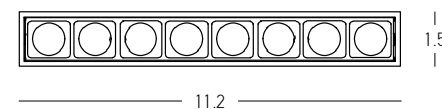
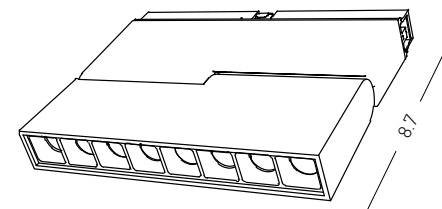




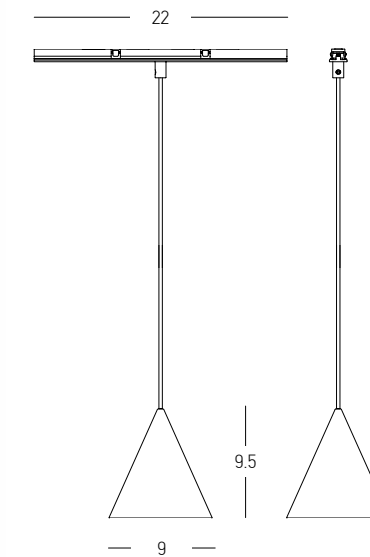
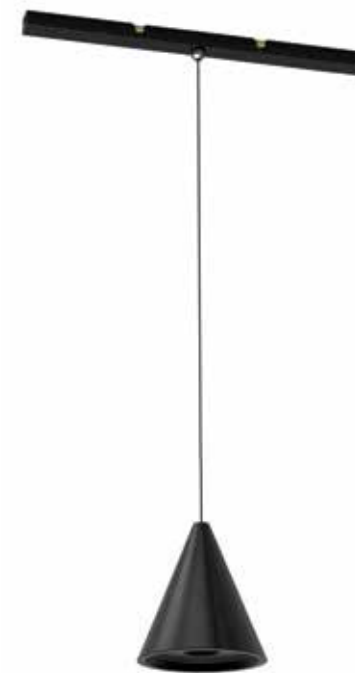
Power 5W
 Input 48V
 Color Temperature 3000K
 Lumen 305Lm
 Cri 90
 Dimensions L: 15cm W: 4-5.8cm H: 4.5-7.5cm
 Spot Dimensions Ø: 3.2cm H: 5.8cm
 Beam Angle 24°
 DALI Dimmable ☉
 Material Aluminium
 Special Feature Movable Spot
 Color Sandy Black / **Code 23114**



Power 3W
 Input 48V
 Color Temperature 3000K
 Lumen 186Lm
 Cri 90
 Dimensions Ø: 8cm
 Beam Angle 340°
 DALI Dimmable ☉
 Material Aluminium - Glass
 Color Sandy Black / **Code 23117**



Power 8W
 Input 48V
 Color Temperature 3000K
 Lumen 554Lm
 Cri 90
 Dimensions L: 11.2cm W: 1.5-4.5cm H: 5.5-8.7cm
 Beam Angle 24°
 DALI Dimmable ☉
 Material Aluminium
 Special Feature Adjustable Grille
 Color Sandy Black / **Code 23115**

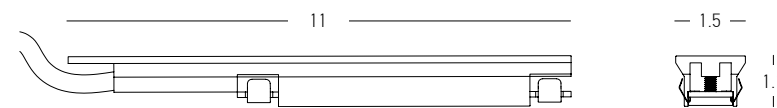


Power 8W
 Input 48V
 Color Temperature 3000K
 Lumen 553Lm
 Cri 90
 Dimensions Ø: 9cm H: 9.5cm
 Beam Angle 36°
 DALI Dimmable ☉
 Material Aluminium
 Special Feature 120cm Cable Available
 Color Sandy Black / **Code 23116**



Accessories for 48V Slim - Round Tracks

Feeder for 48V Slim Tracks



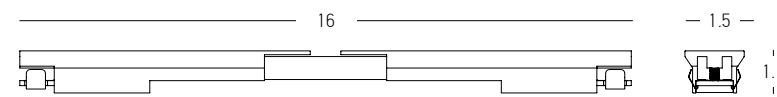
Dimensions L: 11cm W: 1.5cm H: 1.1cm
 Material Aluminium
 Special Feature 150cm Available
 Color Sandy Black / **Code 23126**

Inner Connector for 48V Slim Tracks



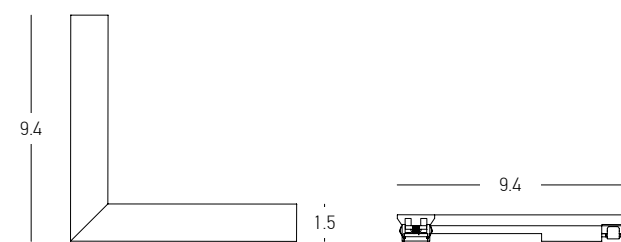
Dimensions L: 11cm W: 1.5cm H: 1.1cm
 Material Aluminium
 Color Sandy Black / **Code 23127**

Flex Connector for 48V Slim Tracks



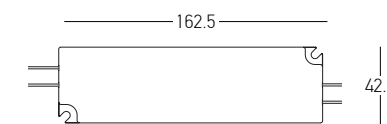
Dimensions L: 16cm W: 1.5cm H: 1.1cm
 Material Aluminium
 Color Sandy Black / **Code 23128**

Corner Connector for 48V Slim Tracks

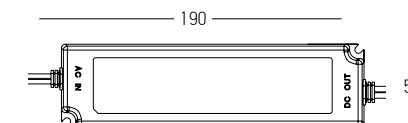


Dimensions L: 9.4cm W: 9.4cm H: 1.1cm
 Material Aluminium
 Color Sandy Black / **Code 23129**

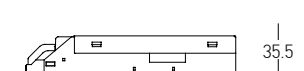
Drivers 48V for Slim - Round Tracks



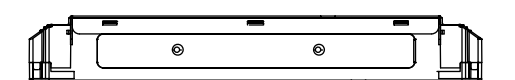
Remote Driver 60W
 48V
 5Years Guarantee
 ON-OFF / **Code 20295**



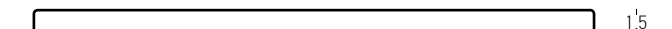
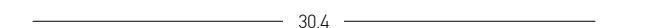
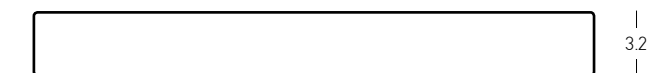
Remote Driver 100W
 48V
 5Years Guarantee
 ON-OFF / **Code 20296**



Remote Driver 150W
 48V
 5Years Guarantee
 ON-OFF / **Code 20297**

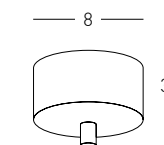


Remote Driver 200W
 48V
 5Years Guarantee
 DALI / **Code 23134**



Driver for Slim - Round Magnetic Tracks
 Power 150W
 Input 220-240 , 50-60Hz
 Output 48V
 Special Feature Integrates Into Track
 Color Black
 Guarantee 2Years

ON-OFF / **Code 23159**

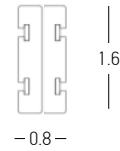
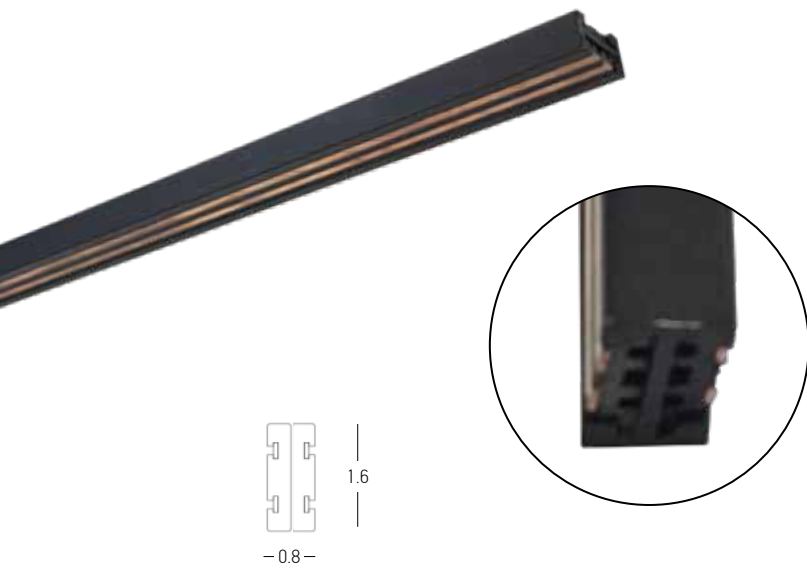


Ceiling Base
 Dimensions Ø: 8cm H: 3.5cm
 Material Metal
 Color Sandy Black / **Code 23280**



24V FLEXIBLE CURVED SYSTEM | p.036-043

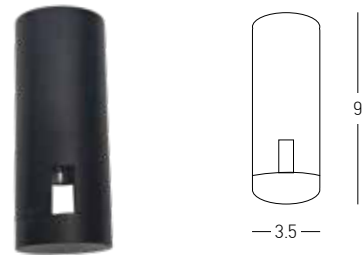




Flexible Track : 2m | 3m

Input 24V
 Dimensions L: 200cm W: 0.8cm H: 1.6cm
 Material Aluminium
 Color Sandy Black / **Code 23178**

Input 24V
 Dimensions L: 300cm W: 0.8cm H: 1.6cm
 Material Aluminium
 Color Sandy Black / **Code 23177**



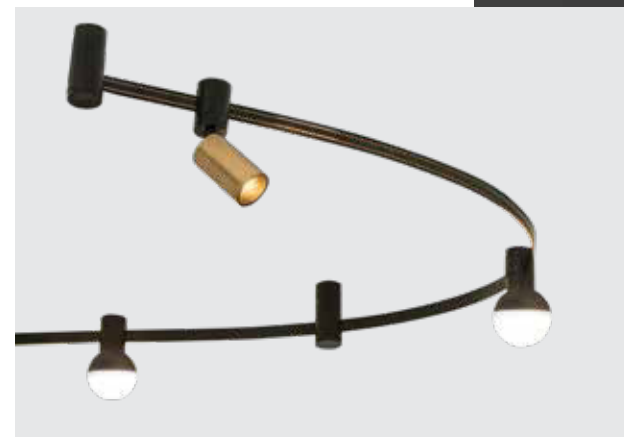
Ceiling Base for 24V Flexible Track

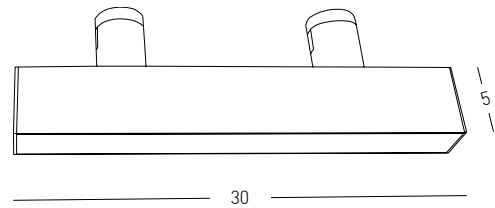
Dimensions Ø: 3.5cm H: 9cm
 Material Aluminium
 Color Sandy Black / **Code 23179**



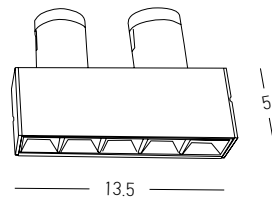
Track Connector for 24V Flexible Track

Dimensions L: 5cm W: 2cm H: 3.3cm
 Material Aluminium
 Color Sandy Black / **Code 23180**

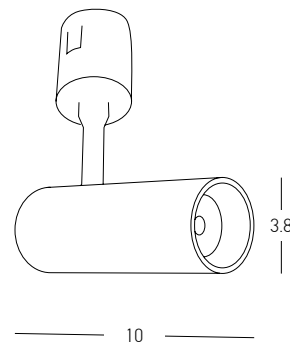




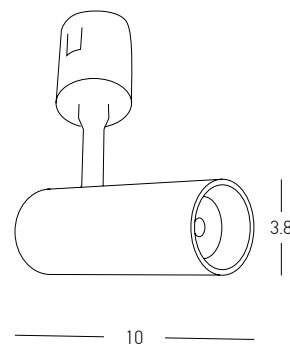
Power 10W
 Input 24V
 Color Temperature 3000K
 Lumen 832Lm
 Cri 90
 Dimensions L: 30cm W: 3.4cm H: 5cm
 Beam Angle 120°
 DALI Dimmable ☉
 Material Aluminium - PC Diffuser
 Special Feature This light can also be used as connector between 2 tracks
 Color Sandy Black / **Code 23182**



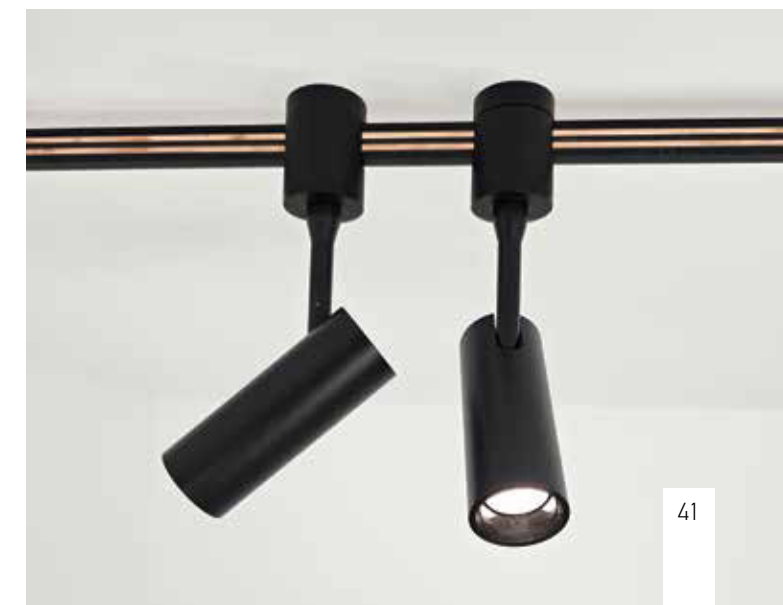
Power 10W
 Input 24V
 Color Temperature 3000K
 Lumen 795Lm
 Cri 90
 Dimensions L: 13.5cm W: 3.4cm H: 5cm
 Beam Angle 40°
 DALI Dimmable ☉
 Material Aluminium - Acrylic
 Color Sandy Black / **Code 23183**

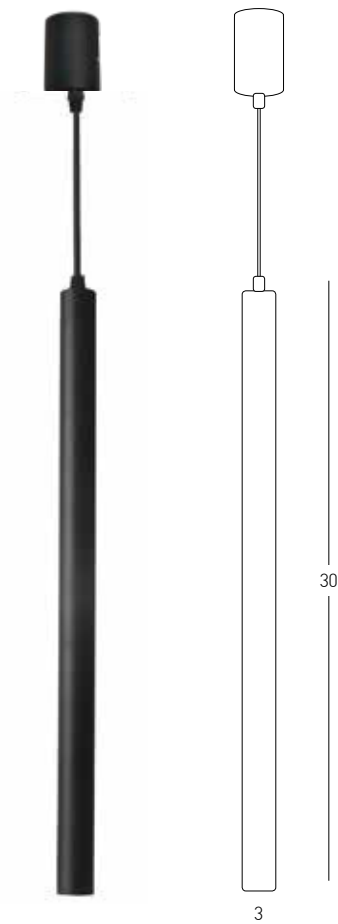


Power 5W
 Input 24V
 Color Temperature 3000K
 Lumen 378Lm
 Cri 80
 Dimensions Ø: 3.8cm H: 10cm
 Beam Angle 36°
 DALI Dimmable ☉
 Material Aluminium
 Color Sandy Black / **Code 23184**

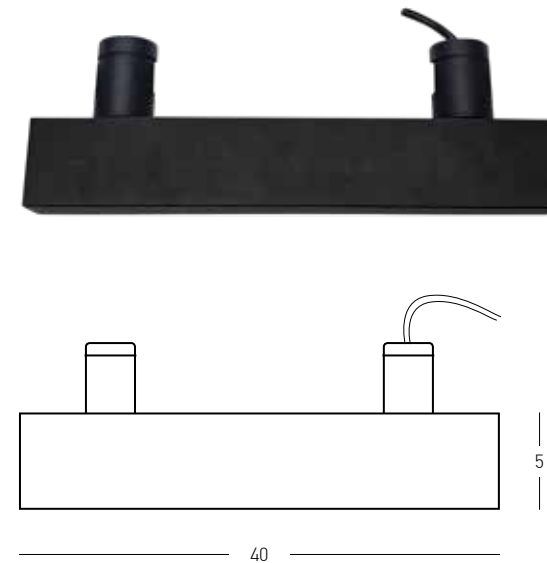


Power 5W
 Input 24V
 Color Temperature 3000K
 Lumen 378Lm
 Cri 80
 Dimensions Ø: 3.8cm H: 10cm
 Beam Angle 36°
 DALI Dimmable ☉
 Material Aluminium
 Color Gold Matt / **Code 23185**





Power 6W
 Input 24V
 Color Temperature 3000K
 Lumen 470Lm
 Cri 90
 Dimensions Ø: 3cm H: 30cm
 Beam Angle 40°
 DALI Dimmable
 Material Aluminium
 Special Feature 120cm Cable Adjustable
 Color Sandy Black / **Code 23186**



Box with DALI Driver for 24V Flexible Track

Power 150W
 Input 220-240, 50-60Hz
 Output 24V
 Dimensions L: 40cm W: 3.5cm H: 5cm
 DALI Dimmable
 Material Metal
 Special Feature 100cm Cable Available
 Included Ceiling Base
 D: 8cm for Wire Connection
 Color Sandy Black / **Code 23181**

Power 60W
 Input 220-240V, 50/60Hz
 Output 24V
 Dimensions W: 4.1cm H: 3.1cm L: 20.1cm
 Non Dimmable On-Off
 ELEMENT 60/220-240/24 G2
 Material Plastic
 Special Feature IP 20
 Color White / **Code 4052899605527**

Power 120W
 Input 220-240V, 50/60Hz
 Output 24V
 Dimensions W: 4.1cm H: 3.1cm L: 26cm
 Non Dimmable On-Off
 ELEMENT 120/220-240/24 G2
 Material Plastic
 Special Feature IP 20
 Color White / **Code 4052899605541**



OSRAM



OSRAM

Power 180W
 Input 220-240V, 50/60Hz
 Output 24V
 Dimensions W: 4cm H: 3.1cm L: 30cm
 Non Dimmable On-Off
 ELEMENT 180/220-240/24 G2
 Material Plastic
 Special Feature IP 20
 Color White / **Code 4052899605565**

OSRAM

Power 250W
 Input 220-240V, 50/60Hz
 Output 24V
 Dimensions W: 3.5cm H: 5cm L: 37.5cm
 Non Dimmable On-Off
 ELEMENT 250/220-240/24 G2
 Material Plastic
 Special Feature IP 20
 Color White / **Code 4062172333467**

OSRAM



Power 5W
 Input 24V
 Color Temperature 3000K
 Lumen 281Lm
 Cri 80
 Dimensions Ø: 6cm
 DALI Dimmable
 Material Aluminium
 Color Sandy Black / **Code 23187**
 Color Gold Matt / **Code 23188**

Feeder for Remote Driver Application

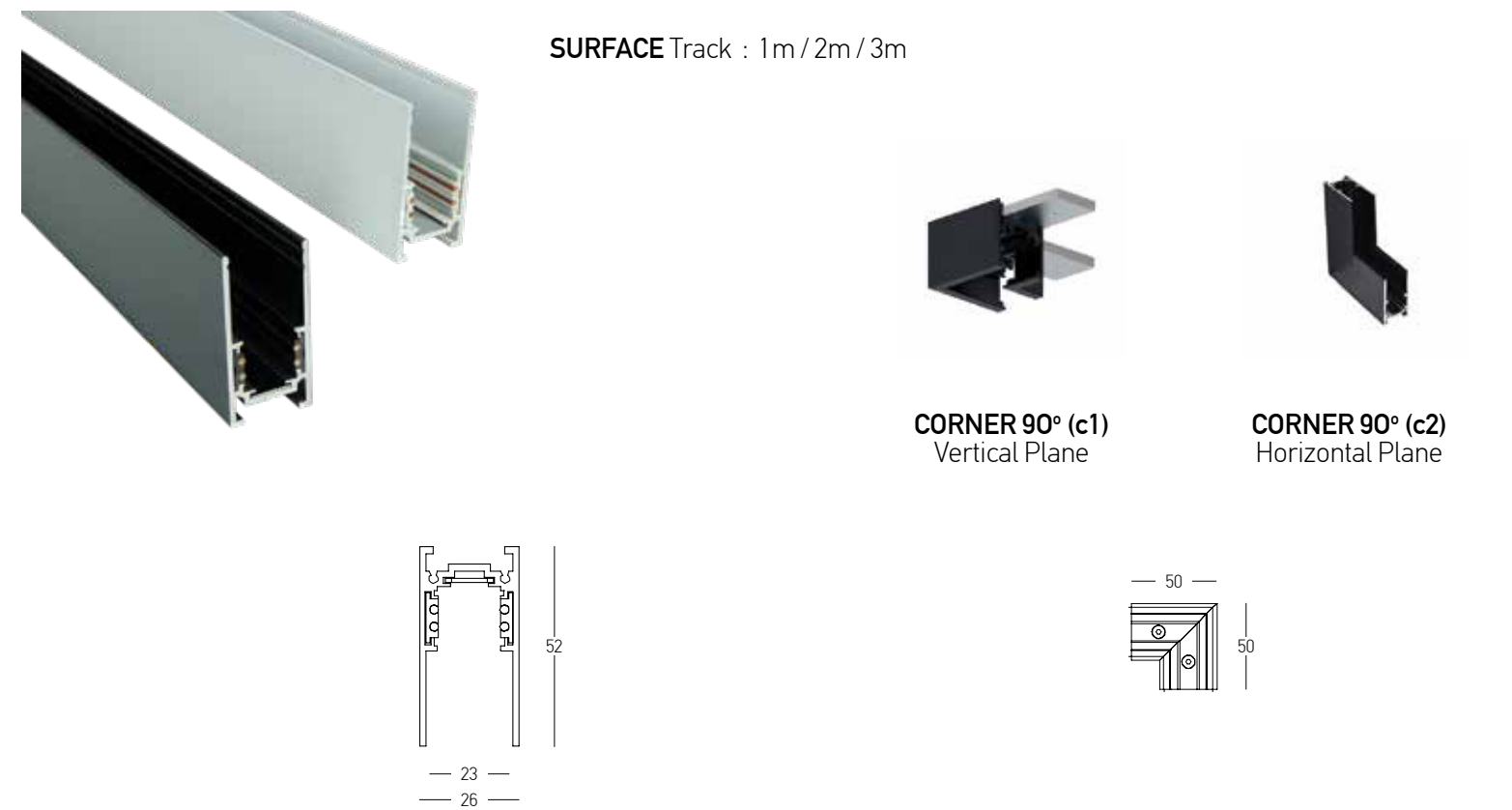
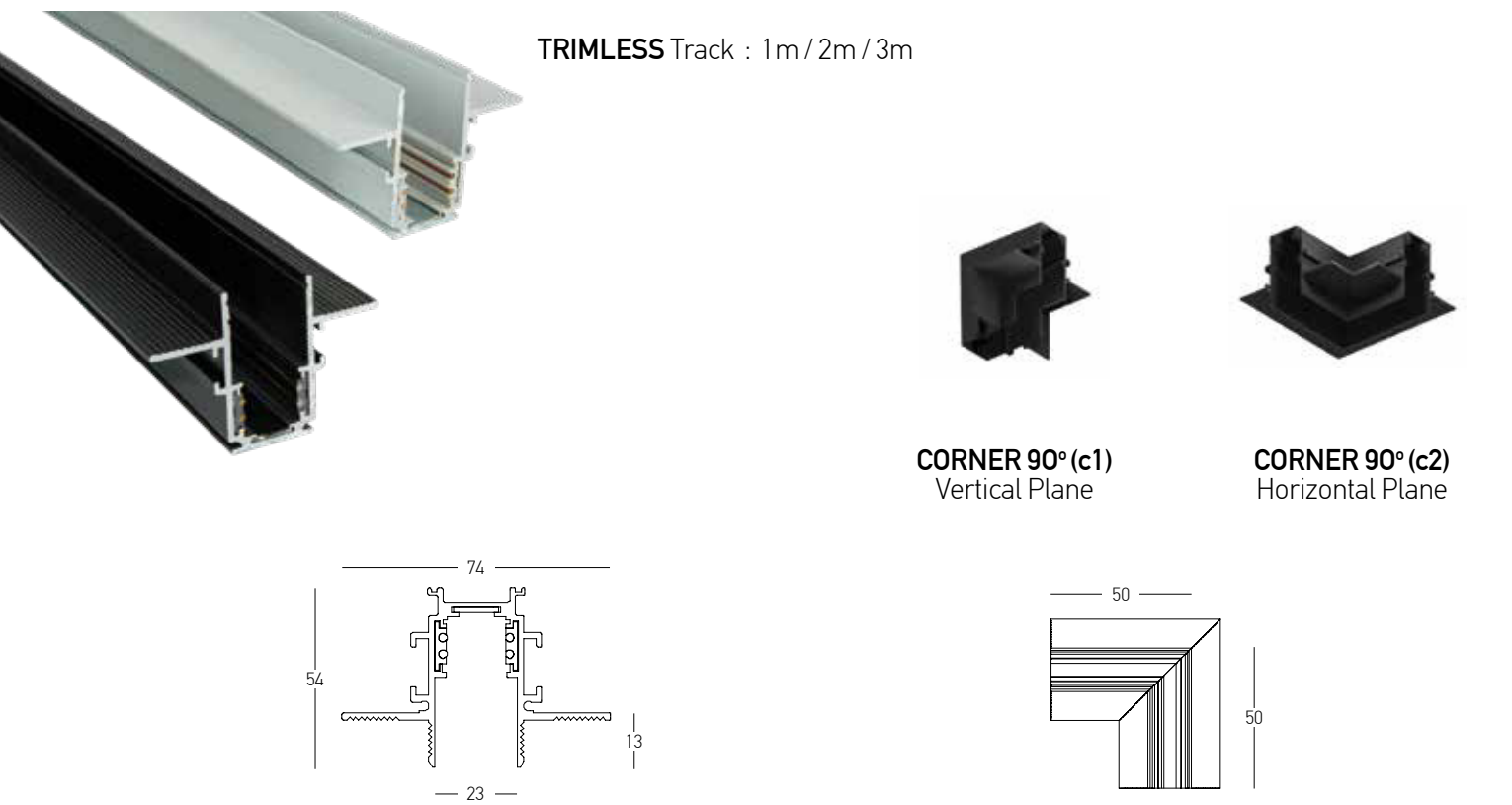
Input 24V
 Dimensions Ø: 3.5cm H: 4.7cm
 Material Metal
 Special Feature 100cm Cable Available
 Included Ceiling Base
 D: 8cm for Wire Connection
 Color Sandy Black / **Code 23189**



48V LINEAR MAGNETIC SYSTEM | p.044-077







Track Code	Size	Color	Corner Code	Plane	Color
2083B-1	1m	Sandy Black	2083B-C1	Vertical	Sandy Black
2083W-1	1m	Sandy White	2083W-C1	Vertical	Sandy White
2083B-2	2m	Sandy Black	2083B-C2	Horizontal	Sandy Black
2083W-2	2m	Sandy White	2083W-C2	Horizontal	Sandy White
2083B-3	3m	Sandy Black			
2083W-3	3m	Sandy White			

Notice : For corners type C1 required also to order 20105 and for type C2 20104

Track Code	Size	Color	Corner Code	Plane	Color
2082B-1	1m	Sandy Black	2082B-C1	Vertical	Sandy Black
2082W-1	1m	Sandy White	2082W-C1	Vertical	Sandy White
2082B-2	2m	Sandy Black	2082B-C2	Horizontal	Sandy Black
2082W-2	2m	Sandy White	2082W-C2	Horizontal	Sandy White
2082B-3	3m	Sandy Black			
2082W-3	3m	Sandy White			

Notice : For corners type C1 required also to order 20105 and for type C2 20104

Accessories for Track 2083



Accessories for Track 2082





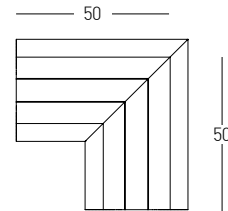
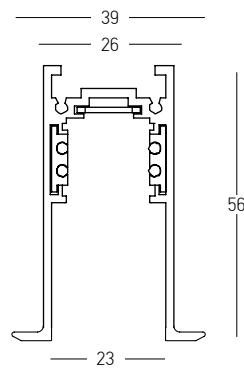
RECESSED Track : 1m / 2m / 3m



CORNER 90° (c1)
Vertical Plane



CORNER 90° (c2)
Horizontal Plane



Track Code	Size	Color	Corner Code	Plane	Color
2084B-1	1m	Sandy Black	2084B-C1	Vertical	Sandy Black
2084W-1	1m	Sandy White	2084W-C1	Vertical	Sandy White
2084B-2	2m	Sandy Black	2084B-C2	Horizontal	Sandy Black
2084W-2	2m	Sandy White	2084W-C2	Horizontal	Sandy White
2084B-3	3m	Sandy Black			
2084W-3	3m	Sandy White			

Notice : For corners type C1 required also to order 20105 and for type C2 20104

Accessories for Track 2084



End Cap
Material Metal
Color Black / Code 20108-1B
Color White / Code 20108-1W



End Cap
Material Metal
Color Black / Code 20108-B
Color White / Code 20108-W



Recessed Accessorie Kit (2pcs)
Material Stainless Steel
Code 20106



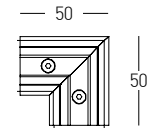
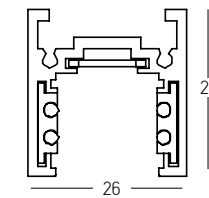
SURFACE SHORT Track : 1m / 2m / 3m



CORNER 90° (c1)
Vertical Plane



CORNER 90° (c2)
Horizontal Plane



Track Code	Size	Color	Corner Code	Plane	Color
2085B-1	1m	Sandy Black	2085B-C1	Vertical	Sandy Black
2085W-1	1m	Sandy White	2085W-C1	Vertical	Sandy White
2085B-2	2m	Sandy Black	2085B-C2	Horizontal	Sandy Black
2085W-2	2m	Sandy White	2085W-C2	Horizontal	Sandy White
2085B-3	3m	Sandy Black			
2085W-3	3m	Sandy White			

Notice : For corners type C1 required also to order 20105 and for type C2 20104

Accessories for Track 2085



End Cap
Material Plastic
Color Black / Code 20101-B
Color White / Code 20101-W



Suspension Kit (2pcs) / Adjustable Wire 2m
Material Aluminium
Code 20102



Straight Mechanic Connector
Material Aluminium
Code 2097

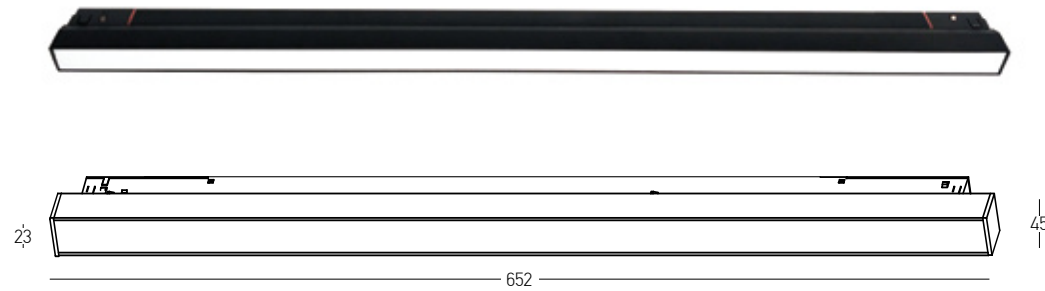


Power 12W
 Input 48V
 Color Temperature 3000K
 Lumen 779Lm
 Cri 80
 Dimensions L: 328mm W: 23mm H: 45mm
 Beam Angle 120°
 DALI Dimmable
 Material Aluminium - PC Diffuser
 Color Sandy Black / **Code 2087**

OSRAM

Power 12W
 Input 48V
 Color Temperature 3000K
 Lumen 779Lm
 Cri 80
 Dimensions L: 328mm W: 23mm H: 45mm
 Beam Angle 120°
 Non Dimmable
 Material Aluminium - PC Diffuser
 Color Sandy Black / **Code 2086**

OSRAM



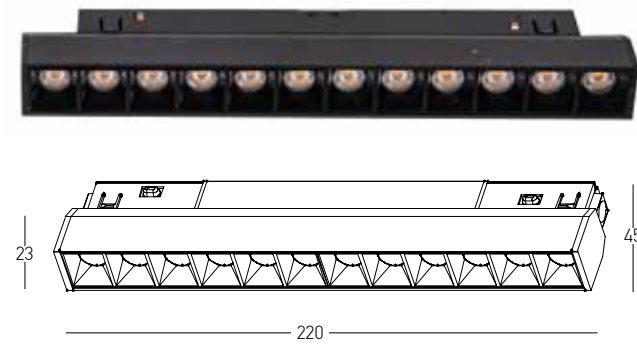
Power 20W
 Input 48V
 Color Temperature 2700K | 3000K | 4000K
 Lumen 1655Lm | 1669Lm | 1897Lm
 Cri 80
 Dimensions L: 652mm W: 23mm H: 45mm
 Beam Angle 120°
 DALI Dimmable
 Material Aluminium - PC Diffuser
 Color 3000K Sandy Black / **Code 2089**
 Color 4000K Sandy Black / **Code 2089-4B**
 Color 2700K Sandy Black / **Code 2089-27B**

OSRAM

Power 20W
 Input 48V
 Color Temperature 3000K
 Lumen 1669Lm
 Cri 80
 Dimensions L: 652mm W: 23mm H: 45mm
 Beam Angle 120°
 Non Dimmable
 Material Aluminium - PC Diffuser
 Color Sandy Black / **Code 2088**

OSRAM



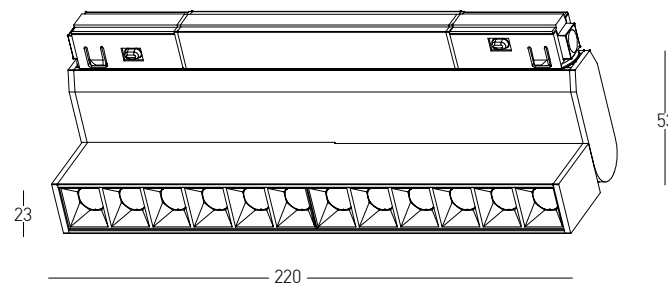


Power 8W
 Input 48V
 Color Temperature 2700K | 3000K | 4000K
 Lumen 675Lm | 693Lm | 713Lm
 Cri 80
 Dimensions L: 220mm W: 23mm H: 45mm
 Beam Angle 30°
 DALI Dimmable
 Material Aluminium - Acrylic
 Color 3000K Sandy Black / **Code 2091**
 Color 4000K Sandy Black / **Code 2091-4B**
 Color 2700K Sandy Black / **Code 2091-27B**

OSRAM

Power 8W
 Input 48V
 Color Temperature 3000K
 Lumen 693Lm
 Cri 80
 Dimensions L: 220mm W: 23mm H: 45mm
 Beam Angle 30°
 Non Dimmable
 Material Aluminium - Acrylic
 Color Sandy Black / **Code 2090**

OSRAM



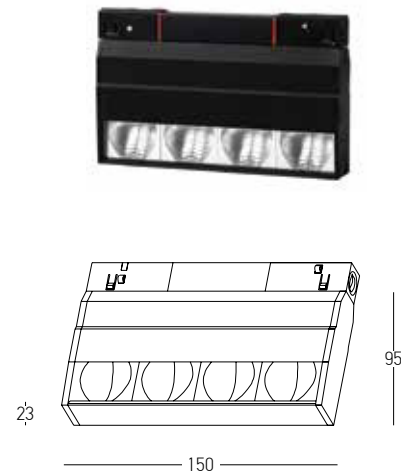
Power 12W
 Input 48V
 Color Temperature 3000K
 Lumen 1021Lm
 Cri 80
 Dimensions L: 220mm W: 23mm H: 53mm
 Beam Angle 30°
 DALI Dimmable
 Material Aluminium - Acrylic
 Color Sandy Black / **Code 20291**

OSRAM

Power 12W
 Input 48V
 Color Temperature 3000K
 Lumen 1021Lm
 Cri 80
 Dimensions L: 220mm W: 23mm H: 53mm
 Beam Angle 30°
 Non Dimmable
 Material Aluminium - Acrylic
 Color Sandy Black / **Code 20290**

OSRAM





Power 10W
 Input 48V
 Color Temperature 3000K
 Lumen 945Lm
 Cri 80
 Dimensions L: 150mm W: 23mm H: 95mm
 Beam Angle Asymmetric 50°
 DALI Dimmable
 Material Aluminium - Acrylic
 Color Sandy Black / **Code 2092-D**

OSRAM

Power 10W
 Input 48V
 Color Temperature 3000K
 Lumen 945Lm
 Cri 80
 Dimensions L: 150mm W: 23mm H: 95mm
 Beam Angle Asymmetric 50°
 Non Dimmable
 Material Aluminium - Acrylic
 Color Sandy Black / **Code 2092**

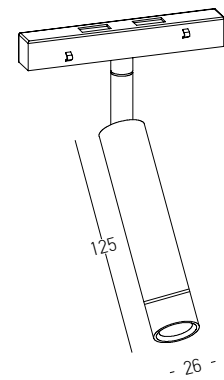
OSRAM





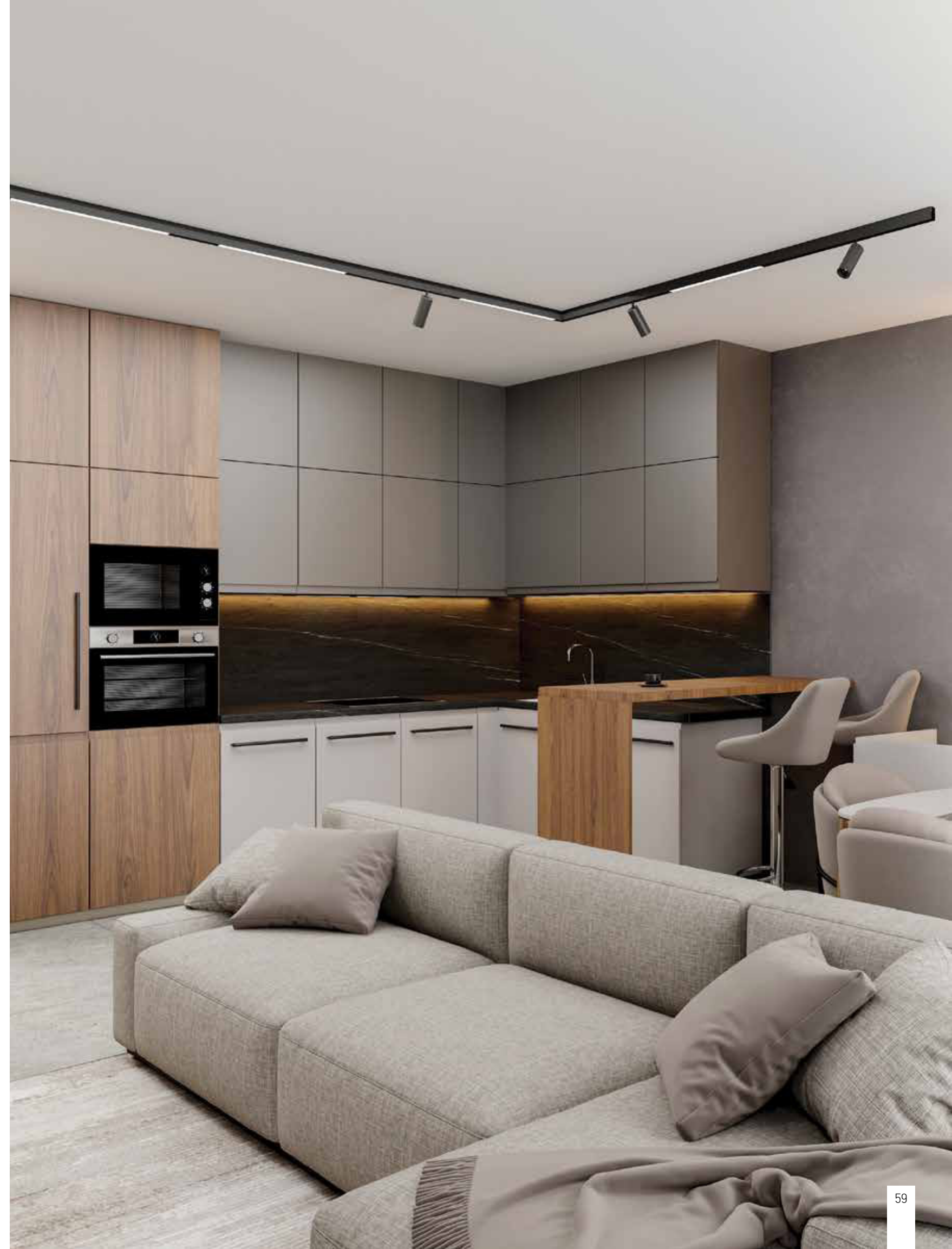
Power 5W
 Input 48V
 Color Temperature 3000K
 Lumen 414Lm
 Cri 80
 Dimensions Ø: 26mm H: 125mm
 Beam Angle 24°
 DALI Dimmable
 Material Aluminium
 Color Sandy Black / **Code 2094**

[CREE ⇄](#)



Power 5W
 Input 48V
 Color Temperature 3000K
 Lumen 414Lm
 Cri 80
 Dimensions Ø: 26mm H: 125mm
 Beam Angle 24°
 Non Dimmable
 Material Aluminium
 Color Sandy Black / **Code 2093**

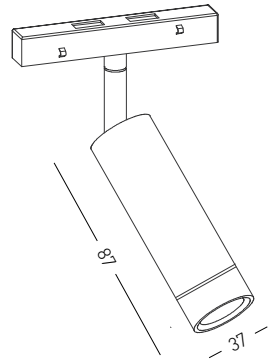
[CREE ⇄](#)





Power 7W
 Input 48V
 Color Temperature 2700K | 3000K
 Lumen 565Lm | 580Lm
 Cri 80
 Dimensions Ø: 37mm H: 87mm
 Beam Angle 32°
 DALI Dimmable
 Material Aluminium
 Color 3000K Sandy Black / Code 20400-BD
 Color 2700K Sandy Black / Code 20407-BD

CREE ⇨



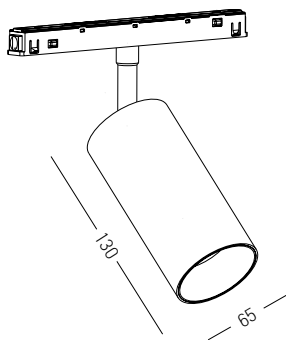
Power 7W
 Input 48V
 Color Temperature 3000K | 4000K
 Lumen 580Lm | 605Lm
 Cri 80
 Dimensions Ø: 37mm H: 87mm
 Beam Angle 32°
 Non Dimmable
 Material Aluminium
 Color 3000K Sandy Black / Code 20402-B
 Color 4000K Sandy Black / Code 20406

CREE ⇨



Power 15W
 Input 48V
 Color Temperature 3000K | 4000K
 Lumen 1284Lm | 1312Lm
 Cri 80
 Dimensions Ø: 65mm H: 130mm
 Beam Angle 24°
 DALI Dimmable
 Material Aluminium
 Color 3000K Sandy Black / Code 20413
 Color 4000K Sandy Black / Code 20415

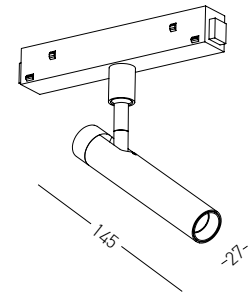
CREE ⇨



Power 15W
 Input 48V
 Color Temperature 3000K | 4000K
 Lumen 1284Lm | 1312Lm
 Cri 80
 Dimensions Ø: 65mm H: 130mm
 Beam Angle 24°
 Non Dimmable
 Material Aluminium
 Color 3000K Sandy Black / Code 20410
 Color 4000K Sandy Black / Code 20411

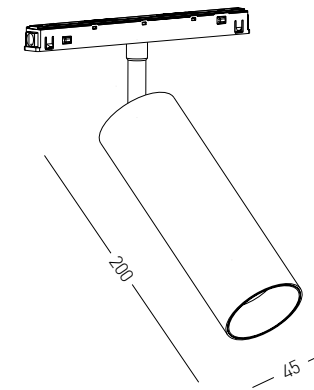
CREE ⇨





Power 5W
 Input 48V
 Color Temperature 3000K
 Lumen 363Lm
 Cri 80
 Dimensions \varnothing : 27mm H: 145mm
 Beam Angle 24°
 Non Dimmable
 Material Aluminium
 Color Sandy Black / **Code 20179**
 Color Gold / **Code 20180**

OSRAM

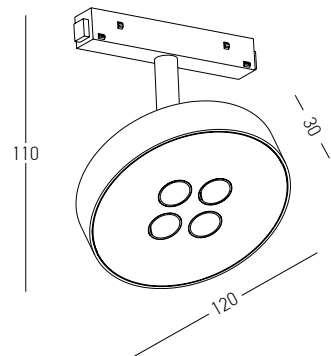


Power 15W
 Input 48V
 Color Temperature 3000K
 Lumen 1225Lm
 Cri 80
 Dimensions \varnothing : 45mm H: 200mm
 Beam Angle 24°
 DALI Dimmable
 Material Aluminium
 Color Sandy Black / **Code 2095-D**

CREE

Power 15W
 Input 48V
 Color Temperature 3000K
 Lumen 1225Lm
 Cri 80
 Dimensions \varnothing : 45mm H: 200mm
 Beam Angle 24°
 Non Dimmable
 Material Aluminium
 Color Sandy Black / **Code 2095**

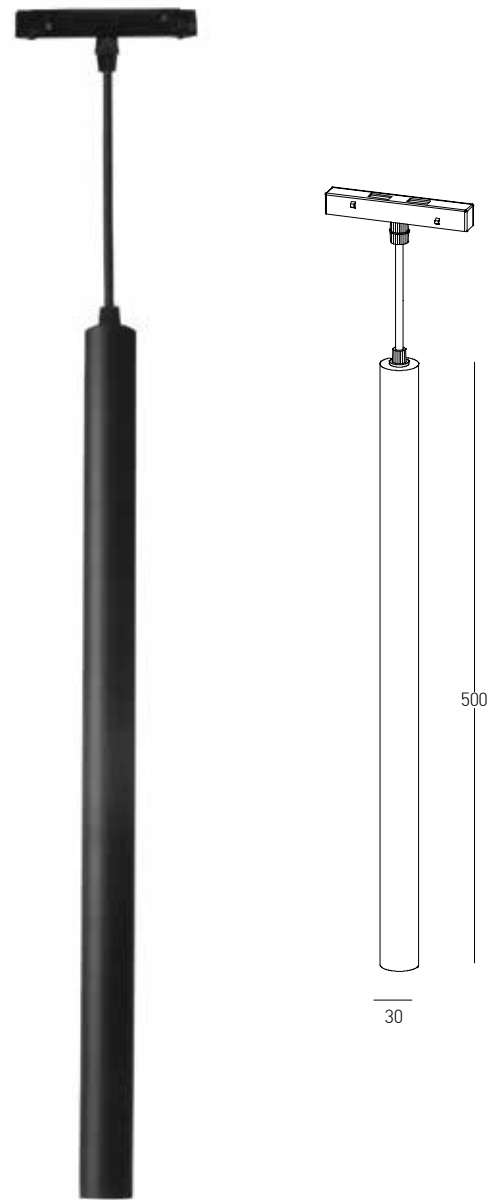
CREE



Power 12W
 Input 48V
 Color Temperature 3000K
 Lumen 763Lm
 Cri 80
 Dimensions \varnothing : 120mm H: 110mm
 Beam Angle 38°
 Non Dimmable
 Material Aluminium
 Color Sandy Black / **Code 20177**
 Color Sandy White / **Code 20178**

OSRAM





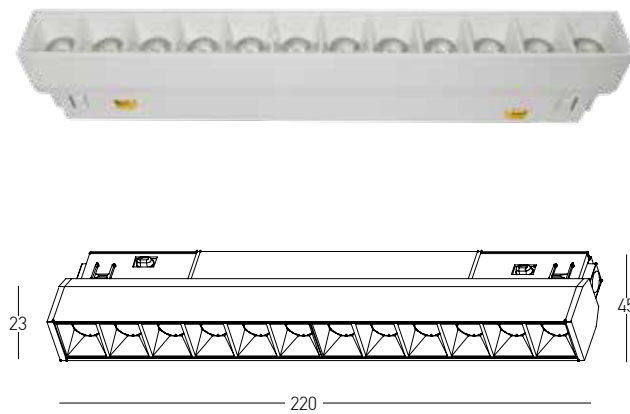
Power 7W
 Input 48V
 Color Temperature 3000K
 Lumen 431Lm
 Cri 80
 Dimensions Ø: 30mm H: 500mm
 Beam Angle 24°
 DALI Dimmable
 Material Aluminium
 Special Feature 100cm Cable Adjustable
 Color Sandy Black / **Code 2081-D**
 Color Sandy White / **Code 2081-WD**

[CREE ⇨](#)

Power 7W
 Input 48V
 Color Temperature 3000K
 Lumen 431Lm
 Cri 80
 Dimensions Ø: 30mm H: 500mm
 Beam Angle 24°
 Non Dimmable
 Material Aluminium
 Special Feature 100cm Cable Adjustable
 Color Sandy Black / **Code 2081**
 Color Sandy White / **Code 2081-W**

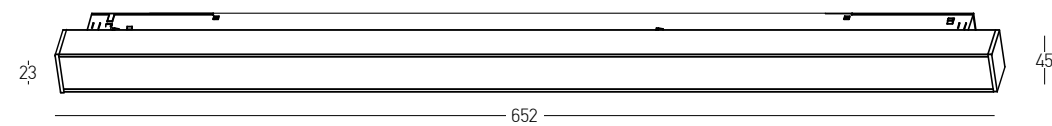
[CREE ⇨](#)





Power 8W
 Input 48V
 Color Temperature 3000K
 Lumen 693Lm
 Cri 80
 Dimensions L: 220mm W: 23mm H: 45mm
 Beam Angle 30°
 DALI Dimmable
 Material Aluminium - Acrylic
 Color Sandy White / Code 2091-3W

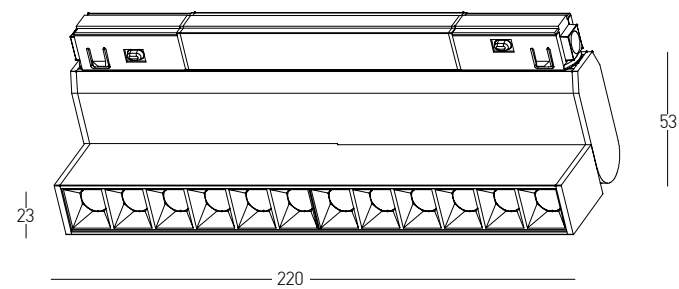
OSRAM



Power 20W
 Input 48V
 Color Temperature 3000K | 4000K
 Lumen 1669Lm | 1897Lm
 Cri 80
 Dimensions L: 652mm W: 23mm H: 45mm
 Beam Angle 120°
 DALI Dimmable
 Material Aluminium - PC Diffuser
 Color 3000K Sandy White / Code 2089-3W
 Color 4000K Sandy White / Code 2089-4W

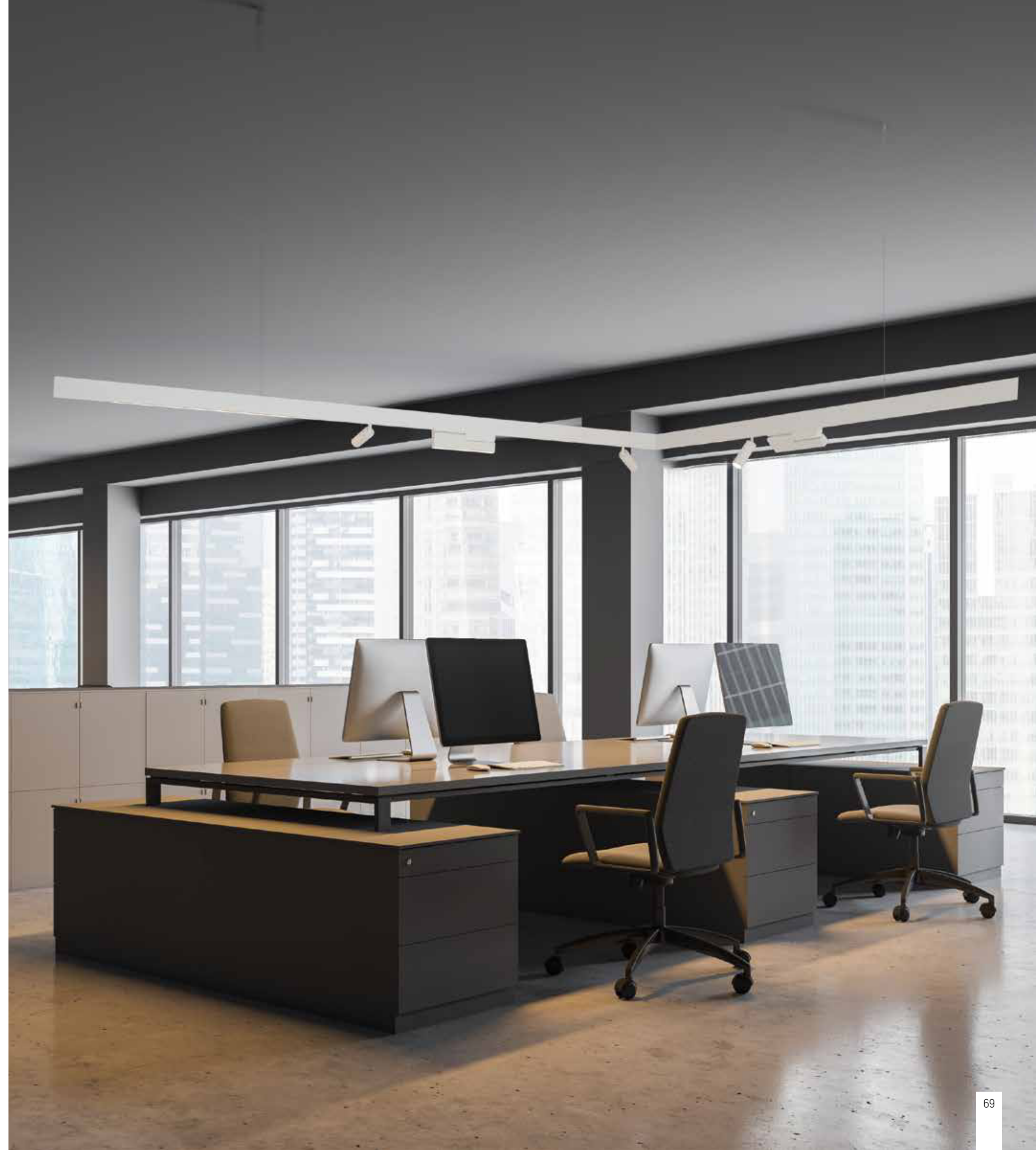
OSRAM





Power	12W
Input	48V
Color Temperature	3000K
Lumen	1021Lm
Cri	80
Dimensions	L: 220mm W: 23mm H: 53mm
Beam Angle	30°
DALI Dimmable	○
Material	Aluminium - Acrylic
Color	Sandy White / Code 20291-W

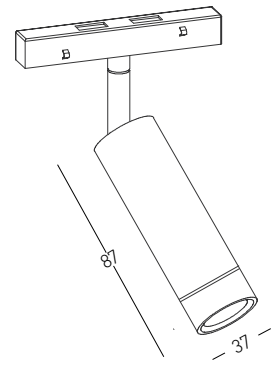
OSRAM





Power 7W
 Input 48V
 Color Temperature 3000K | 4000K
 Lumen 580Lm | 605Lm
 Cri 80
 Dimensions Ø: 37mm H: 87mm
 Beam Angle 32°
 DALI Dimmable
 Material Aluminium
 Color 3000K Sandy White / Code 20401-WD
 Color 4000K Sandy White / Code 20404

[CREE ⇨](#)



Power 7W
 Input 48V
 Color Temperature 3000K | 4000K
 Lumen 580Lm | 605Lm
 Cri 80
 Dimensions Ø: 37mm H: 87mm
 Beam Angle 32°
 Non Dimmable
 Material Aluminium
 Color 3000K Sandy White / Code 20403-W
 Color 4000K Sandy White / Code 20405

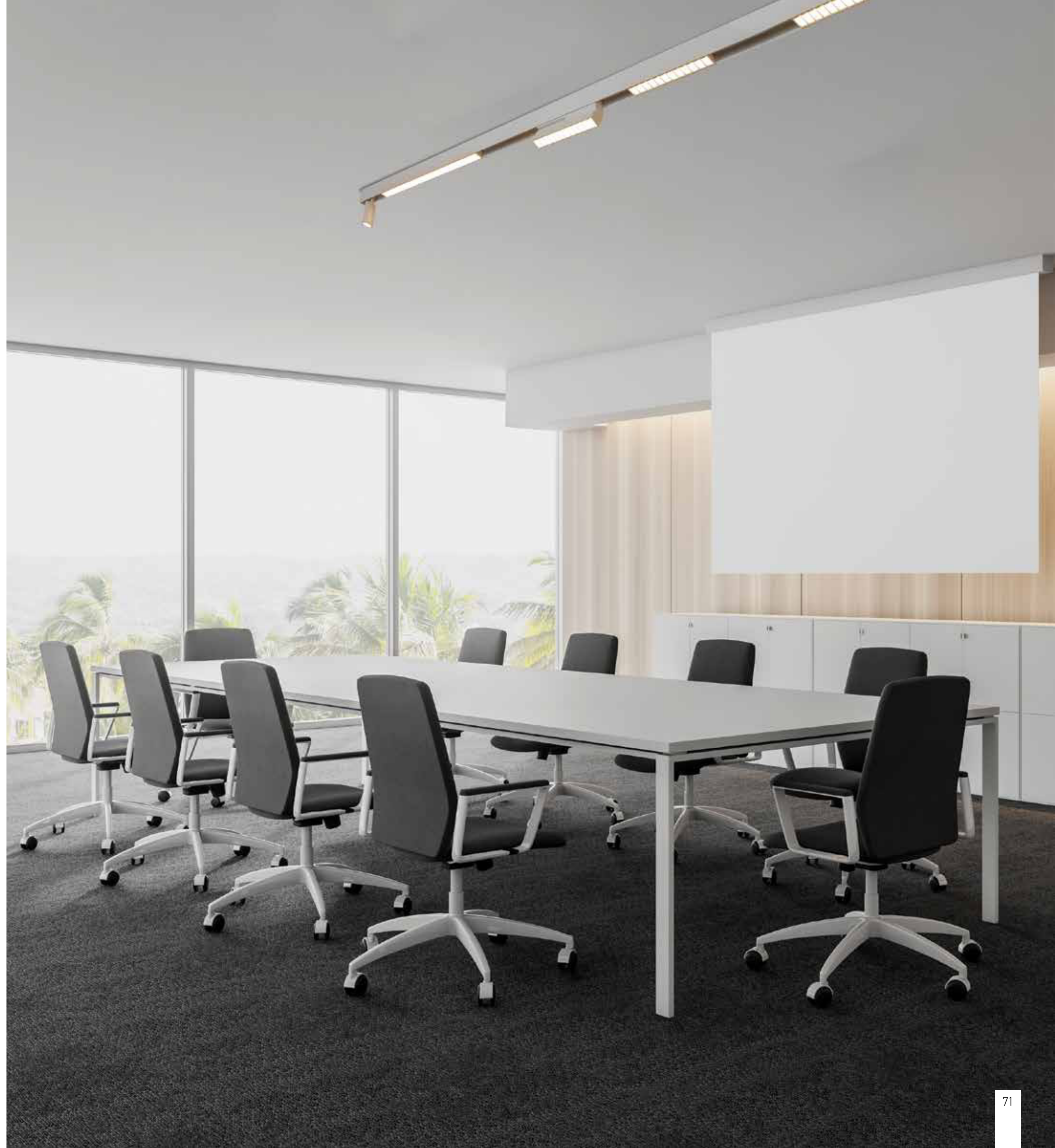
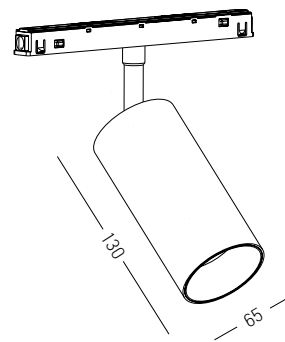
[CREE ⇨](#)



Power 15W
 Input 48V
 Color Temperature 3000K | 4000K
 Lumen 1284Lm | 1312Lm
 Cri 80
 Dimensions Ø: 65mm H: 130mm
 Beam Angle 24°
 DALI Dimmable
 Material Aluminium

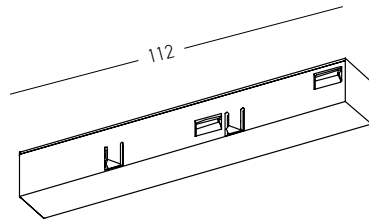
Color 3000K Sandy White / Code 20412
 Color 4000K Sandy White / Code 20414

[CREE ⇨](#)

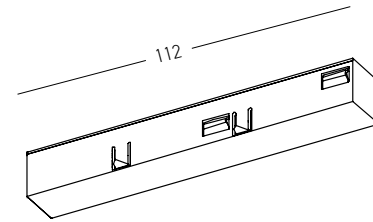


Accessories for All Tracks

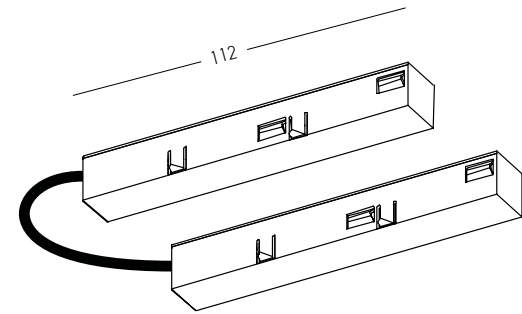
Color : Black (RAL 9005)



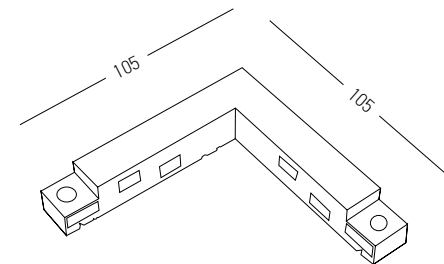
Feeder for 48V Magnetic Tracks
30cm Cable Available
Code 2096 / Color Black
Code 2096-W / Color White



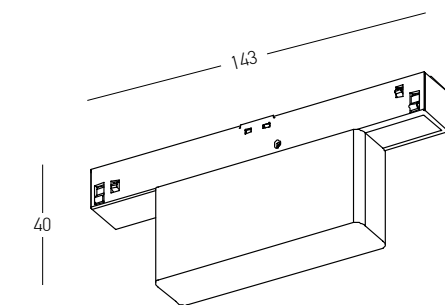
Feeder for 48V Magnetic Tracks
200cm Cable Available
Code 2096-2M / Color Black
Code 2096-W2M / Color White



Flex Connector with Cable for 48V Magnetic Tracks
Code 20105 / Color Black
Code 20105-W / Color White

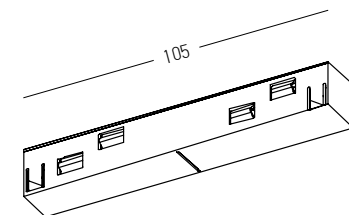


Corner Connector for 48V Magnetic Tracks
Code 20104 / Color Black
Code 20104-W / Color White



Wireless Control for 48V Magnetic Tracks
Bluetooth DALI
Code 20293

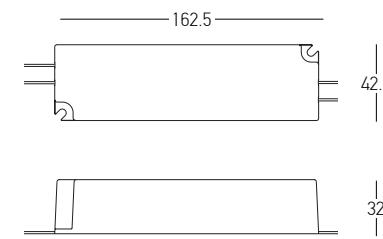
Power by :
CASAMBI
Available App on :



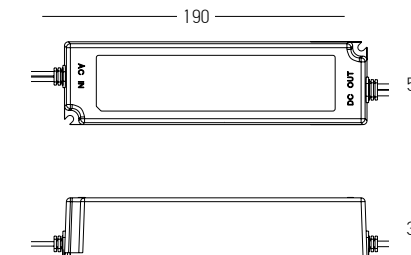
Inner Connector for 48V Magnetic Tracks
Code 20103 / Color Black
Code 20103-W / Color White

*Dimensions Indicated In Millimeters

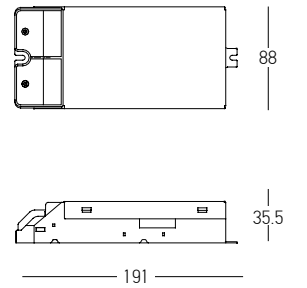
Remote Drivers



Remote Driver 60W
48V
5Years Guarantee
ON-OFF / **Code 20295**
DALI KIT / **Code 20322**
PUSH BUTTON KIT / **Code 20300**
BLUETOOTH KIT / **Code 20303**



Remote Driver 100W
48V
5Years Guarantee
ON-OFF / **Code 20296**
DALI KIT / **Code 20298**
PUSH BUTTON KIT / **Code 20301**
BLUETOOTH KIT / **Code 20304**



Remote Driver 150W
48V
5Years Guarantee
ON-OFF / **Code 20297**
DALI KIT / **Code 20299**
PUSH BUTTON KIT / **Code 20302**
BLUETOOTH KIT / **Code 20305**

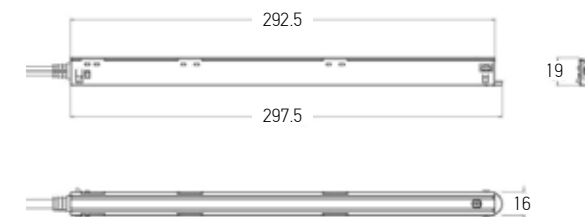
Integrated Drivers



MAGNETIC TRACK 2085



MAGNETIC TRACK 2082



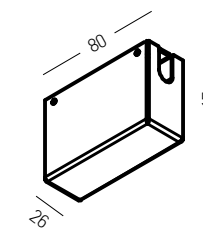
DALI Driver for Surface Magnetic Track
Power 100W
Input 220-240 , 50-60Hz
Output 48V
Special Feature Fully Integrates Into Track 2085 | 2082
Color Black
Guarantee 5Years

DALI / **Code 22269**

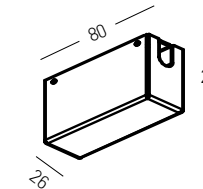


DALI Driver for Surface Magnetic Track
Power 250W
Input 220-240 , 50-60Hz
Output 48V
Special Feature Fully Integrates Into Track 2082
Color Black
Guarantee 5Years

DALI / **Code 22294**

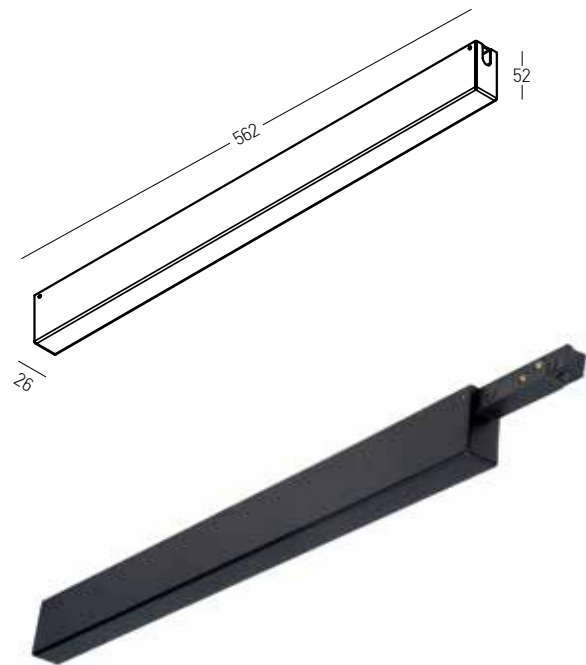


Ceiling Box for Cable Connection for 2082 Tracks
Dimensions L: 80mm W: 26mm H: 52mm
Color Sandy Black / **Code 22290**
Sandy White / **Code 22291**



Ceiling Box for Cable Connection for 2085 Tracks
Dimensions L: 80mm W: 26mm H: 29mm
Color Sandy Black / **Code 22292**
Sandy White / **Code 22293**

Driver Box for Ceiling Application



Surface Mount Base with Driver for Surface Magnetic Track

Power 100W
 Input 220-240 , 50-60Hz
 Output 48V
 Special Feature Included 48V Feeder
 Color Sandy Black
 Guarantee 5Years

ON-OFF / Code **20306-B**
 DALI KIT / Code **20308-B**
 PUSH BUTTON KIT / Code **20310-B**
 BLUETOOTH KIT / Code **20312-B**

Surface Mount Base with Driver for Surface Magnetic Track

Power 200W
 Input 220-240 , 50-60Hz
 Output 48V
 Special Feature Included 48V Feeder
 Color Sandy Black
 Guarantee 5Years

ON-OFF / Code **20307-B**
 DALI KIT / Code **20309-B**
 PUSH BUTTON KIT / Code **20311-B**
 BLUETOOTH KIT / Code **20313-B**

Surface Mount Base with Driver for Surface Magnetic Track

Power 100W
 Input 220-240 , 50-60Hz
 Output 48V
 Special Feature Included 48V Feeder
 Color Sandy White
 Guarantee 5Years

ON-OFF / Code **20306-W**
 DALI KIT / Code **20308-W**
 PUSH BUTTON KIT / Code **20310-W**
 BLUETOOTH KIT / Code **20312-W**

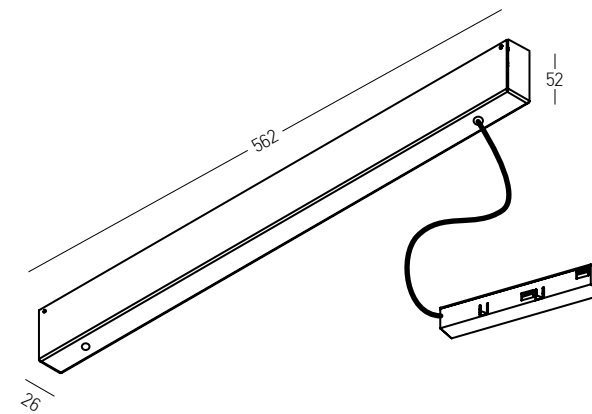
Surface Mount Base with Driver for Surface Magnetic Track

Power 200W
 Input 220-240 , 50-60Hz
 Output 48V
 Special Feature Included 48V Feeder
 Color Sandy White
 Guarantee 5Years

ON-OFF / Code **20307-W**
 DALI KIT / Code **20309-W**
 PUSH BUTTON KIT / Code **20311-W**
 BLUETOOTH KIT / Code **20313-W**



Driver Box for Pendant Application



Pendant Base with Driver for Surface Magnetic Track

Power 100W
 Input 220-240 , 50-60Hz
 Output 48V
 Special Feature 200cm Cable Available - 48V Feeder
 Color Sandy Black
 Guarantee 5Years

ON-OFF / Code **20314-B**
 DALI KIT / Code **20316-B**
 PUSH BUTTON KIT / Code **20318-B**
 BLUETOOTH KIT / Code **20320-B**

Pendant Base with Driver for Surface Magnetic Track

Power 200W
 Input 220-240 , 50-60Hz
 Output 48V
 Special Feature 200cm Cable Available - 48V Feeder
 Color Sandy Black
 Guarantee 5Years

ON-OFF / Code **20315-B**
 DALI KIT / Code **20317-B**
 PUSH BUTTON KIT / Code **20319-B**
 BLUETOOTH KIT / Code **20321-B**

Pendant Base with Driver for Surface Magnetic Track

Power 100W
 Input 220-240 , 50-60Hz
 Output 48V
 Special Feature 200cm Cable Available - 48V Feeder
 Color Sandy White
 Guarantee 5Years

ON-OFF / Code **20314-W**
 DALI KIT / Code **20316-W**
 PUSH BUTTON KIT / Code **20318-W**
 BLUETOOTH KIT / Code **20320-W**

Pendant Base with Driver for Surface Magnetic Track

Power 200W
 Input 220-240 , 50-60Hz
 Output 48V
 Special Feature 200cm Cable Available - 48V Feeder
 Color Sandy White
 Guarantee 5Years

ON-OFF / Code **20315-W**
 DALI KIT / Code **20317-W**
 PUSH BUTTON KIT / Code **20319-W**
 BLUETOOTH KIT / Code **20321-W**

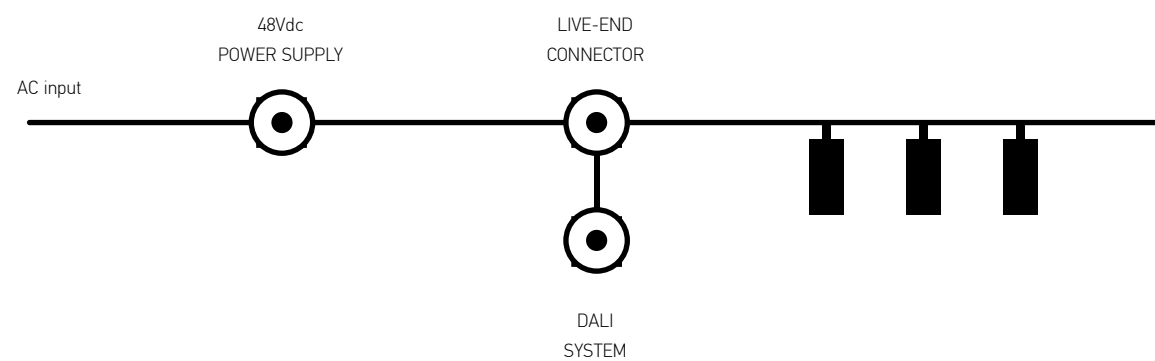


CASAMBI READY wireless control for DALI luminaires

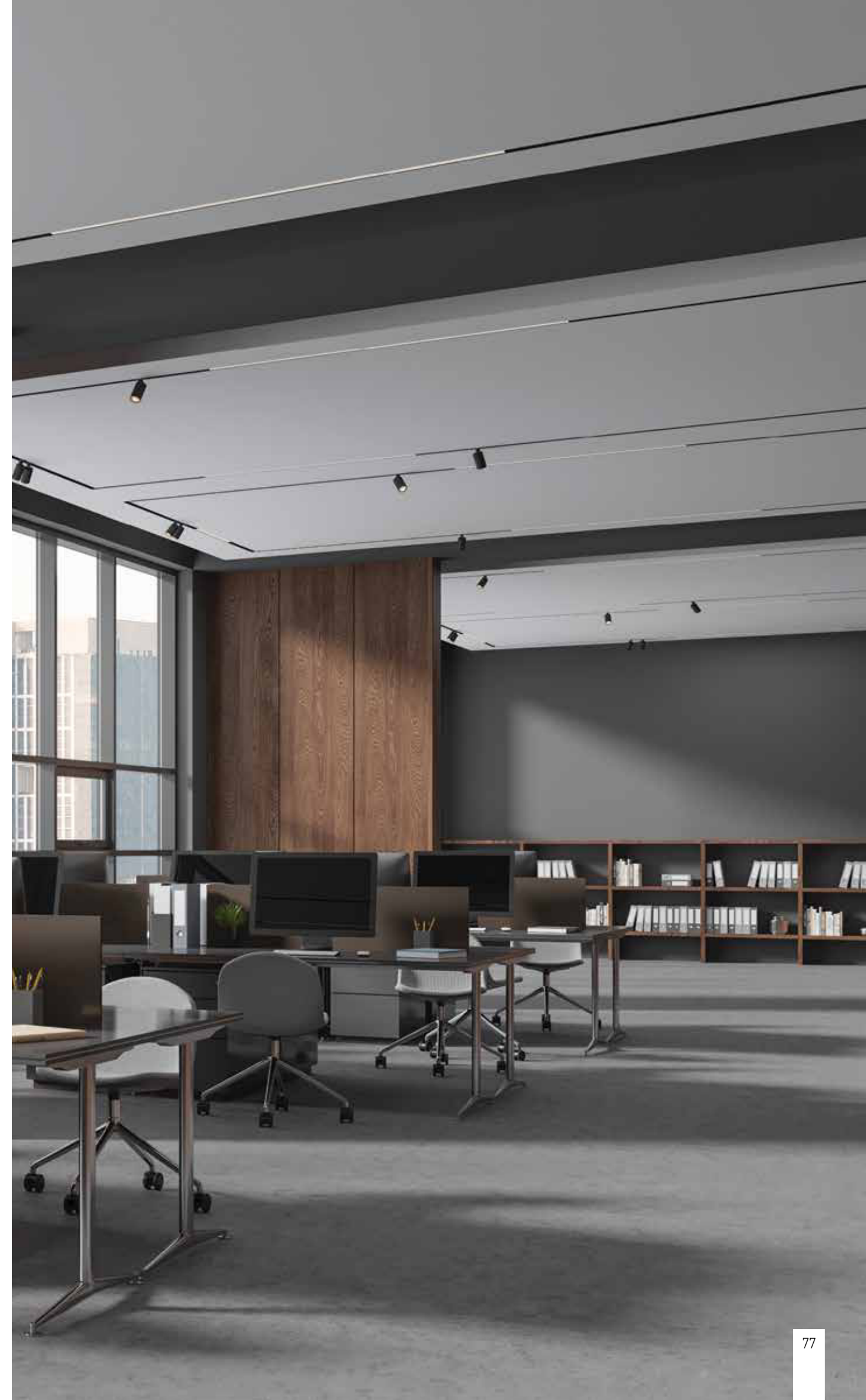
The Zambelis 48V tracks are compatible with CASAMBI control system, which permits bidirectional communication between control device and luminaires, making it possible for the user to create scenes, regulate the system from smart devices, etc.

With the CASAMBI control system and its Control wireless variants, the user has total control over the installation, with all the features available in low voltage alternatives. The 48V system does not mean relinquishing the leading edge in control for architectural lighting.

Power by : **CASAMBI**
Available App on :



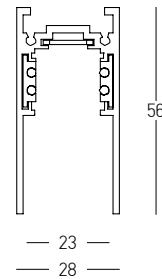
DESIGN YOUR OWN LIGHTING...



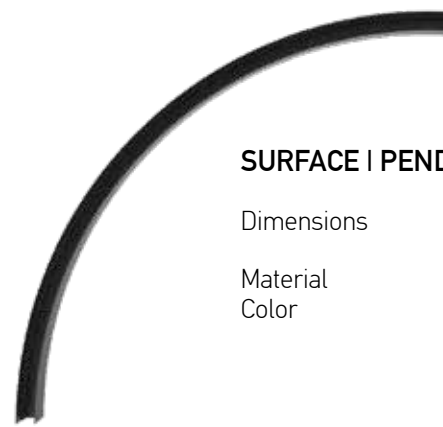
48V ROUNDED RECTANGLE MAGNETIC SYSTEM | p.078-091



SURFACE | PENDANT Track : 1m / 2m / 3m

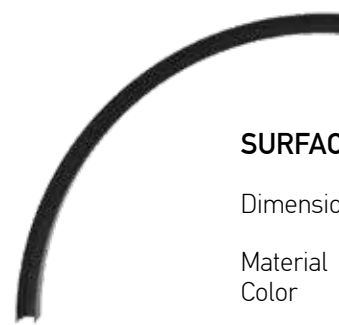
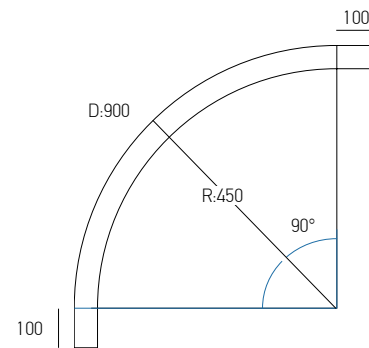
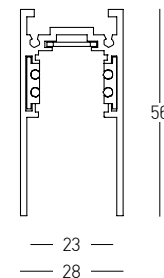


Track Code	Size	Color
22273B-1	1m	Sandy Black
22273B-2	2m	Sandy Black
22273B-3	3m	Sandy Black



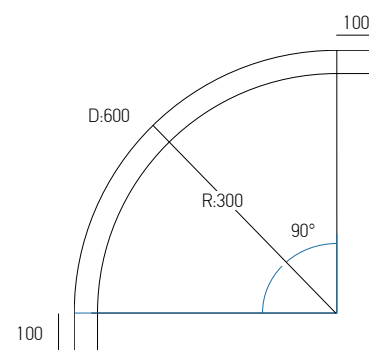
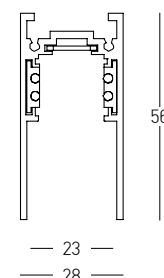
SURFACE | PENDANT Curved Track

Dimensions Ø: 900mm
 L: 706mm
 Material Aluminium
 Color Sandy Black
Code 22277

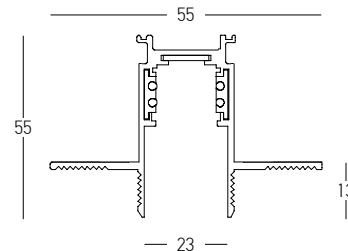


SURFACE | PENDANT Curved Track

Dimensions Ø: 600mm
 L: 471mm
 Material Aluminium
 Color Sandy Black
Code 22275



TRIMLESS Track : 1m/2m/3m

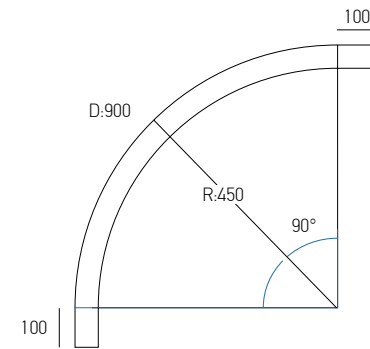
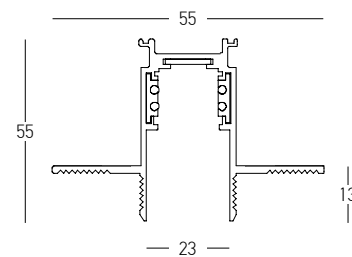


Track Code	Size	Color
22274B-1	1m	Sandy Black
22274B-2	2m	Sandy Black
22274B-3	3m	Sandy Black



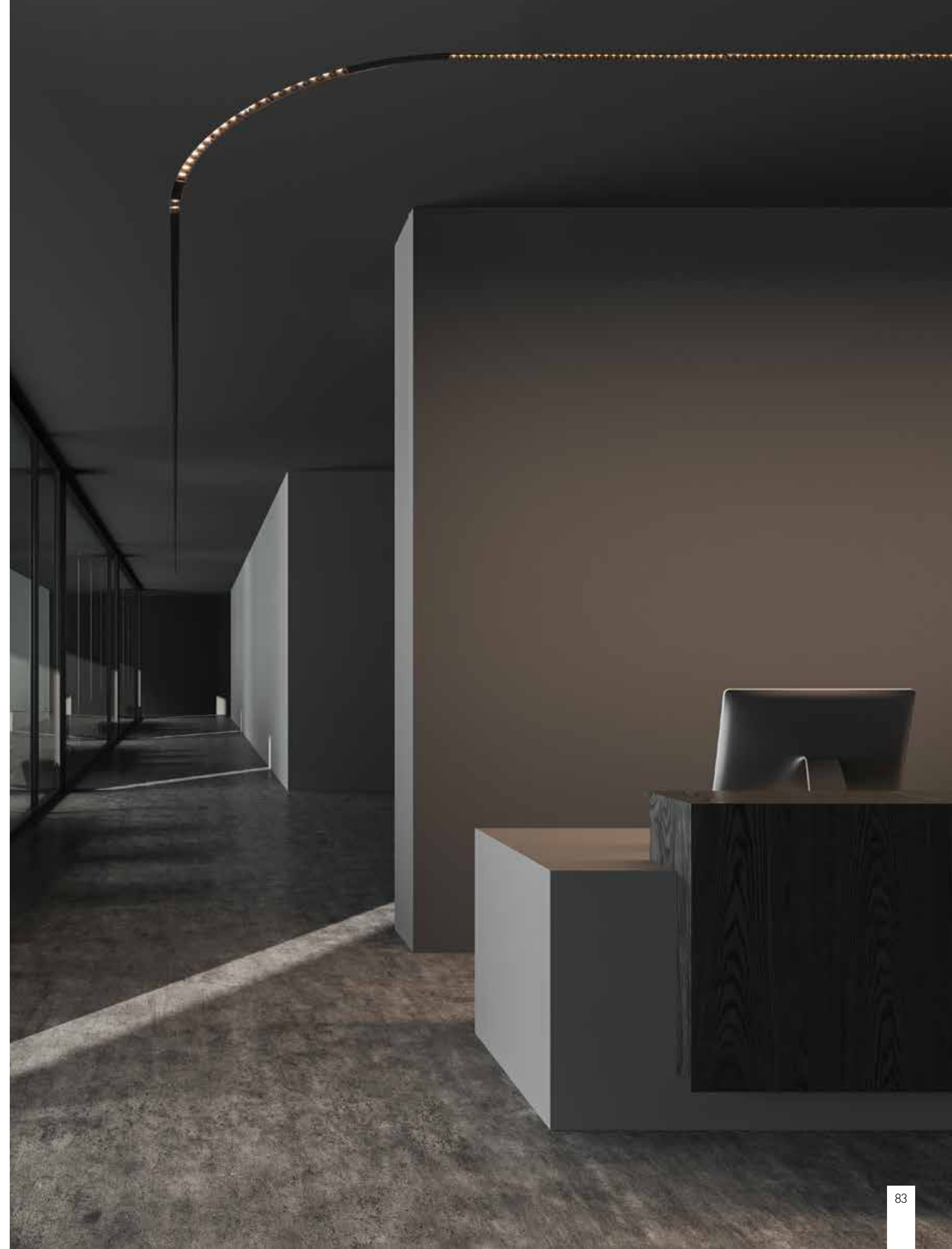
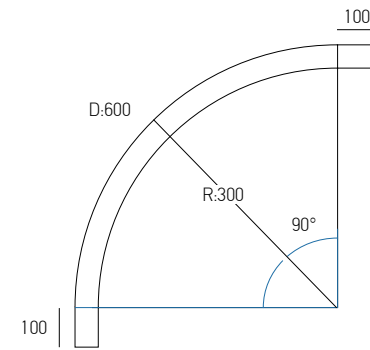
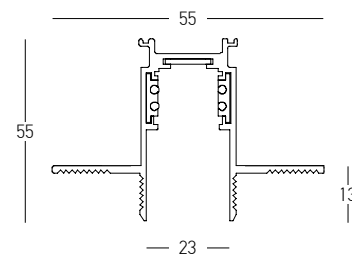
TRIMLESS Curved Track

Dimensions Ø: 900mm
 L: 906mm
 Material Aluminium
 Color Sandy Black
Code 22278



TRIMLESS Curved Track

Dimensions Ø: 600mm
 L: 670mm
 Material Aluminium
 Color Sandy Black
Code 22276



Lights for D: 900mm Curved Tracks



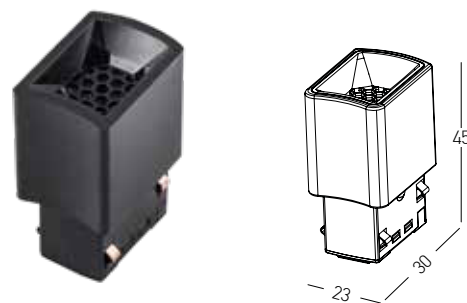
Power 8W
 Input 48V
 Color Temperature 3000K
 Lumen 780Lm
 Cri 80
 Dimensions Curved: 900mm L: 195mm W: 23mm H: 45mm
 Beam Angle 36°
 DALI Dimmable
 Material Aluminium - Acrylic
 Color Sandy Black / **Code 22099**



Power 8W
 Input 48V
 Color Temperature 3000K
 Lumen 780Lm
 Cri 80
 Dimensions Curved: 900mm Ø: 45mm L: 110mm
 Beam Angle 36°
 DALI Dimmable
 Material Aluminium - Acrylic
 Color Sandy Black / **Code 22101**



Power 8W
 Input 48V
 Color Temperature 3000K
 Lumen 780Lm
 Cri 80
 Dimensions Curved: 900mm L: 195mm W: 23mm H: 45mm
 Beam Angle 120°
 DALI Dimmable
 Material Aluminium - Acrylic
 Color Sandy Black / **Code 22100**



Lights for D: 600mm Curved Tracks



Power 8W
 Input 48V
 Color Temperature 3000K
 Lumen 780Lm
 Cri 80
 Dimensions Curved: 600mm L: 195mm W: 23mm H: 45mm
 Beam Angle 36°
 DALI Dimmable
 Material Aluminium - Acrylic
 Color Sandy Black / **Code 22092**



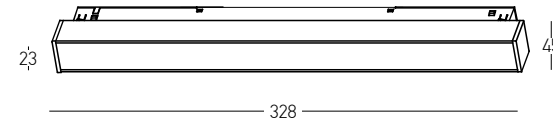
Power 8W
 Input 48V
 Color Temperature 3000K
 Lumen 780Lm
 Cri 80
 Dimensions Curved: 600mm Ø: 45mm L: 110mm
 Beam Angle 36°
 DALI Dimmable
 Material Aluminium - Acrylic
 Color Sandy Black / **Code 22094**



Power 8W
 Input 48V
 Color Temperature 3000K
 Lumen 780Lm
 Cri 80
 Dimensions Curved: 600mm L: 195mm W: 23mm H: 45mm
 Beam Angle 120°
 DALI Dimmable
 Material Aluminium - Acrylic
 Color Sandy Black / **Code 22093**

Power 2W
 Input 48V
 Color Temperature 3000K
 Lumen 170Lm
 Cri 80
 Dimensions Curved: 900mm L: 30mm W: 23mm H: 45mm
 Beam Angle 25°
 Non Dimmable
 Material Acrylic
 Color Sandy Black / **Code 22107**



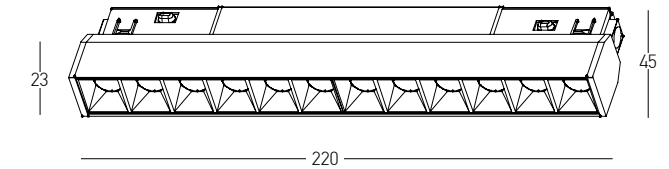


Power 12W
 Input 48V
 Color Temperature 3000K
 Lumen 779Lm
 Cri 80
 Dimensions L: 328mm W: 23mm H: 45mm
 Beam Angle 120°
 DALI Dimmable ☉
 Material Aluminium - PC Diffuser
 Color Sandy Black / **Code 2087**

OSRAM

Power 12W
 Input 48V
 Color Temperature 3000K
 Lumen 779Lm
 Cri 80
 Dimensions L: 328mm W: 23mm H: 45mm
 Beam Angle 120°
 Non Dimmable ☒
 Material Aluminium - PC Diffuser
 Color Sandy Black / **Code 2086**

OSRAM

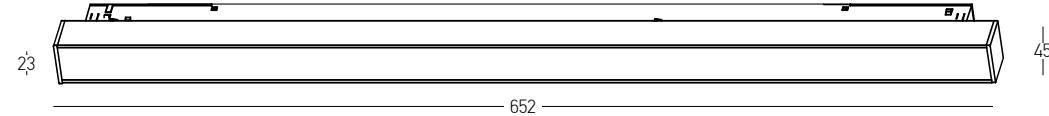


Power 8W
 Input 48V
 Color Temperature 2700K | 3000K | 4000K
 Lumen 675Lm | 693Lm | 713Lm
 Cri 80
 Dimensions L: 220mm W: 23mm H: 45mm
 Beam Angle 30°
 DALI Dimmable ☉
 Material Aluminium - Acrylic
 Color 3000K Sandy Black / **Code 2091**
 Color 4000K Sandy Black / **Code 2091-4B**
 Color 2700K Sandy Black / **Code 2091-27B**

OSRAM

Power 8W
 Input 48V
 Color Temperature 3000K
 Lumen 693Lm
 Cri 80
 Dimensions L: 220mm W: 23mm H: 45mm
 Beam Angle 30°
 Non Dimmable ☒
 Material Aluminium - Acrylic
 Color Sandy Black / **Code 2090**

OSRAM

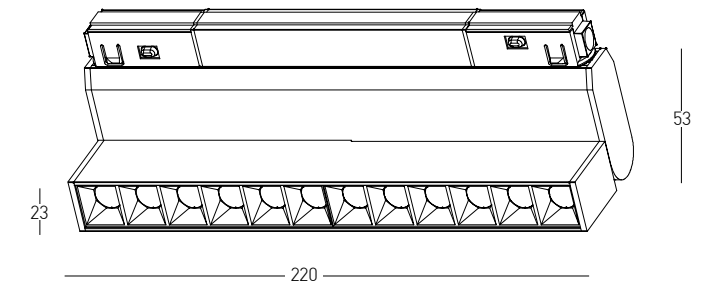


Power 20W
 Input 48V
 Color Temperature 2700K | 3000K | 4000K
 Lumen 1650Lm | 1669Lm | 1897Lm
 Cri 80
 Dimensions L: 652mm W: 23mm H: 45mm
 Beam Angle 120°
 DALI Dimmable ☉
 Material Aluminium - PC Diffuser
 Color 3000K Sandy Black / **Code 2089**
 Color 4000K Sandy Black / **Code 2089-4B**
 Color 2700K Sandy Black / **Code 2089-27B**

OSRAM

Power 20W
 Input 48V
 Color Temperature 3000K
 Lumen 1669Lm
 Cri 80
 Dimensions L: 652mm W: 23mm H: 45mm
 Beam Angle 120°
 Not Dimmable ☒
 Material Aluminium - PC Diffuser
 Color Sandy Black / **Code 2088**

OSRAM



Power 12W
 Input 48V
 Color Temperature 3000K
 Lumen 1021Lm
 Cri 80
 Dimensions L: 220mm W: 23mm H: 53mm
 Beam Angle 30°
 DALI Dimmable ☉
 Material Aluminium - Acrylic
 Color Sandy Black / **Code 20291**

OSRAM

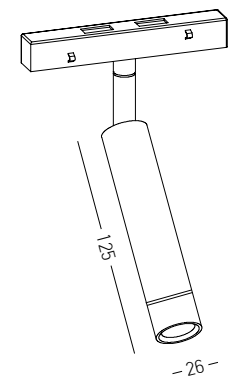
Power 12W
 Input 48V
 Color Temperature 3000K
 Lumen 1021Lm
 Cri 80
 Dimensions L: 220mm W: 23mm H: 53mm
 Beam Angle 30°
 Non Dimmable ☒
 Material Aluminium - Acrylic
 Color Sandy Black / **Code 20290**

OSRAM



Power 5W
 Input 48V
 Color Temperature 3000K
 Lumen 414Lm
 Cri 80
 Dimensions \varnothing : 26mm H: 125mm
 Beam Angle 24°
 DALI Dimmable
 Material Aluminium
 Color Sandy Black / **Code 2094**

CREE ⇨



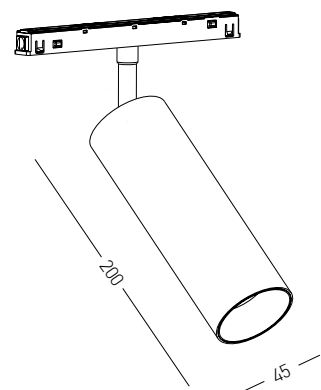
Power 5W
 Input 48V
 Color Temperature 3000K
 Lumen 414Lm
 Cri 80
 Dimensions \varnothing : 26mm H: 125mm
 Beam Angle 24°
 Non Dimmable
 Material Aluminium
 Color Sandy Black / **Code 2093**

CREE ⇨



Power 15W
 Input 48V
 Color Temperature 3000K
 Lumen 1225Lm
 Cri 80
 Dimensions \varnothing : 45mm H: 200mm
 Beam Angle 24°
 DALI Dimmable
 Material Aluminium
 Color Sandy Black / **Code 2095-D**

CREE ⇨



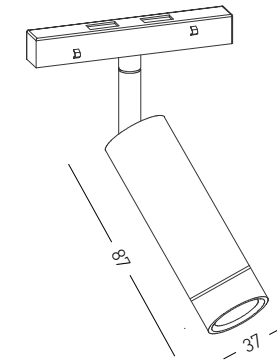
Power 15W
 Input 48V
 Color Temperature 3000K
 Lumen 1225Lm
 Cri 80
 Dimensions \varnothing : 45mm H: 200mm
 Beam Angle 24°
 Non Dimmable
 Material Aluminium
 Color Sandy Black / **Code 2095**

CREE ⇨



Power 7W
 Input 48V
 Color Temperature 2700K | 3000K
 Lumen 565Lm | 580Lm
 Cri 80
 Dimensions \varnothing : 37mm H: 87mm
 Beam Angle 32°
 DALI Dimmable
 Material Aluminium
 Color 3000K Sandy Black / **Code 20400-BD**
 Color 2700K Sandy Black / **Code 20407-BD**

CREE ⇨



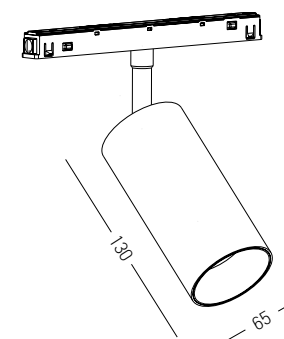
Power 7W
 Input 48V
 Color Temperature 3000K | 4000K
 Lumen 580Lm | 605Lm
 Cri 80
 Dimensions \varnothing : 37mm H: 87mm
 Beam Angle 32°
 Non Dimmable
 Material Aluminium
 Color 3000K Sandy Black / **Code 20402-B**
 Color 4000K Sandy Black / **Code 20406**

CREE ⇨



Power 15W
 Input 48V
 Color Temperature 3000K | 4000K
 Lumen 1284Lm | 1312Lm
 Cri 80
 Dimensions \varnothing : 65mm H: 130mm
 Beam Angle 24°
 DALI Dimmable
 Material Aluminium
 Color 3000K Sandy Black / **Code 20413**
 Color 4000K Sandy Black / **Code 20415**

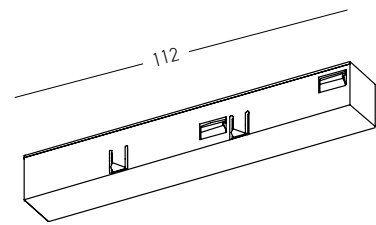
CREE ⇨



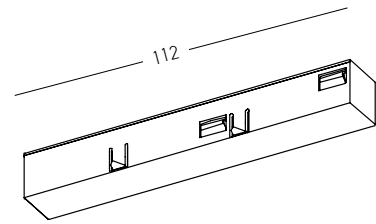
Power 15W
 Input 48V
 Color Temperature 3000K | 4000K
 Lumen 1284Lm | 1312Lm
 Cri 80
 Dimensions \varnothing : 65mm H: 130mm
 Beam Angle 24°
 Non Dimmable
 Material Aluminium
 Color 3000K Sandy Black / **Code 20410**
 Color 4000K Sandy Black / **Code 20411**

CREE ⇨

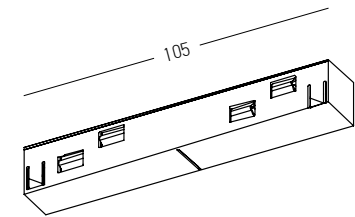
Accessories for All Tracks



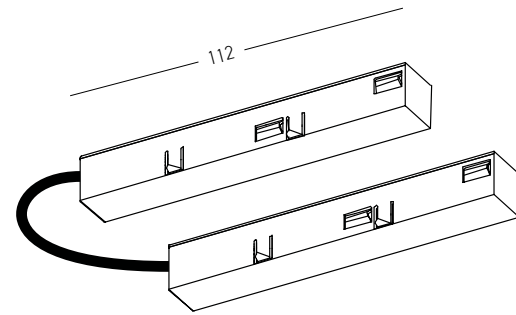
Feeder for 48V Magnetic Tracks
Code 2096 / Color Black



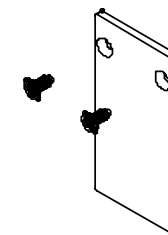
Feeder for 48V Magnetic Tracks
200cm Cable Available
Code 2096-2M / Color Black



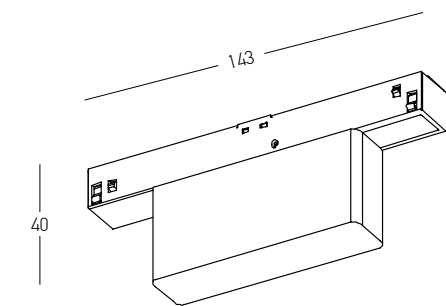
Inner Connector for 48V Magnetic Tracks
Code 20103 / Color Black



Flex Connector with Cable for 48V Magnetic Tracks
Code 20105 / Color Black



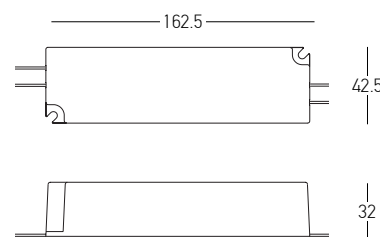
End Cap
Material Metal
Color Black / Code 22097-E



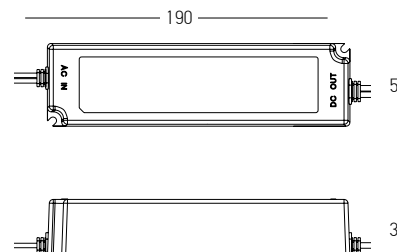
Wireless Control for 48V Magnetic Tracks
Bluetooth DALI
Code 20293

Power by :
CASAMBI
Available App on :

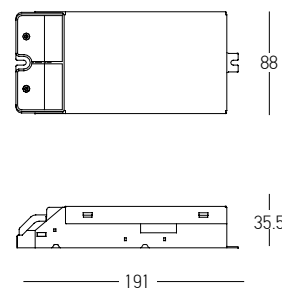
Remote Drivers



Remote Driver 60W
48V
5Years Guarantee
ON-OFF / Code 20295
DALI KIT / Code 20322
PUSH BUTTON KIT / Code 20300
BLUETOOTH KIT / Code 20303

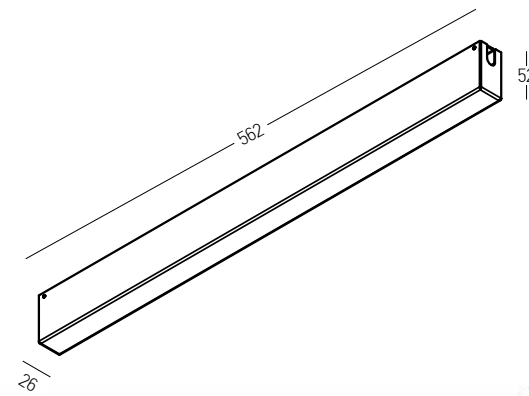


Remote Driver 100W
48V
5Years Guarantee
ON-OFF / Code 20296
DALI KIT / Code 20298
PUSH BUTTON KIT / Code 20301
BLUETOOTH KIT / Code 20304



Remote Driver 150W
48V
5Years Guarantee
ON-OFF / Code 20297
DALI KIT / Code 20299
PUSH BUTTON KIT / Code 20302
BLUETOOTH KIT / Code 20305

Driver Box for Ceiling Application

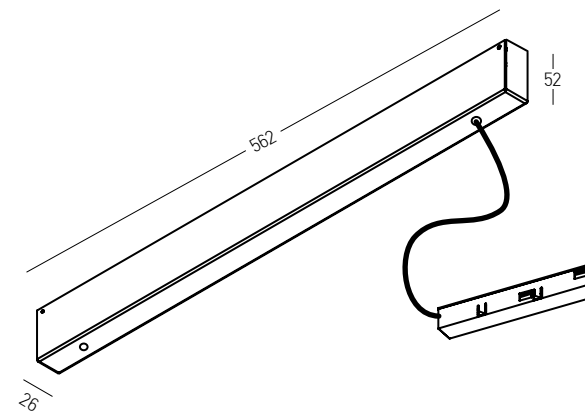


Surface Mount Base with Driver for Surface Magnetic Track
Power 100W
Input 220-240 , 50-60Hz
Output 48V
Special Feature Included 48V Feeder
Color Sandy Black
Guarantee 5Years
ON-OFF / Code 20306-B
DALI KIT / Code 20308-B
PUSH BUTTON KIT / Code 20310-B
BLUETOOTH KIT / Code 20312-B



Surface Mount Base with Driver for Surface Magnetic Track
Power 200W
Input 220-240 , 50-60Hz
Output 48V
Special Feature Included 48V Feeder
Color Sandy Black
Guarantee 5Years
ON-OFF / Code 20307-B
DALI KIT / Code 20309-B
PUSH BUTTON KIT / Code 20311-B
BLUETOOTH KIT / Code 20313-B

Driver Box for Pendant Application



Pendant Base with Driver for Surface Magnetic Track
Power 100W
Input 220-240 , 50-60Hz
Output 48V
Special Feature 200cm Cable Available - 48V Feeder
Color Sandy Black
Guarantee 5Years
ON-OFF / Code 20314-B
DALI KIT / Code 20316-B
PUSH BUTTON KIT / Code 20318-B
BLUETOOTH KIT / Code 20320-B



Suspension Kit (2pcs) / Adjustable Wire 2m
Material Metal
Code 22121

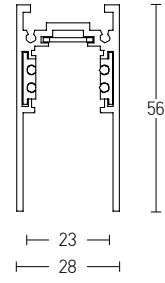


Curved Mechanic Connector
Material Metal
Color Black / Code 22097-C

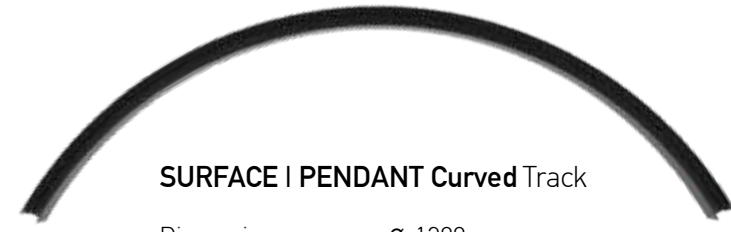
48V CIRCLES - CURVED MAGNETIC SYSTEM | p.092-105



SURFACE | PENDANT Track : 1m / 2m / 3m

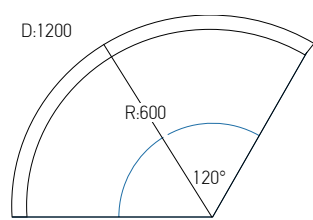
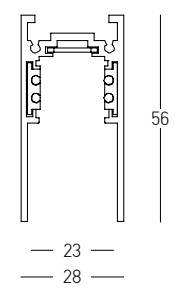


Track Code	Size	Color
22273B-1	1m	Sandy Black
22273B-2	2m	Sandy Black
22273B-3	3m	Sandy Black



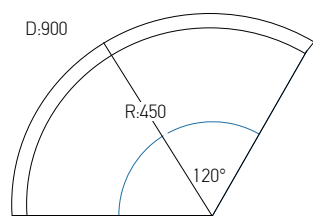
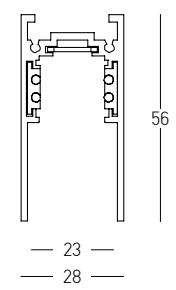
SURFACE | PENDANT Curved Track

Dimensions Ø: 1200mm
 L: 1252.5mm
 Material Aluminium
 Color Sandy Black
 Code 22102



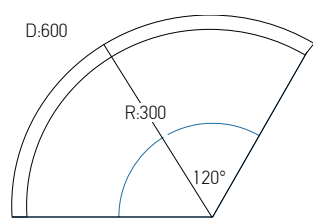
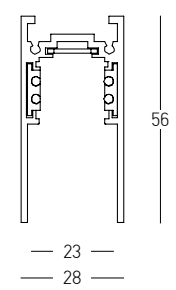
SURFACE | PENDANT Curved Track

Dimensions Ø: 900mm
 L: 942.5mm
 Material Aluminium
 Color Sandy Black
 Code 22097

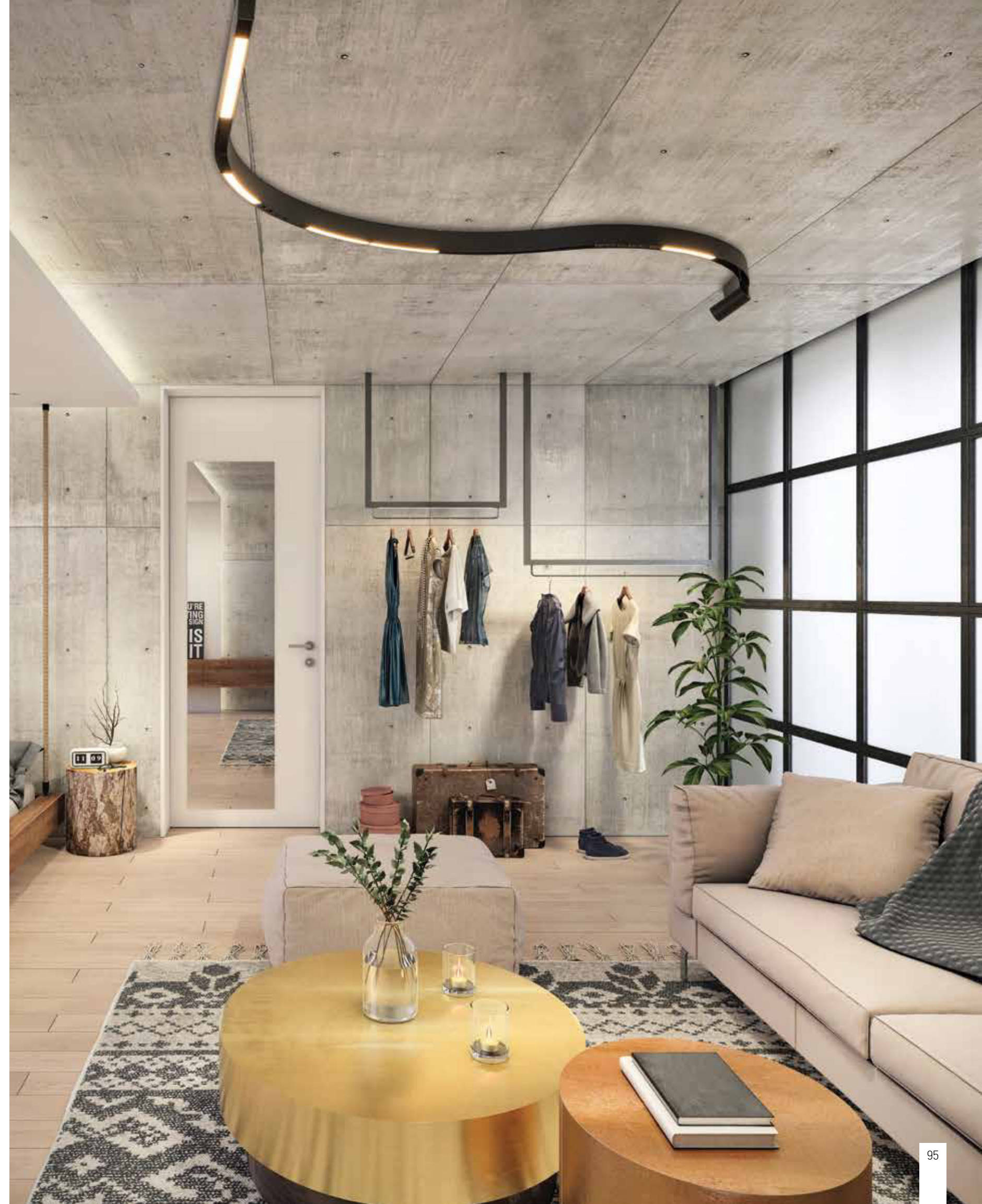


SURFACE | PENDANT Curved Track

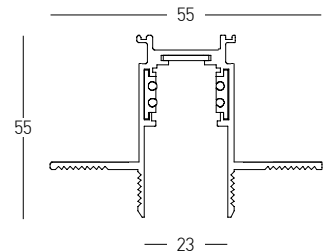
Dimensions Ø: 600mm
 L: 628mm
 Material Aluminium
 Color Sandy Black
 Code 22090



*Dimensions Indicated In Millimeters



TRIMLESS Track : 1m/2m/3m

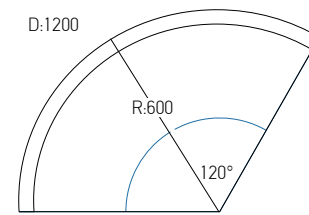
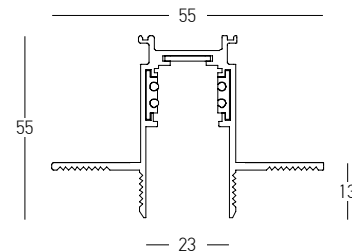


Track Code	Size	Color
22274B-1	1m	Sandy Black
22274B-2	2m	Sandy Black
22274B-3	3m	Sandy Black



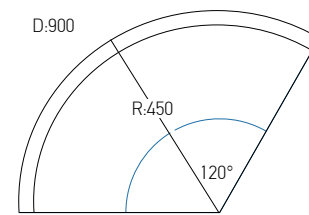
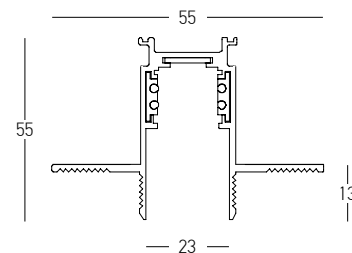
TRIMLESS Curved Track

Dimensions Ø: 1200mm
 L: 1252.5mm
 Material Aluminium
 Color Sandy Black
 Code 22103



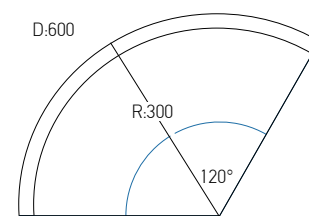
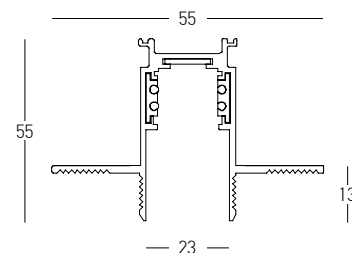
TRIMLESS Curved Track

Dimensions Ø: 900mm
 L: 942.5mm
 Material Aluminium
 Color Sandy Black
 Code 22098

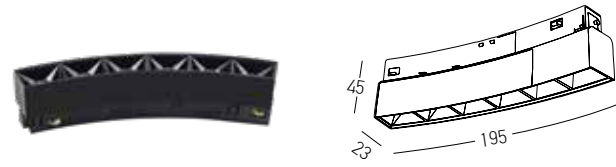


TRIMLESS Curved Track

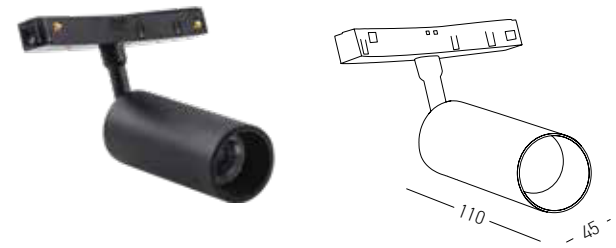
Dimensions Ø: 600mm
 L: 628mm
 Material Aluminium
 Color Sandy Black
 Code 22091



Lights for **D: 900mm** Curved Tracks - Circle



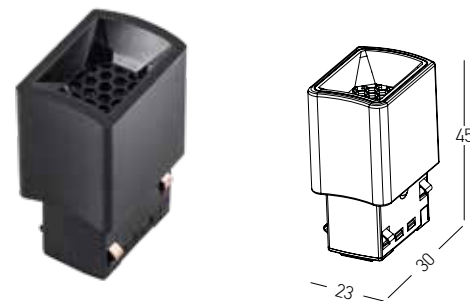
Power 8W
 Input 48V
 Color Temperature 3000K
 Lumen 780Lm
 Cri 80
 Dimensions Curved: 900mm L: 195mm W: 23mm H: 45mm
 Beam Angle 36°
 DALI Dimmable
 Material Aluminium - Acrylic
 Color Sandy Black / **Code 22099**



Power 8W
 Input 48V
 Color Temperature 3000K
 Lumen 780Lm
 Cri 80
 Dimensions Curved: 900mm Ø: 45mm L: 110mm
 Beam Angle 36°
 DALI Dimmable
 Material Aluminium - Acrylic
 Color Sandy Black / **Code 22101**



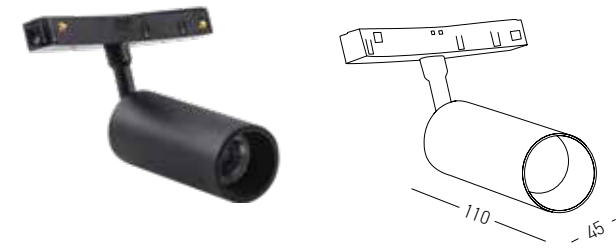
Power 8W
 Input 48V
 Color Temperature 3000K
 Lumen 780Lm
 Cri 80
 Dimensions Curved: 900mm L: 195mm W: 23mm H: 45mm
 Beam Angle 120°
 DALI Dimmable
 Material Aluminium - Acrylic
 Color Sandy Black / **Code 22100**



Lights for **D: 600mm** Curved Tracks - Circle



Power 8W
 Input 48V
 Color Temperature 3000K
 Lumen 780Lm
 Cri 80
 Dimensions Curved: 600mm L: 195mm W: 23mm H: 45mm
 Beam Angle 36°
 DALI Dimmable
 Material Aluminium - Acrylic
 Color Sandy Black / **Code 22092**



Power 8W
 Input 48V
 Color Temperature 3000K
 Lumen 780Lm
 Cri 80
 Dimensions Curved: 600mm Ø: 45mm L: 110mm
 Beam Angle 36°
 DALI Dimmable
 Material Aluminium - Acrylic
 Color Sandy Black / **Code 22094**



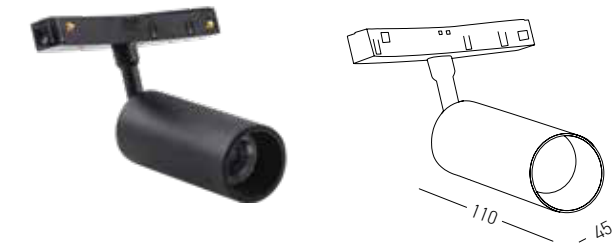
Power 8W
 Input 48V
 Color Temperature 3000K
 Lumen 780Lm
 Cri 80
 Dimensions Curved: 600mm L: 195mm W: 23mm H: 45mm
 Beam Angle 120°
 DALI Dimmable
 Material Aluminium - Acrylic
 Color Sandy Black / **Code 22093**

Power 2W
 Input 48V
 Color Temperature 3000K
 Lumen 170Lm
 Cri 80
 Dimensions Curved: 900mm L: 30mm W: 23mm H: 45mm
 Beam Angle 25°
 Non Dimmable
 Material Acrylic
 Color Sandy Black / **Code 22107**

Lights for **D: 1200mm** Curved Tracks Circle



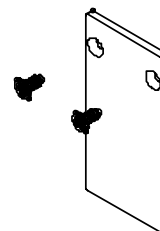
Power 8W
 Input 48V
 Color Temperature 3000K
 Lumen 780Lm
 Cri 80
 Dimensions Curved: 1200mm L: 195mm W: 23mm H: 45mm
 Beam Angle 36°
 DALI Dimmable
 Material Aluminium - Acrylic
 Color Sandy Black / **Code 22104**



Power 8W
 Input 48V
 Color Temperature 3000K
 Lumen 780Lm
 Cri 80
 Dimensions Curved: 1200mm Ø: 45mm L: 110mm
 Beam Angle 36°
 DALI Dimmable
 Material Aluminium - Acrylic
 Color Sandy Black / **Code 22106**



Power 8W
 Input 48V
 Color Temperature 3000K
 Lumen 780Lm
 Cri 80
 Dimensions Curved: 1200mm L: 195mm W: 23mm H: 45mm
 Beam Angle 120°
 DALI Dimmable
 Material Aluminium - Acrylic
 Color Sandy Black / **Code 22105**



End Cap
 Material Metal
 Color Black / **Code 22097-E**

Accessories for Curved Tracks



Flex Connector for 48V Curved Magnetic Tracks
Code 22096 / Color Black



Feeder for 48V Curved Magnetic Tracks
 30cm Cable Available
 Surface | Trimless Application
Code 22095 / Color Black



Feeder for 48V Curved Magnetic Tracks
 200cm Cable Available
 Pendant Application
Code 22120 / Color Black

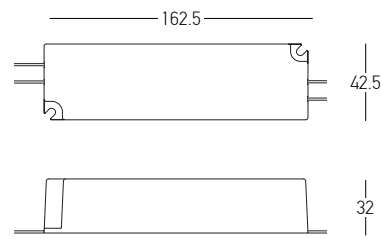


Curved Mechanic Connector
 Material Metal
 Color Black / **Code 22097-C**

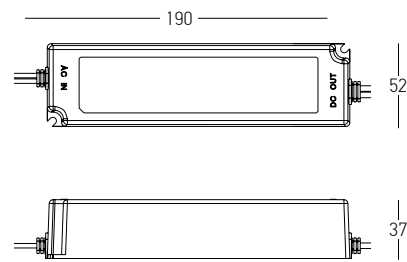


Suspension Kit (2pcs) / Adjustable Wire 2m
 Material Metal
Code 22121

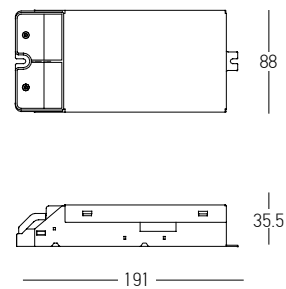
Remote Drivers for Curved Tracks - Circle



Remote Driver 60W
 48V
 5Years Guarantee
 ON-OFF / Code 20295
 DALI KIT / Code 20322
 PUSH BUTTON KIT / Code 20300
 BLUETOOTH KIT / Code 20303



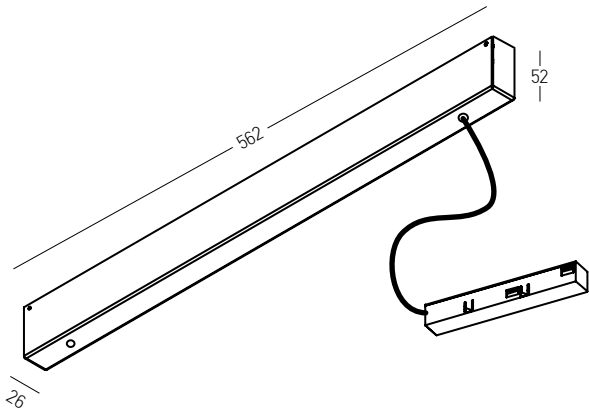
Remote Driver 100W
 48V
 5Years Guarantee
 ON-OFF / Code 20296
 DALI KIT / Code 20298
 PUSH BUTTON KIT / Code 20301
 BLUETOOTH KIT / Code 20304



Remote Driver 150W
 48V
 5Years Guarantee
 ON-OFF / Code 20297
 DALI KIT / Code 20299
 PUSH BUTTON KIT / Code 20302
 BLUETOOTH KIT / Code 20305

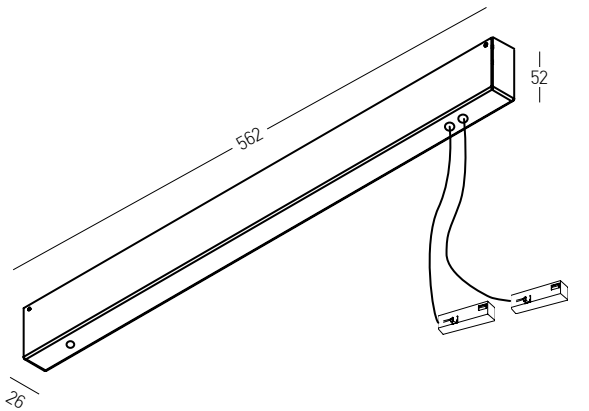


Ceiling Driver Box for Pendant Curved Tracks - Circles



Pendant Base with Driver for Surface Magnetic Track
 Power 100W
 Input 220-240 , 50-60Hz
 Output 48V
 Special Feature 200cm Cable Available - 48V Feeder
 Color Sandy Black
 Guarantee 5Years
 ON-OFF / Code 22284
 BLUETOOTH KIT / Code 22282

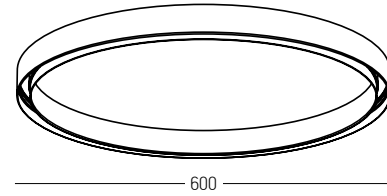
Pendant Base with Driver for Surface Magnetic Track
 Power 200W
 Input 220-240 , 50-60Hz
 Output 48V
 Special Feature 200cm Cable Available - 48V Feeder
 Color Sandy Black
 Guarantee 5Years
 ON-OFF / Code 22286
 BLUETOOTH KIT / Code 22280



Pendant Base with Driver for Surface Magnetic Track
 Power 100W
 Input 220-240 , 50-60Hz
 Output 48V
 Special Feature 200cm Cable Available - 48V Feeder
 Color Sandy Black
 Guarantee 5Years
 DALI KIT / Code 22285
 PUSH BUTTON KIT / Code 22281

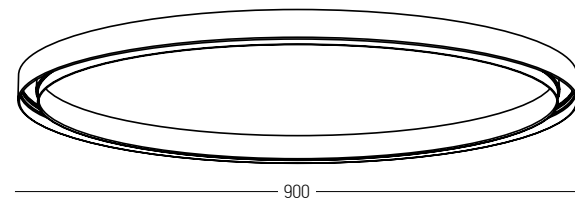
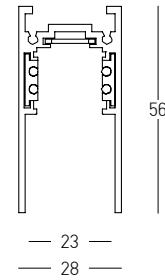
Pendant Base with Driver for Surface Magnetic Track
 Power 200W
 Input 220-240 , 50-60Hz
 Output 48V
 Special Feature 200cm Cable Available - 48V Feeder
 Color Sandy Black
 Guarantee 5Years
 DALI KIT / Code 22287
 PUSH BUTTON KIT / Code 22279





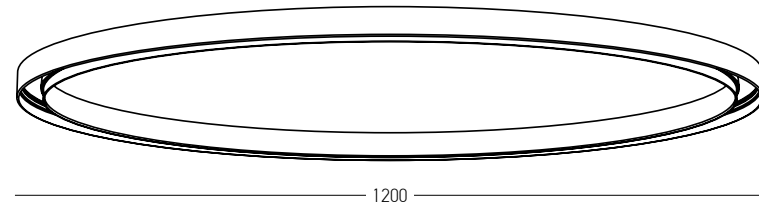
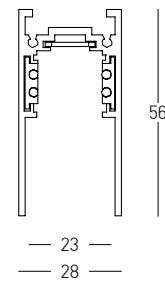
Magnetic Surface | Pendant Circle

Dimensions Ø: 600mm
 Material Aluminium
 Color Sandy Black / **Code 22270**



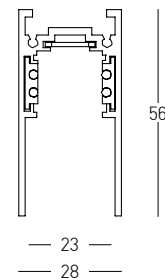
Magnetic Surface | Pendant Circle

Dimensions Ø: 900mm
 Material Aluminium
 Color Sandy Black / **Code 22271**



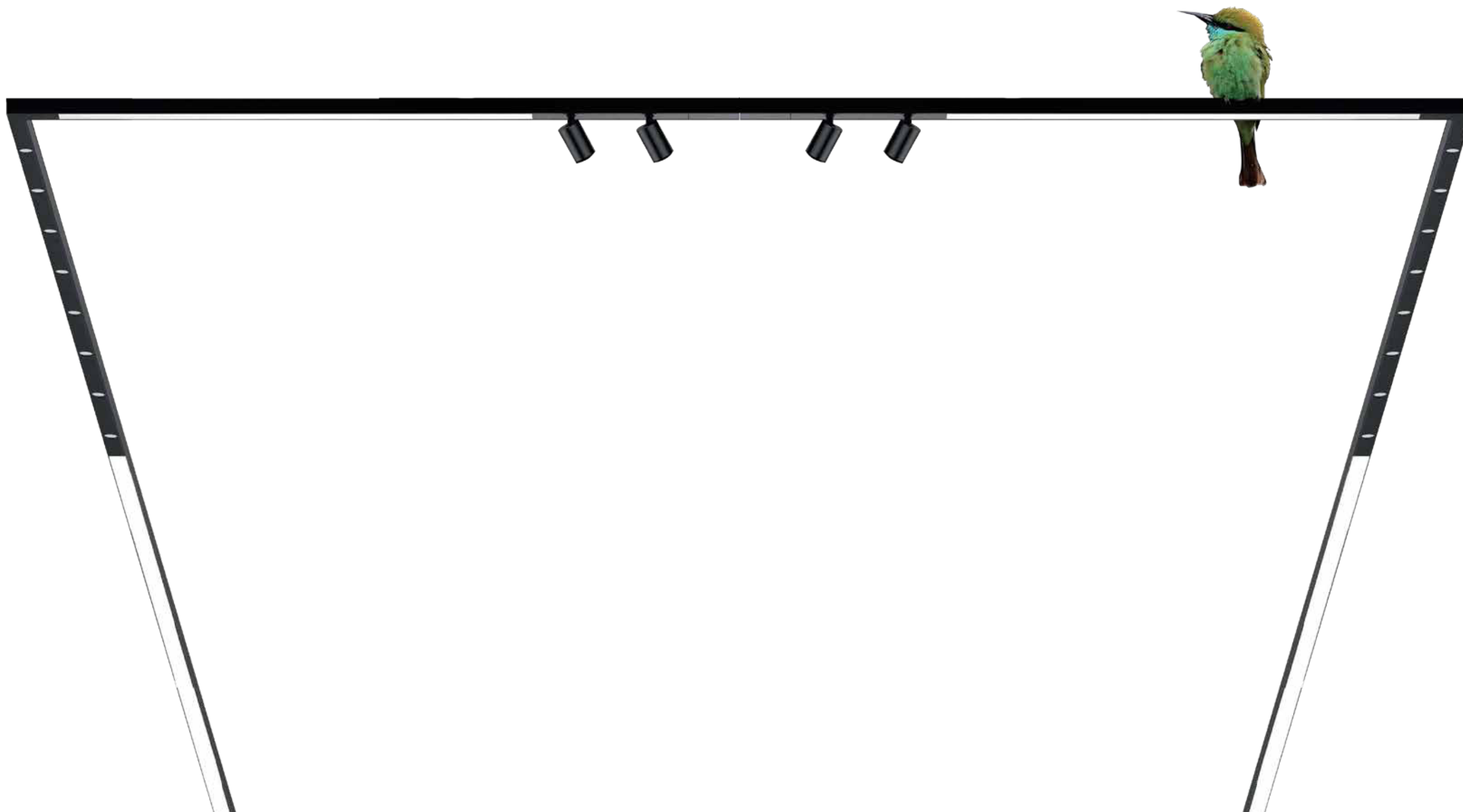
Magnetic Surface | Pendant Circle

Dimensions Ø: 1200mm
 Material Aluminium
 Color Sandy Black / **Code 22272**



Suspension Kit (3pcs) for Magnetic Circles
 Adjustable Wire 2m
 Material Metal
Code 22283





Smaller, Lighter and Slimmer...

Attractive Color Presentation...



CRI>90, High Quality Light Output

Because ambient light produces Colors differently, the Color rendering index (CRI) is used as reference. The CRI indicates the ratio by which the illuminated object or the illuminated area deviates from the maximum value of 100 (daylight). MINI TRACK has an impressively high CRI of 90, which means that it comes very close to natural light and is suitable for Color-sensitive applications such as display cases and special exhibition spaces. The material quality, feel, and Color authenticity of merchandise and artworks need to be rendered as accurately as possible to accentuate object's value. The especially small light surface of the LEDs and high light density allow the luminaires to perfectly reflect the three-dimensionality of amorphous surfaces. Products with a CRI of 90 are perfect for high-end sales floors and art settings.

R9>90, Closer to True Colors

R9 is the index to present the color of Red. Red is a very important icon to many objects like photography, textiles, bones and skins. For human eyes, the red is a key reference to distinguish the real true colors. A higher R9 index can better present the true colors. MINI TRACK, with R9 higher than 90, can better present the world closer to true colors.



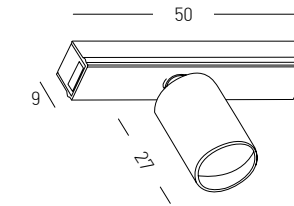
Mini Linear Light

Mini Fix Spots

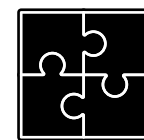
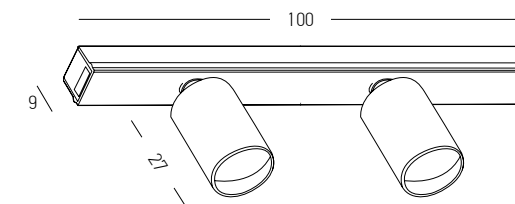
Mini Adjustable Eyes



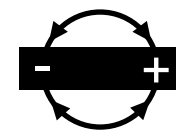
Power 1.5W
 Input 24V
 Color Temperature 3000K
 Lumen 80Lm
 Cri 97
 Dimensions L: 50mm W: 11mm H: 36mm
 Spot Ø: 15mm H: 27mm
 Beam Angle 20°
 DALI Dimmable
 Material Aluminium - Acrylic
 Special Feature Movable Spot
 Color Black Matt / **Code 22251**



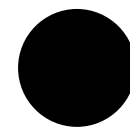
Power 2.6W
 Input 24V
 Color Temperature 3000K
 Lumen 160Lm
 Cri 97
 Dimensions L: 100mm W: 11mm H: 36mm
 Spots Ø: 15mm H: 27mm
 Beam Angle 20°
 DALI Dimmable
 Material Aluminium - Acrylic
 Special Feature Movable Spots
 Color Black Matt / **Code 22252**



Free combination



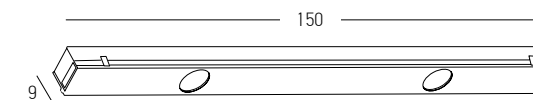
Polarized free



Color: black

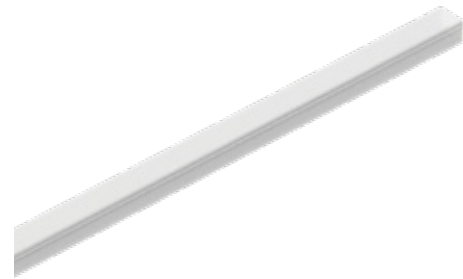


Power 2.5W
 Input 24V
 Color Temperature 3000K
 Lumen 150Lm
 Cri 97
 Dimensions L: 150mm W: 11mm H: 9mm
 Beam Angle 30°
 DALI Dimmable
 Material Aluminium - Acrylic
 Color Black Matt / **Code 22253**

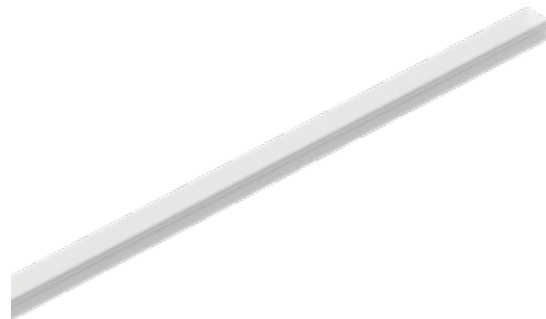




Power 2.4W
 Input 24V
 Color Temperature 3000K
 Lumen 210Lm
 Cri 93
 Dimensions L: 150mm W: 11mm H: 9mm
 Beam Angle 125°
 DALI Dimmable ☉
 Material Aluminium - Acrilyc
 Color Opal White / **Code 22254**



Power 4.8W
 Input 24V
 Color Temperature 3000K
 Lumen 420Lm
 Cri 93
 Dimensions L: 300mm W: 11mm H: 9mm
 Beam Angle 125°
 DALI Dimmable ☉
 Material Aluminium - Acrilyc
 Color Opal White / **Code 22255**



Power 9.6W
 Input 24V
 Color Temperature 3000K
 Lumen 830Lm
 Cri 93
 Dimensions L: 600mm W: 11mm H: 9mm
 Beam Angle 125°
 DALI Dimmable ☉
 Material Aluminium - Acrilyc
 Color Opal White / **Code 22256**

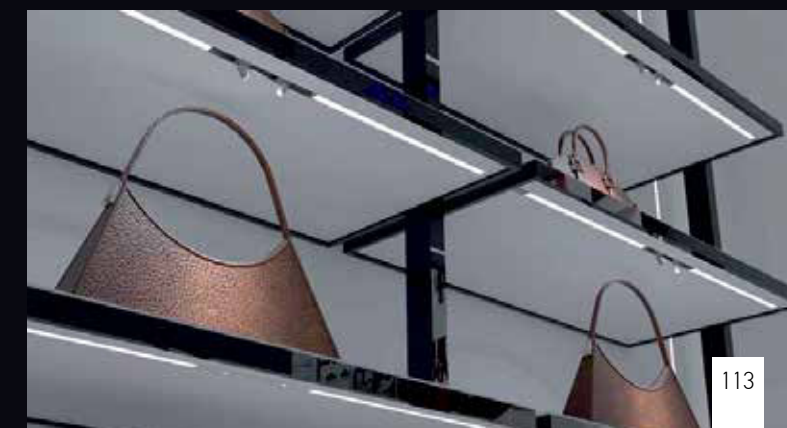
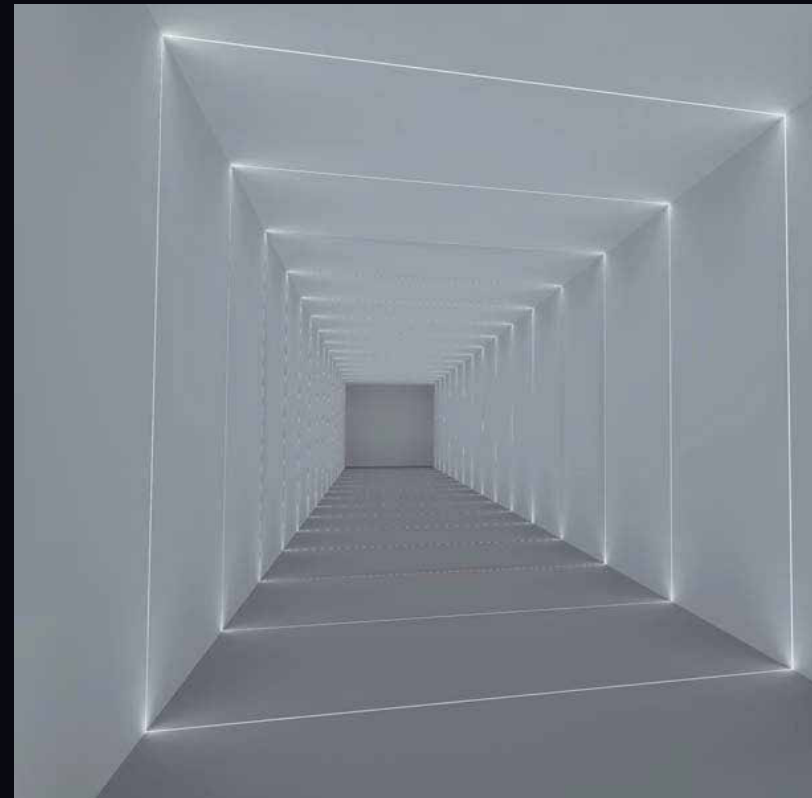


One shop, One light...

There are many lighting types in retail lighting design, such as general lighting, accent lighting, and task lighting, is it possible to use one light fixture to solve all the lighting requirements?

Yes, it is MINI SURFACE MAGNETIC SYSTEM.

The light designer could use it in various possibilities.



Mini Track (Free-Cut Length)



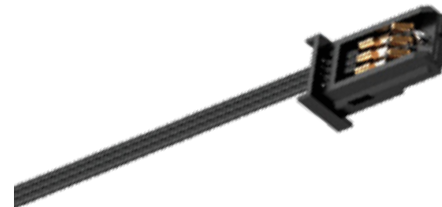
Dimensions L: 2200mm W: 12.5mm H: 10.5mm
Material Aluminium
Color Black Matt / **Code 22262**

Mini Track (Free-Cut Length)



Dimensions L: 1100mm W: 12.5mm H: 10.5mm
Material Aluminium
Color Black Matt / **Code 22261**

Power Feeder 24V



Dimensions L: 2500mm Cable
Material Aluminium-Plastic Cable
Color Black Matt / **Code 22260**

Inner Connector



Dimensions L: 46mm W: 11mm H: 9mm
Material Plastic
Color Black Matt / **Code 22260-I**

Showcase Corner Connector



Dimensions L: 35mm W: 26mm H: 9mm
Material Plastic
Special Feature Rotatable
Color Black Matt / **Code 22258**

Corner Connector



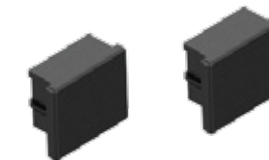
Dimensions L: 25mm W: 25mm H: 9mm
Material Plastic
Color Black Matt / **Code 22257**

Blind Cover



Dimensions L: 100mm W: 11mm H: 9mm
Material Aluminium
Color Black Matt / **Code 22259**

End Caps



Dimensions L: 5mm W: 12.5mm H: 10.5mm
Material Plastic
Color Black Matt / **Code 22260-E**

Showcase Holder



Dimensions Ø: 22mm H: 40mm
Material Plastic
Cutting Hole Ø: 18mm
Surface Thickness 8 - 30mm
Color Black Matt / **Code 22263**

Magnetic Surface Clip



Dimensions L: 25mm W: 12.5mm H: 12mm
Material Stainless Steel
Color Stainless Steel / **Code 22264**

Surface Clip with Screw



Dimensions L: 25mm W: 12.5mm H: 12mm
Material Stainless Steel
Color Stainless Steel / **Code 22265**

Dimming Options

1. DALI Dimming : Dali Driver 24V + Switch DALI MCU . Suitable with Drivers to Page : 275

24V PLUG & PLAY | p.116-121





Power 3W
 Input 24V
 Color Temperature 3000K
 Lumen 285Lm
 Cri 80
 Dimensions Ø: 10cm H: 7.6cm
 Dimmable Triac
 Material Aluminium - PC Diffuser
 Special Feature Plug & Play With Jack System
 Color Sandy Black / **Code 19152**
 Color Sandy White / **Code 19151**



Power 20W
 Input 24V
 Color Temperature 3000K
 Lumen 1600Lm
 Cri 80
 Dimensions Ø: 22.3cm H: 3.8cm
 Non Dimmable
 Material Aluminium - Diffuser
 Special Feature Plug & Play With Jack System
 Color Sandy Black / **Code 19172**
 Color Sandy White / **Code 19171**



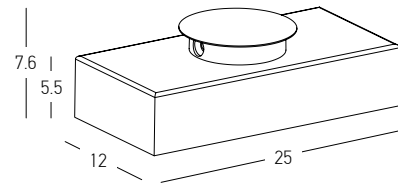
Power 7W
 Input 24V
 Color Temperature 3000K
 Lumen 560Lm
 Cri 80
 Dimensions Ø: 11cm H: 3.8cm
 Non Dimmable
 Material Aluminium - Diffuser
 Special Feature Plug & Play With Jack System
 Color Sandy Black / **Code 19170**
 Color Sandy White / **Code 19169**



Power		4W	10W	18W	24W	30W
Input	24V					
Color Temperature	3000K					
Lumen		280Lm	700Lm	1260Lm	1680Lm	2100Lm
Cri	80					
Dimensions	Ø: 1.5cm	27cm	57cm	97cm	127cm	157cm
Dimmable Triac	<input type="radio"/>					
Material	Aluminium - Diffuser					
Special Feature	Plug & Play With Jack System					
Color	Sandy Black / Code 19158	19158	19160	19162	19164	19166
Color	Sandy White / Code 19157	19157	19159	19161	19163	19165

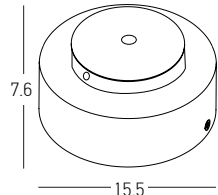
DESIGN YOUR OWN LIGHTING...





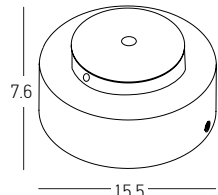
Ceiling / Wall Base for 24V Light System

Power 200W
 Input 220-240V, 50/60Hz
 Output 24V
 Dimensions L: 25cm W: 12cm H: 7.6cm
 Non Dimmable ☒
 Material Aluminium
 Driver Included
 Special Feature Plug & Play With Jack System
 Color Sandy Black / **Code 20139**



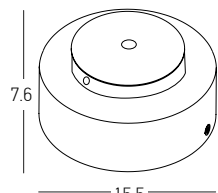
Ceiling / Wall Base for 24V Light System

Power 150W
 Input 220-240V, 50/60Hz
 Output 24V
 Dimensions Ø: 15.5cm H: 7.6cm
 Non Dimmable ☒
 Material Aluminium
 Driver Included
 Special Feature Plug & Play With Jack System
 Color Sandy Black / **Code 20140**



Ceiling / Wall Base for 24V Light System

Power 100W
 Input 220-240V, 50/60Hz
 Output 24V
 Dimensions Ø: 15.5cm H: 7.6cm
 Non Dimmable ☒
 Material Aluminium
 Driver Included
 Special Feature Plug & Play With Jack System
 Color Sandy Black / **Code 19154**
 Color Sandy White / **Code 19153**



Ceiling / Wall Base for 24V Light System

Power 100W
 Input 220-240V, 50/60Hz
 Output 24V
 Dimensions Ø: 15.5cm H: 7.6cm
 Dimmable Triac ○
 Material Aluminium
 Driver Included
 Special Feature Plug & Play With Jack System
 Remote Control Included
 Color Sandy Black / **Code 19156**
 Color Sandy White / **Code 19155**



Power 5W
 Input 24V
 Color Temperature 3000K
 Lumen 475Lm
 Cri 80
 Dimensions Ø: 6cm H: 10cm
 Dimmable Triac ○
 Material Aluminium - PC Diffuser
 Special Feature Plug & Play With Jack System
 180cm Cable Adjustable
 Color Sandy Black / **Code 19168**
 Color Sandy White / **Code 19167**



LINEAR & CIRCLES | p.122-143

Customize Architectural Lighting

Different Dimming: On-Off, Dali, Bluetooth

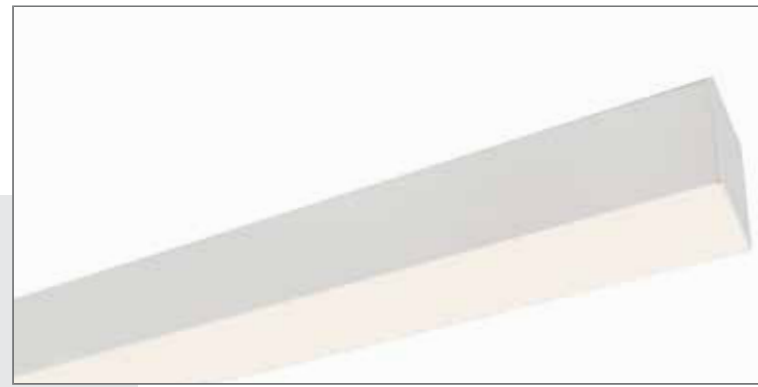
Different CCT: 2200K - 6500K

Different Colors

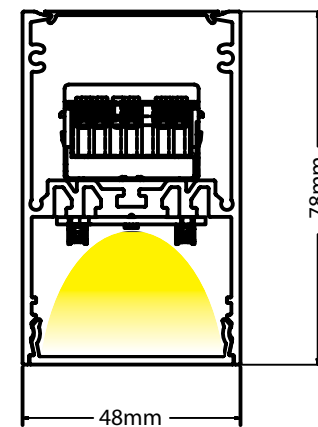
Different Levels of Lumen Output

Different Dimension Upon Request

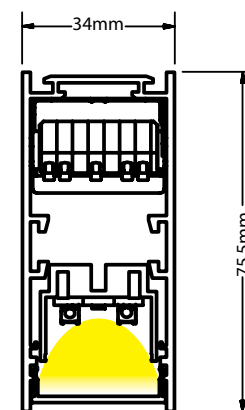




48mm LED profile luminaire, made of an extruded aluminium, power-coated with fine sandy finish. Designed for ceiling/pendant/trimless/recessed, providing direct light emission through a diffuser made either of satined polycarbonate for an almost homogeneous emission of light. Luminaire equipped with the latest generation of well known LED boards with small color tolerance.



34mm LED profile luminaire, made of an extruded aluminium, power-coated with fine sandy finish. Designed for ceiling/pendant/trimless/recessed mounting, providing direct light emission through PMMA diffuser. Luminaire equipped with the latest generation of well known LED boards with small color tolerance.



In the following Electrical Table, you may find Watt and Lumen Output,

High Efficiency (HE) 200Lm/W - 3357Lm/m, High Output (HO) 188Lm/W - 5640Lm/m accordingly to the length of our LED profile

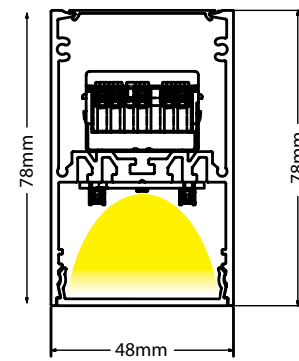
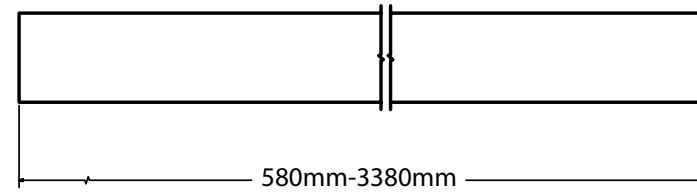
Set HO		Lumen		Set HE		Lumen	
Length (cm)	Watt	3000K	4000K	Length (cm)	Watt	3000K	4000K
58	18	2565	2700	58	10	1577	1660
86	27	3848	4050	86	15	2366	2490
114	36	5130	5400	114	20	3154	3320
142	45	6413	6750	142	25	3943	4150
170	54	7695	8100	170	30	4731	4980
198	63	8978	9450	198	35	5520	5810
226	72	10260	10800	226	40	6308	6640
254	81	11543	12150	254	45	7097	7470
282	90	12825	13500	282	50	7885	8300
310	99	14108	14850	310	55	8674	9130
338	108	15390	16200	338	60	9462	9960

CUSTOM MADE PRODUCTS...





Ceiling Profile



Ceiling Your Code : **51**

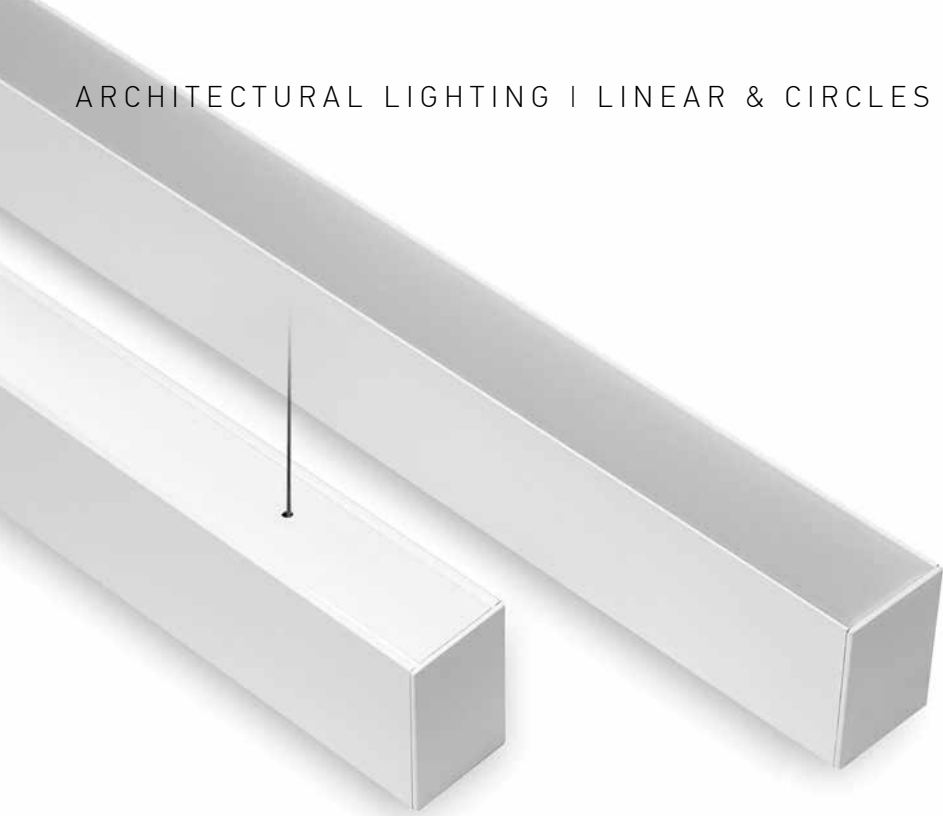
Length	Driver	Kelvin	Set	Body Color

Select technical features to configure your code.

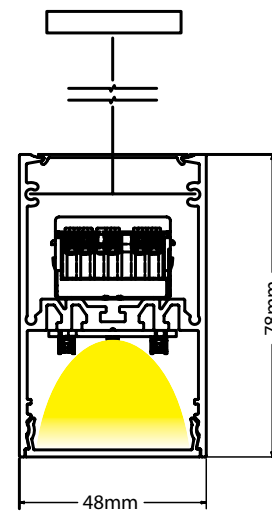
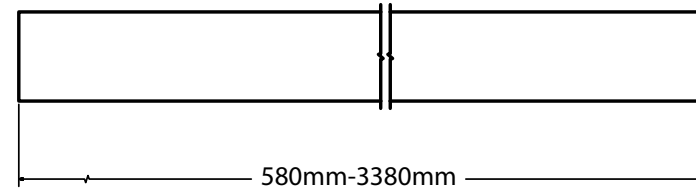
Length*	Driver	Kelvin	Set	Body Color
058 = 58cm	0 = ON-OFF	3 = 3000K	E = HE	W = SANDY WHITE
086 = 86cm	D = DALI	4 = 4000K	O = HO	B = SANDY BLACK
114 = 114cm				G = SANDY GREY
142 = 142cm				
170 = 170cm				
198 = 198cm				
226 = 226cm				
254 = 254cm				
282 = 282cm				
310 = 310cm				
338 = 338cm				

*Make your choices from the above dimensions only. Is not an open edit length profile.





Pendant Profile



Pendant Your Code : **52**

Length	Driver	Kelvin	Set	Body Color
--------	--------	--------	-----	------------

Select technical features to configure your code.

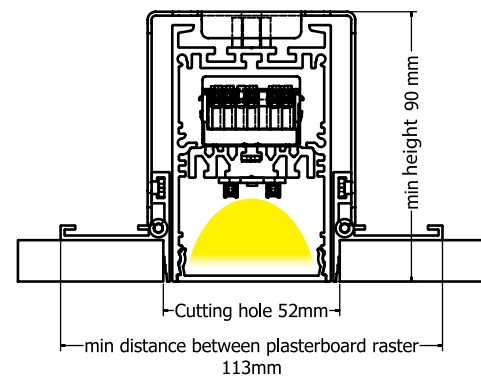
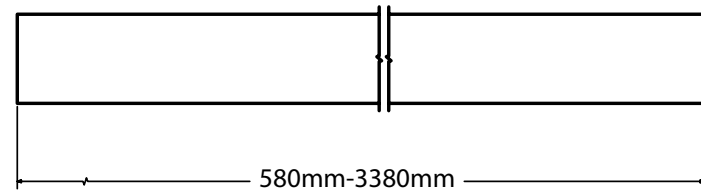
Length*	Driver	Kelvin	Set	Body Color
058 = 58cm	O = ON-OFF	3 = 3000K	E = HE	W = SANDY WHITE
086 = 86cm	D = DALI	4 = 4000K	O = HO	B = SANDY BLACK
114 = 114cm				G = SANDY GREY
142 = 142cm				
170 = 170cm				
198 = 198cm				
226 = 226cm				
254 = 254cm				
282 = 282cm				
310 = 310cm				
338 = 338cm				

*Make your choices from the above dimensions only. Is not an open edit length profile.





Trimless Profile



Trimless Your Code : **53**

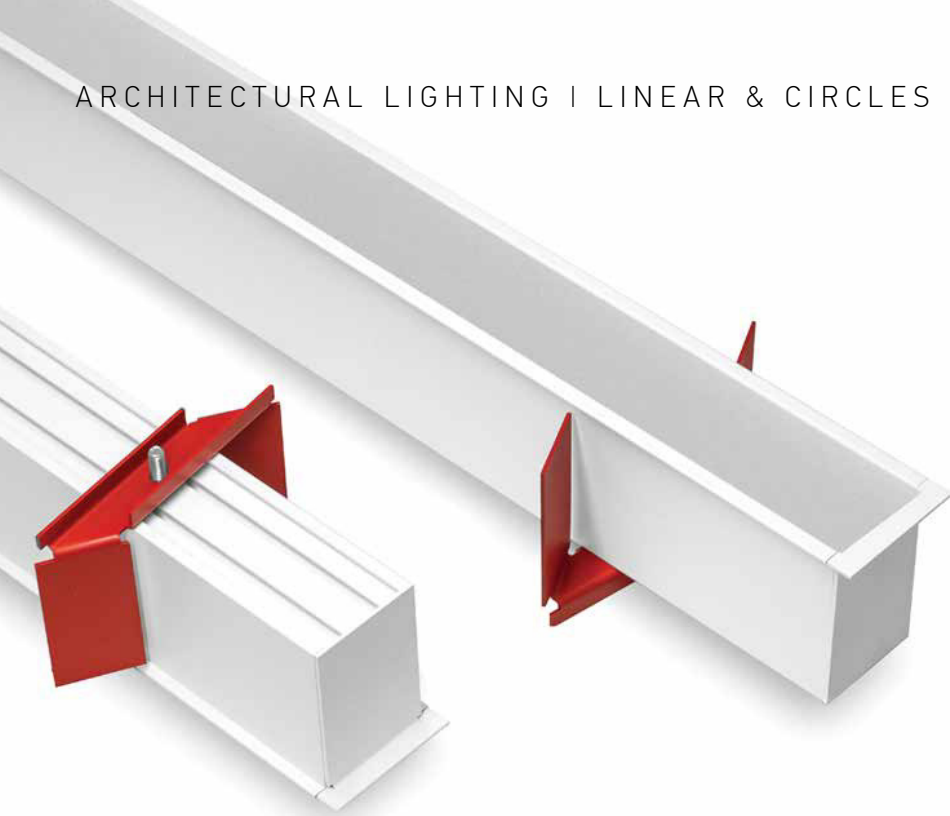
Length	Driver	Kelvin	Set	Body Color
58	O = ON-OFF D = DALI	3 = 3000K 4 = 4000K	E = HE O = HO	W = SANDY WHITE B = SANDY BLACK

Select technical features to configure your code.

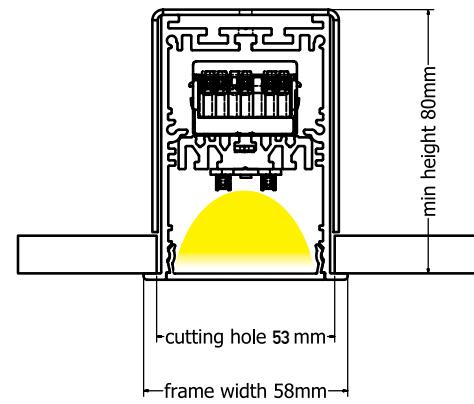
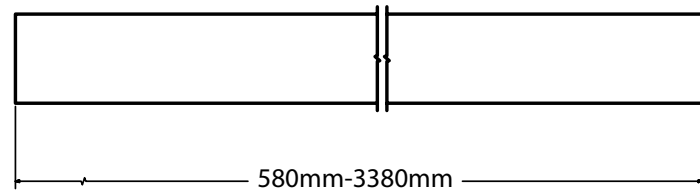
Length*	Driver	Kelvin	Set	Body Color
058 = 58cm	O = ON-OFF D = DALI	3 = 3000K 4 = 4000K	E = HE O = HO	W = SANDY WHITE B = SANDY BLACK
086 = 86cm				
114 = 114cm				
142 = 142cm				
170 = 170cm				
198 = 198cm				
226 = 226cm				
254 = 254cm				
282 = 282cm				
310 = 310cm				
338 = 338cm				

*Make your choices from the above dimensions only. Is not an open edit length profile.





Recessed Profile



Recessed Your Code : **54**

Length	Driver	Kelvin	Set	Body Color
--------	--------	--------	-----	------------

Select technical features to configure your code.

Length*	Driver	Kelvin	Set	Body Color
058 = 58cm	0 = ON-OFF	3 = 3000K	E = HE	W = SANDY WHITE
086 = 86cm	D = DALI	4 = 4000K	O = HO	B = SANDY BLACK
114 = 114cm				
142 = 142cm				
170 = 170cm				
198 = 198cm				
226 = 226cm				
254 = 254cm				
282 = 282cm				
310 = 310cm				
338 = 338cm				

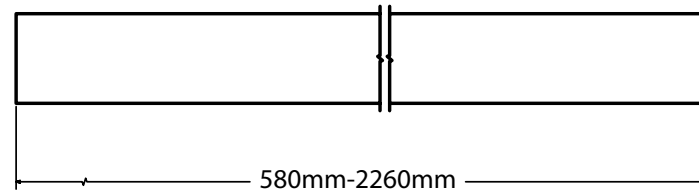
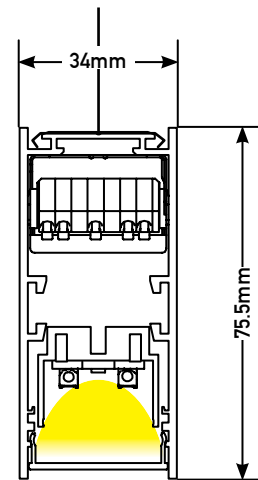
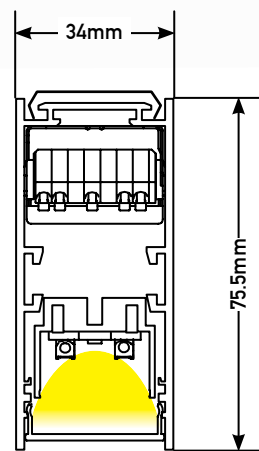
*Make your choices from the above dimensions only. Is not an open edit length profile.





Ceiling Profile

Pendant Profile



Ceiling Your Code : **31** _____
 Length Driver Kelvin Set Body Color

Pendant Your Code : **32** _____
 Length Driver Kelvin Set Body Color

Select technical features to configure your code.

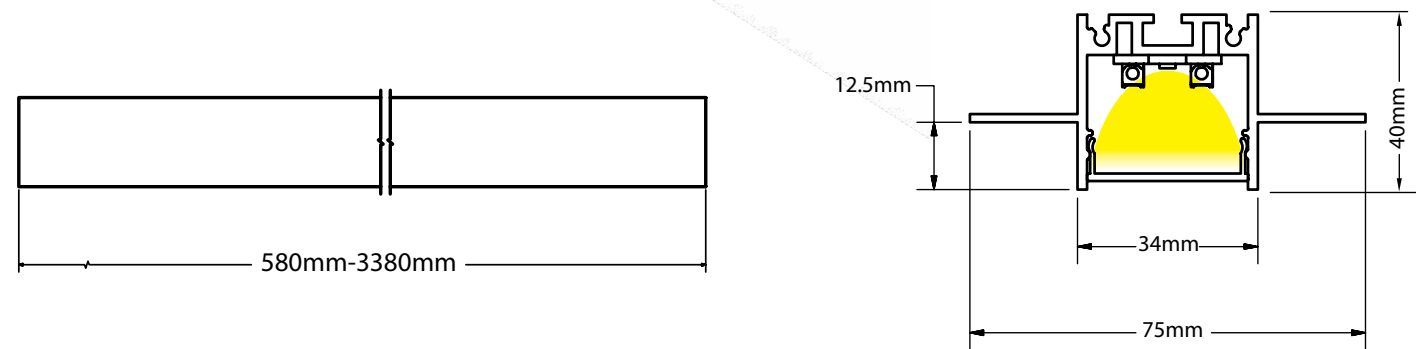
Length*	Driver	Kelvin	Set	Body Color
058 = 58cm	O = ON-OFF	3 = 3000K	E = HE	W = SANDY WHITE
086 = 86cm	D = DALI	4 = 4000K	O = HO	B = SANDY BLACK
114 = 114cm				
142 = 142cm				
170 = 170cm				
198 = 198cm				
226 = 226cm				

*Make your choices from the above dimensions only. Is not an open edit length profile.





Trimless Profile



Trimless Your Code : **33**

Length	Driver	Kelvin	Set	Body Color
--------	--------	--------	-----	------------

Select technical features to configure your code.

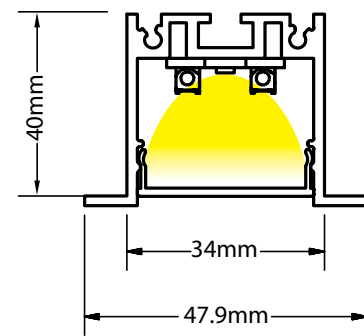
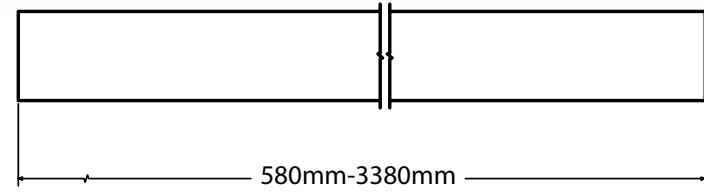
Length*	Driver	Kelvin	Set	Body Color
058 = 58cm	0 = ON-OFF	3 = 3000K	E = HE	W = SANDY WHITE
086 = 86cm	D = DALI	4 = 4000K	O = HO	B = SANDY BLACK
114 = 114cm				
142 = 142cm				
170 = 170cm				
198 = 198cm				
226 = 226cm				
254 = 254cm				
282 = 282cm				
310 = 310cm				
338 = 338cm				

*Make your choices from the above dimensions only. Is not an open edit length profile.





Recessed Profile



Recessed Your Code : **34**

Length	Driver	Kelvin	Set	Body Color
--------	--------	--------	-----	------------

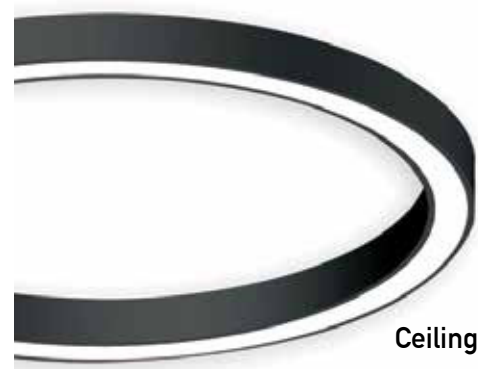
Select technical features to configure your code.

Length*	Driver	Kelvin	Set	Body Color
058 = 58cm	0 = ON-OFF	3 = 3000K	E = HE	W = SANDY WHITE
086 = 86cm	D = DALI	4 = 4000K	O = HO	B = SANDY BLACK
114 = 114cm				
142 = 142cm				
170 = 170cm				
198 = 198cm				
226 = 226cm				
254 = 254cm				
282 = 282cm				
310 = 310cm				
338 = 338cm				

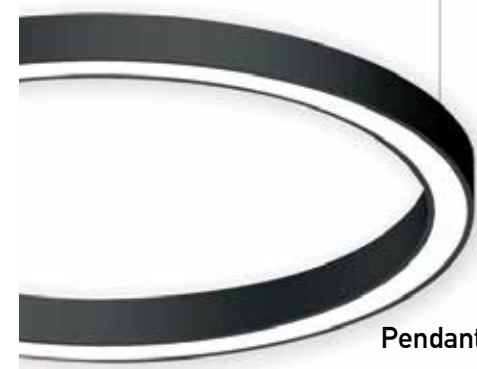
*Make your choices from the above dimensions only. Is not an open edit length profile.







Ceiling Circle



Pendant Circle



Ceiling Your Code : **81** _____
Diameter Kelvin Body Color

Pendant Your Code : **82** _____
Diameter Kelvin Body Color

Select technical features to configure your code.

Diameter*	Kelvin	Body Color
06 = 60cm	3 = 3000K	W = SANDY WHITE
09 = 90cm	4 = 4000K	B = SANDY BLACK
12 = 120cm		
18 = 180cm		

*Make your choices from the above dimensions only. Is not an open edit length profile.

LED Circle Luminaire, made of a curved extruded aluminium, power-coated with fine sandy finish. Designed for ceiling/pendant mounting, providing direct light emission through satined polycarbonate for an almost homogeneous emission of light. Luminaire equipped with the latest generation of well known LED boards. Driver ON/OFF

CUSTOM DIAMETER FROM 50cm UPON REQUEST

High Output			
Diameter (cm)	Watt	3000K (Lumen)	4000K (Lumen)
60	54	7267	7650
90	81	10858	11430
120	116	14449	15210
180	161	21660	22800



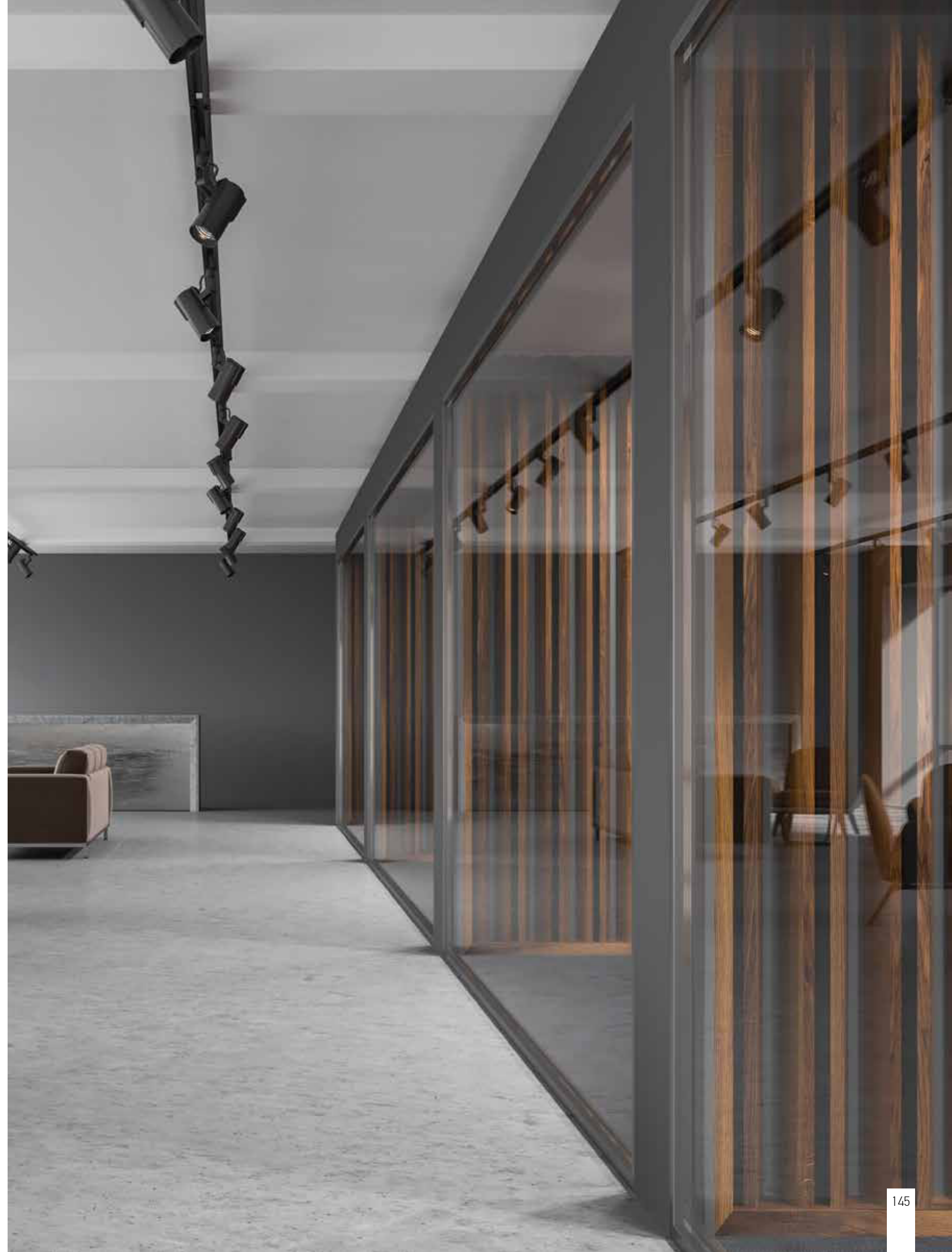


3-PHASE TRACKS & LIGHTS | p.144-165

High quality Track System for the professional lighting market is suitable for track lights with 3-Phase adapters.

A comprehensive range of innovative accessories gives designers maximum freedom to create unique track plans.

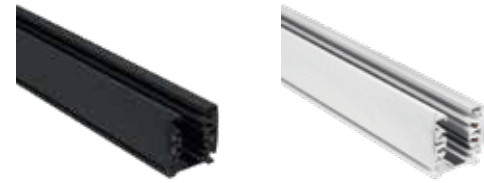
The mounting features make the track system quick and easy to install.



ARCHITECTURAL LIGHTING | 3-PHASE TRACKS & LIGHTS



Dimensions
Description L: 300cm W: 3.2cm H: 3.5cm
Square Track Surface 100-240V
Color Black / **Code 19400**
Color White / **Code 19401**



Dimensions
Description L: 200cm W: 3.2cm H: 3.5cm
Square Track Surface 100-240V
Color Black / **Code 19400-2M**
Color White / **Code 19401-2M**



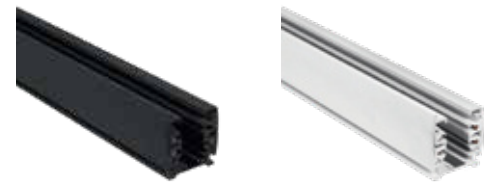
Dimensions
Description L: 17cm W: 10cm H: 3.4cm
T Connector for 3 Circuit Lighting Track
100-240V
Color Black / **Code 19408**
Color White / **Code 19409**



Dimensions
Description L: 10cm W: 10cm H: 3.4cm
Corner for 3 Circuit Lighting Track
100-240V
Special Feature Right Corner / Left Corner
Color Black-Right / **Code 19404-R**
Color Black-Left / **Code 19404-L**
Color White-Right / **Code 19405-R**
Color White-Left / **Code 19405-L**



Dimensions
Description L: 100cm W: 3.2cm H: 3.5cm
Square Track Surface 100-240V
Color Black / **Code 19400-1M**
Color White / **Code 19401-1M**



Dimensions
Description L: 400cm W: 3.2cm H: 3.5cm
Square Track Surface 100-240V
Color Black / **Code 19400-4M**
Color White / **Code 19401-4M**



Dimensions
Description Ø: 11.2cm H: 3.2cm
Surface Mount Base for Track Spots
100-240V
Color Black / **Code 19412**
Color White / **Code 19413**



Dimensions
Description L: 7cm H: 2.6cm
Inner Connector for 3 Circuit Lighting Track
100-240V
Color Black / **Code 19415**
Color White / **Code 19416**



Dimensions
Description L: 17cm H: 3.4cm
Live Connector for 3 Circuit Lighting Track
100-240V
Color Black / **Code 19406**
Color White / **Code 19407**



Dimensions
Description L: 10cm H: 3.4cm
Feeder for 3 Circuit Lighting Track
100-240V
Special Feature Right Feeder / Left Feeder
Color Black-Right / **Code 19402-R**
Color Black-Left / **Code 19402-L**
Color White-Right / **Code 19403-R**
Color White-Left / **Code 19403-L**



Dimensions
Description L: 3.2cm H: 3.2cm
End Cap for 3 Circuit Lighting Track
100-240V
Color Black / **Code 19410**
Color White / **Code 19411**

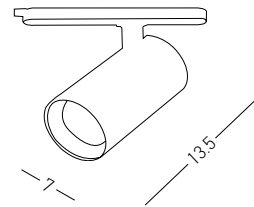


Dimensions
Description L: 17cm H: 3.4cm
Flex Connector for 3 Circuit Lighting Track
100-240V
Color Black / **Code 19430**
Color White / **Code 19431**



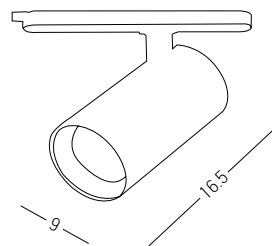
Dimensions
Description 200cm
Adjustable Wire for 3 Circuit Lighting Track
100-240V
Material Metal
Color Metallic / **Code 19414**





Power 20W
 Input 220-240V, 50/60Hz
 Color Temperature 3000K | 4000K
 Lumen 2115Lm
 Cri 80
 Dimensions Ø: 7cm H: 13.5cm
 Material Aluminium
 Special Feature 3 Phase Track Light Driver on Track

Code S065-



Power 38W
 Input 220-240V, 50/60Hz
 Color Temperature 3000K | 4000K
 Lumen 3759Lm
 Cri 80
 Dimensions Ø: 9cm H: 16.5cm
 Material Aluminium
 Special Feature 3 Phase Track Light Driver on Track

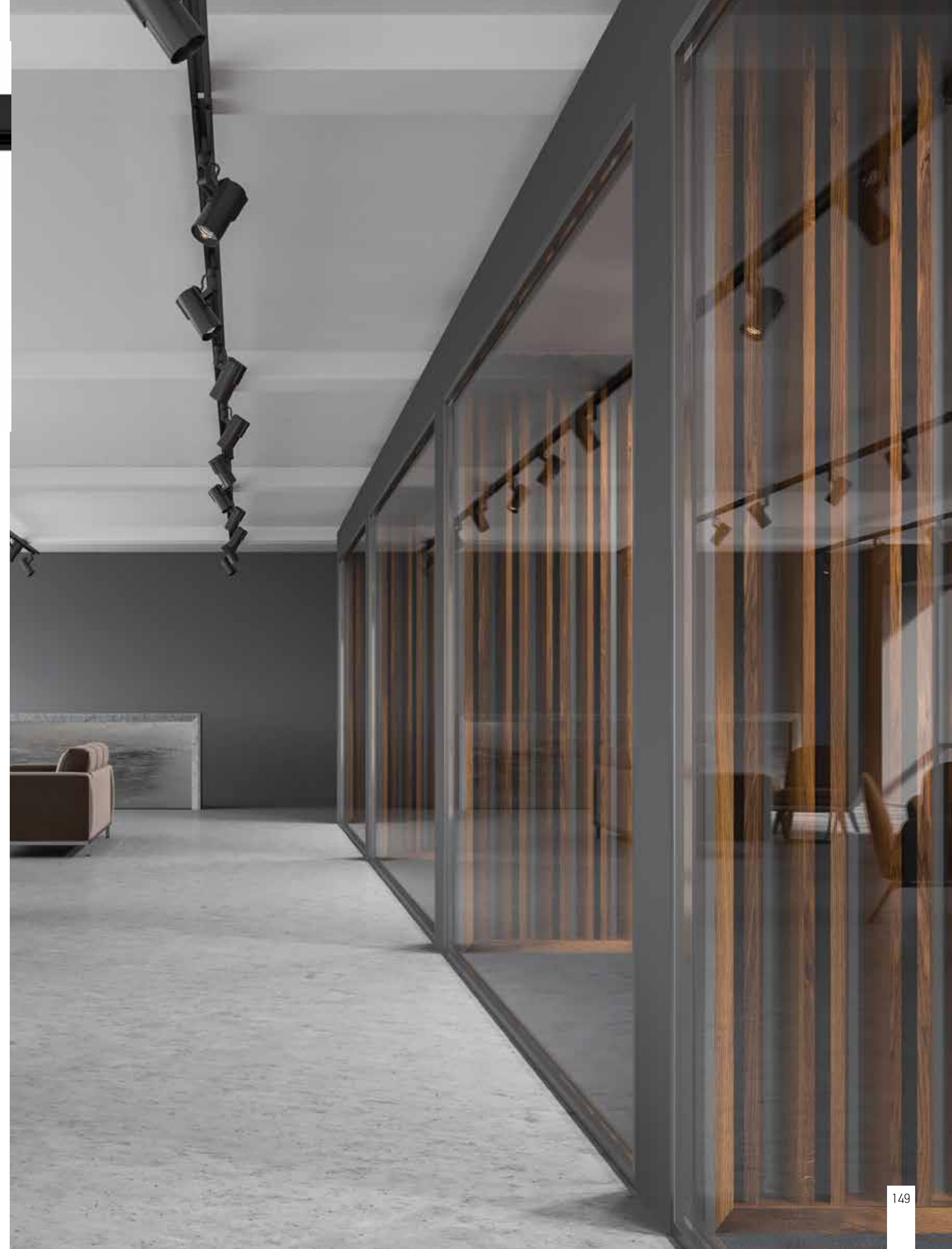
Code S066-

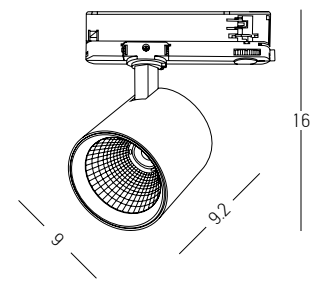
Select technical features to configure your code.

Kelvin	Body Color	Beam Angle
3 = 3000K	W = SANDY WHITE	15 = 15°
4 = 4000K	B = SANDY BLACK	24 = 24°
		36 = 36°

Your Code : **S065-**
 Kelvin Body Color Beam Angle

Your Code : **S066-**
 Kelvin Body Color Beam Angle

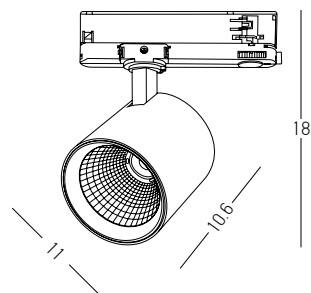




Power 25W
 Input 220-240V, 50/60Hz
 Color Temperature 3000K | 4000K
 Lumen 2460Lm
 Cri 90
 Dimensions Ø: 9cm H: 9.2cm
 Beam Angle 36°
 Material Aluminium
 Special Feature 3 Phase Track Light
 Color 3000K Sandy White / **Code S198**
 Color 3000K Sandy Black / **Code S200**
 Color 4000K Sandy White / **Code S197**
 Color 4000K Sandy Black / **Code S199**

Lens for 25W Spots

Dimensions Ø: 9cm
 Beam Angle 24°
Code LNS197

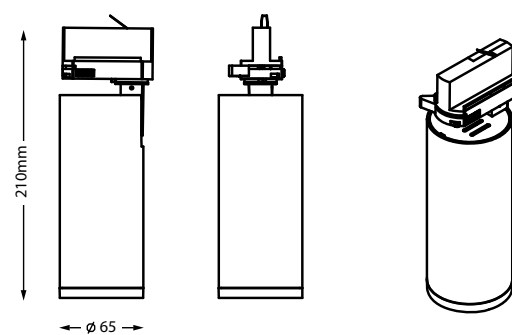


Power 42W
 Input 220-240V, 50/60Hz
 Color Temperature 3000K | 4000K
 Lumen 4130Lm
 Cri 90
 Dimensions Ø: 11cm H: 10.6cm
 Beam Angle 36°
 Material Aluminium
 Special Feature 3 Phase Track Light
 Color 3000K Sandy White / **Code S202**
 Color 4000K Sandy White / **Code S201**
 Color 4000K Sandy Black / **Code S203**

Lens for 42W Spots

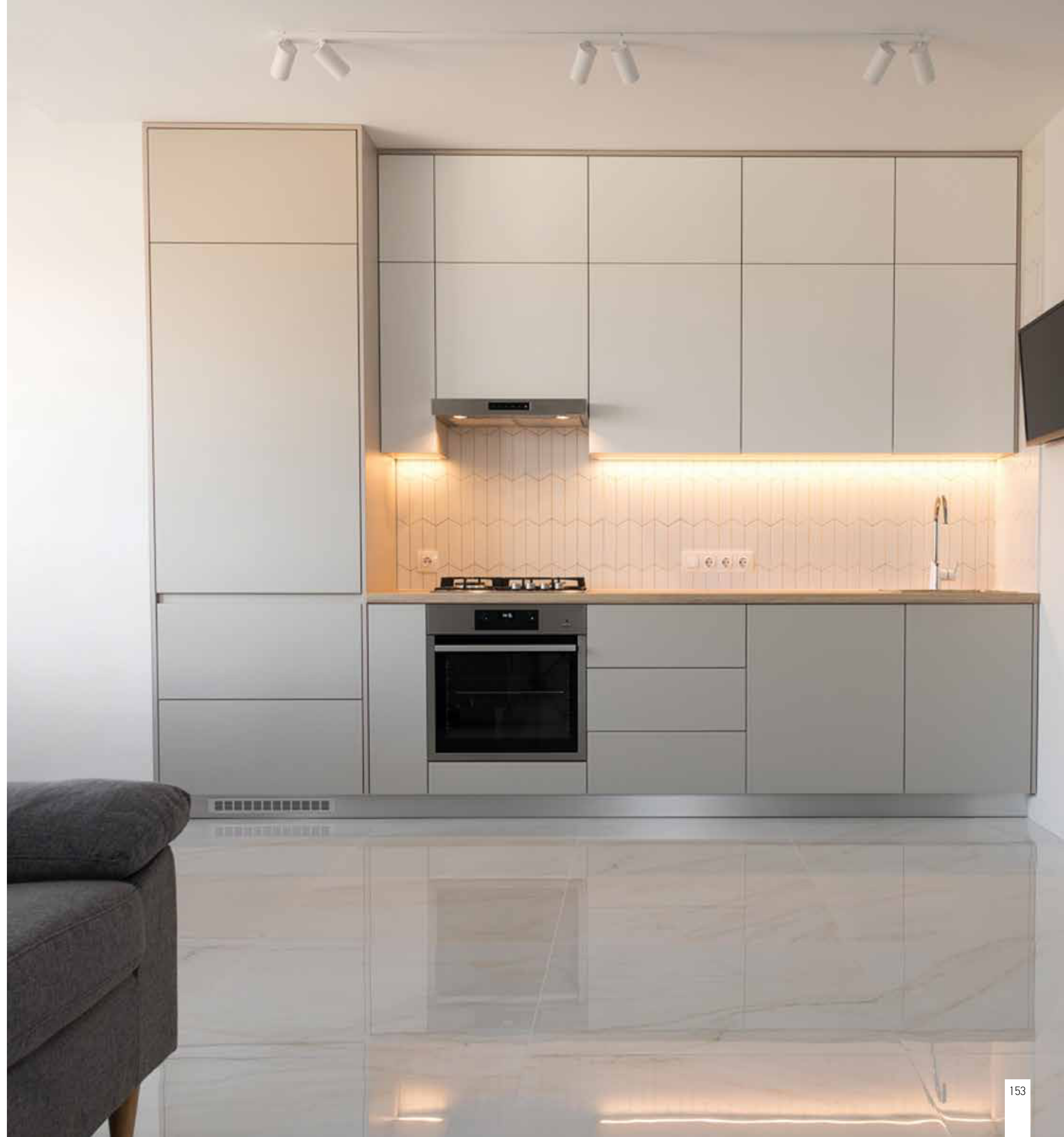
Dimensions Ø: 11cm
 Beam Angle 24°
Code LNS202

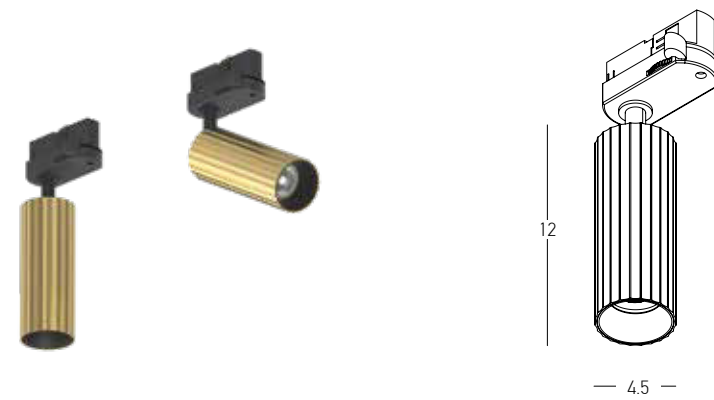




Power 15W
 Input 220-240V, 50/60Hz
 Color Temperature 3000K | 4000K
 Lumen 1800Lm
 Cri 80
 Dimensions Ø: 6.5cm H: 16cm
 Non Dimmable
 Material Aluminium
 Special Feature 3 Phase Track Light

Color 3000K Sandy Black / **Code 18303**
 Color 3000K Sandy White / **Code 18304**
 Color 4000K Sandy Black / **Code 18305**
 Color 4000K Sandy White / **Code 18306**

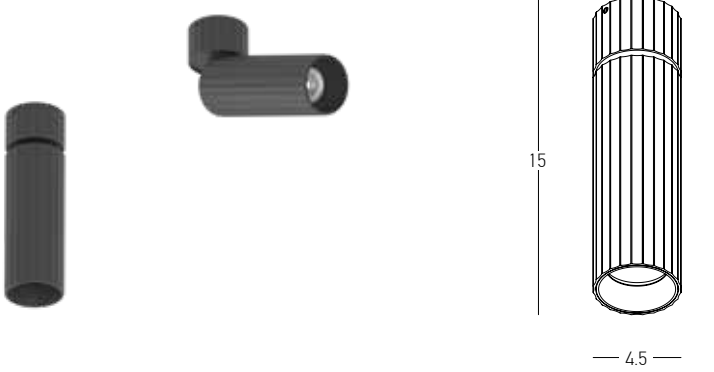




Power 7W
 Input 220-240V, 50/60Hz
 Color Temperature 3000K
 Lumen 580Lm
 Cri 90
 Dimensions Ø: 4.5cm H: 12cm
 Beam Angle 36°
 Material Aluminium
 Special Feature 3 Phase Track Light
 Color Brushed Brass / **Code S114**
 Color White Matt / **Code S115**
 Color Black Matt / **Code S116**



Power 7W
 Input 220-240V, 50/60Hz
 Color Temperature 3000K
 Lumen 580Lm
 Cri 90
 Dimensions Ø: 4.5cm H: 12cm
 Base Ø: 5.5cm
 Beam Angle 36°
 Cutting Hole Ø: 4cm
 Material Aluminium
 Special Feature Recessed Track Light
 Included LED Driver
 Color Brushed Brass / **Code S117**
 Color White Matt / **Code S118**
 Color Black Matt / **Code S119**



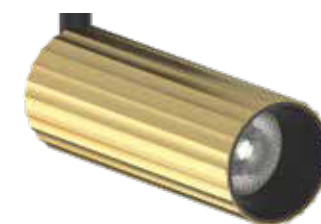
Power 7W
 Input 220-240V, 50/60Hz
 Color Temperature 3000K
 Lumen 580Lm
 Cri 90
 Dimensions Ø: 4.5cm H: 15cm
 Base Ø: 4.5cm H: 3cm
 Beam Angle 36°
 Material Aluminium
 Special Feature Included LED Driver
 Color Brushed Brass / **Code S120**
 Color White Matt / **Code S121**
 Color Black Matt / **Code S122**



Bulb 1x GU10
 Power 40W MAX
 Input 220-240V, 50/60Hz
 Dimensions Ø: 5.2cm H: 12.8cm
 Spot Ø: 5.2cm H: 9.3cm
 Base Ø: 5.2cm H: 3cm
 Material Aluminium
 Special Feature Included LED Driver
 Color White Sandy / **Code S123**
 Color Black Sandy / **Code S124**



Model Finishing



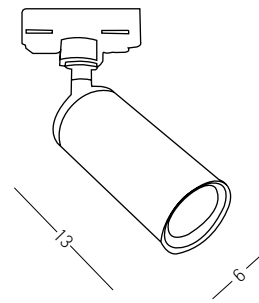
Brushed Brass



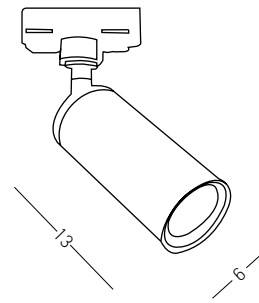
White Matt



Black Matt

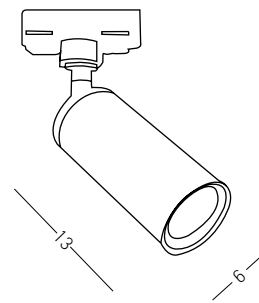


Bulb 1x GU10
 Power 35W MAX
 Dimensions Ø: 6cm H: 13cm
 Material Aluminium
 Special Feature 3 Phase Track Light
 Color Black Matt / **Code S059**
 Color White Matt / **Code S058**



Power 9W
 Input 220-240V, 50/60Hz
 Color Temperature 3000K
 Lumen 1000Lm
 Cri 90
 Dimensions Ø: 6cm H: 13cm
 Beam Angle 15° / 24° / 40°
 Material Aluminium
 Special Feature 3 Phase Track Light
 Included LED Driver
 Color Black Matt / **Code S059-15**
 Color Black Matt / **Code S059-24**
 Color Black Matt / **Code S059-40**
 Color White Matt / **Code S058-15**
 Color White Matt / **Code S058-24**
 Color White Matt / **Code S058-40**

OSRAM

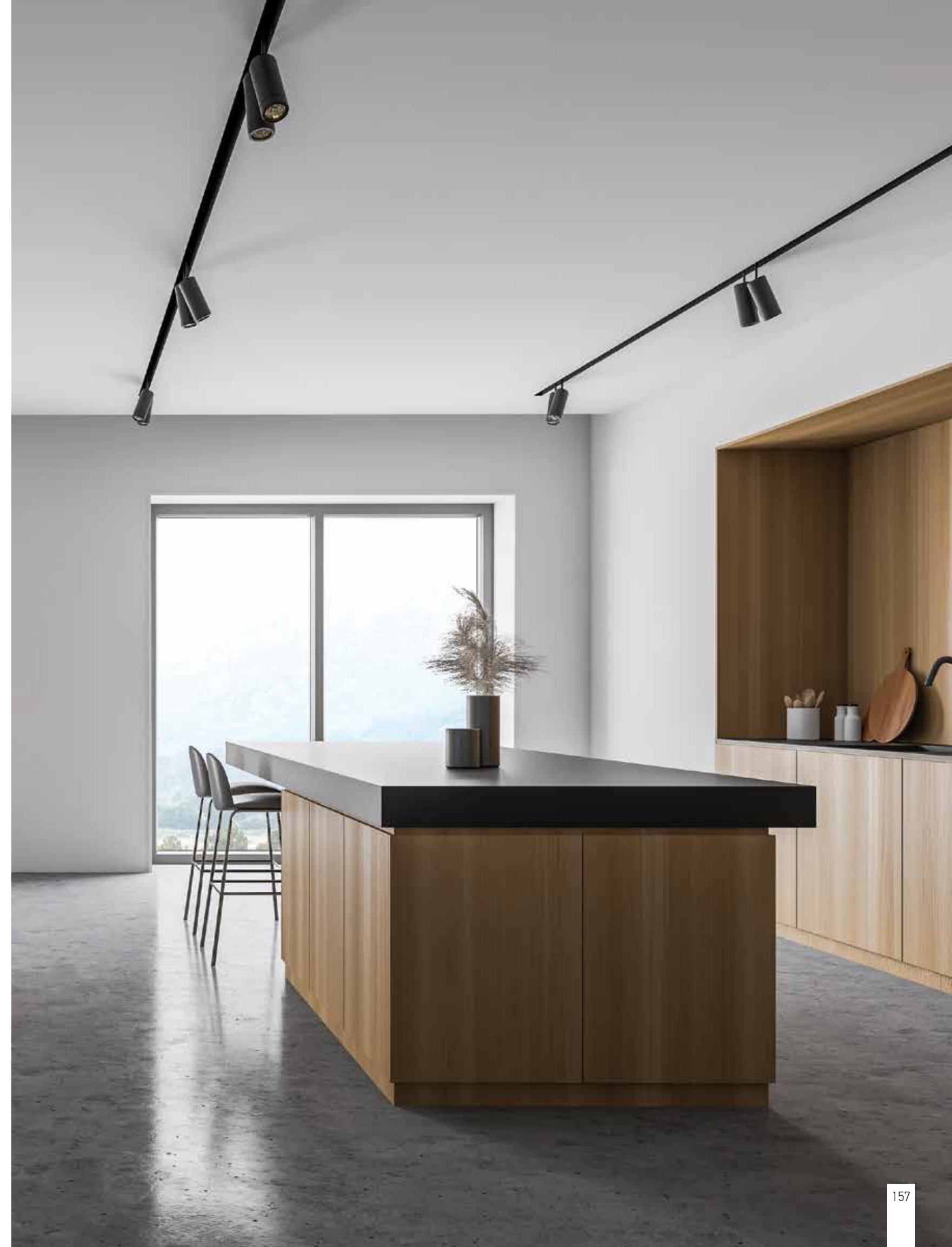


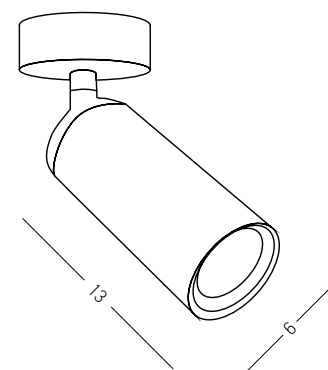
Bulb 1x GU10
 Power 35W MAX
 Dimensions Ø: 6cm H: 13cm
 Material Aluminium
 Special Feature 3 Phase Track Light
 Color Black Matt / **Code S062**

Power 9W
 Input 220-240V, 50/60Hz
 Color Temperature 3000K
 Lumen 1000Lm
 Cri 90
 Dimensions Ø: 6cm H: 13cm
 Beam Angle 15° / 24° / 40°
 Material Aluminium
 Special Feature 3 Phase Track Light
 Included LED Driver

Color Black Matt / **Code S062-15**
 Color Black Matt / **Code S062-24**
 Color Black Matt / **Code S062-40**

OSRAM

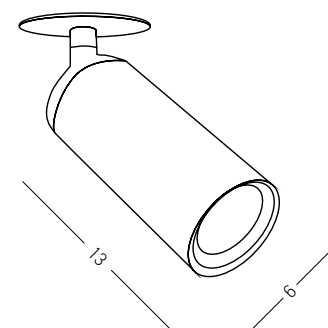




Bulb 1x GU10
 Power 35W MAX
 Dimensions Ø: 6cm H: 20cm
 Cylinder Ø: 6cm H: 13cm
 Base Ø: 6cm H: 3cm
 Material Aluminium
 Color Black Matt / **Code S055**
 Color White Matt / **Code S054**

Power 9W
 Input 220-240V, 50/60Hz
 Color Temperature 3000K
 Lumen 1000Lm
 Cri 90
 Dimensions Ø: 6cm H: 20cm
 Cylinder Ø: 6cm H: 13cm
 Base Ø: 6cm H: 3cm
 Beam Angle 15° / 24° / 40°
 Material Aluminium
 Special Feature Included LED Driver
 Color Black Matt / **Code S055-15**
 Color Black Matt / **Code S055-24**
 Color Black Matt / **Code S055-40**
 Color White Matt / **Code S054-15**
 Color White Matt / **Code S054-24**
 Color White Matt / **Code S054-40**

OSRAM

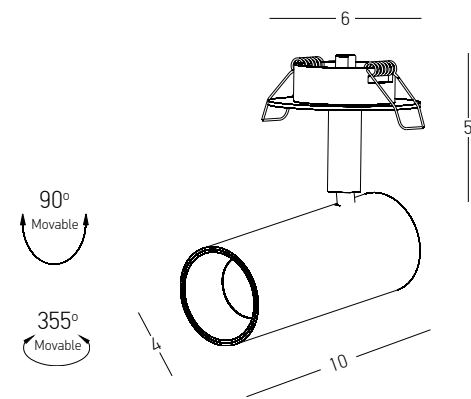


Bulb 1x GU10
 Power 35W MAX
 Dimensions Ø: 6cm H: 17cm
 Cylinder Ø: 6cm H: 13cm
 Base Ø: 6cm
 Cutting Hole Ø: 5cm
 Material Aluminium
 Special Feature Recessed Track Light
 Color Black Matt / **Code S057**
 Color White Matt / **Code S056**

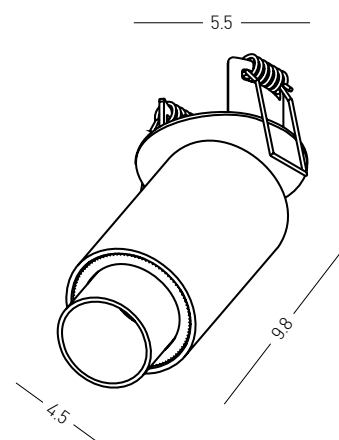
Power 9W
 Input 220-240V, 50/60Hz
 Color Temperature 3000K
 Lumen 1000Lm
 Cri 90
 Dimensions Ø: 6cm H: 17cm
 Cylinder Ø: 6cm H: 13cm
 Base Ø: 6cm
 Beam Angle 15° / 24° / 40°
 Cutting Hole Ø: 5cm
 Material Aluminium
 Special Feature Recessed Track Light
 Included LED Driver
 Color Black Matt / **Code S057-15**
 Color Black Matt / **Code S057-24**
 Color Black Matt / **Code S057-40**
 Color White Matt / **Code S056-15**
 Color White Matt / **Code S056-24**
 Color White Matt / **Code S056-40**

OSRAM

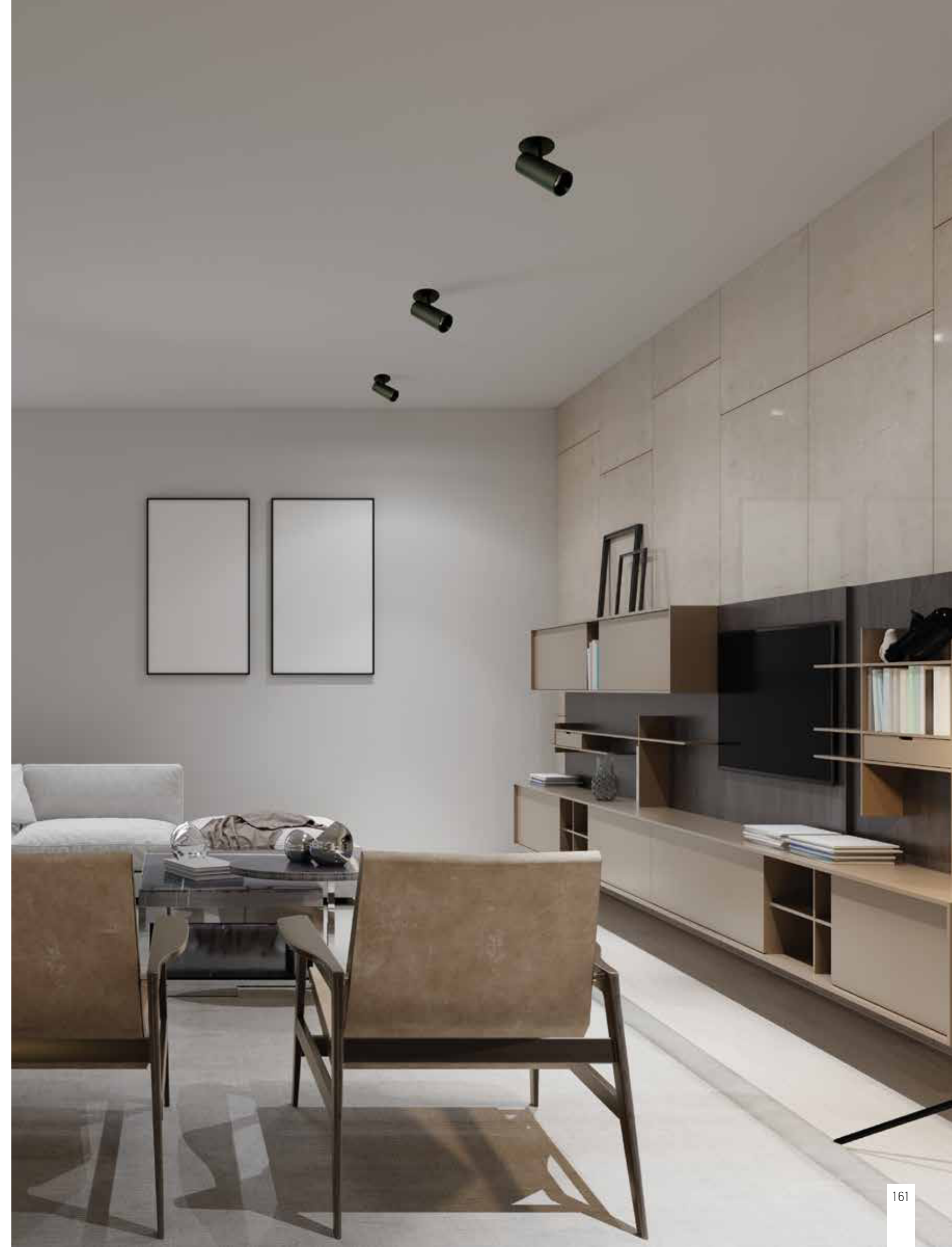


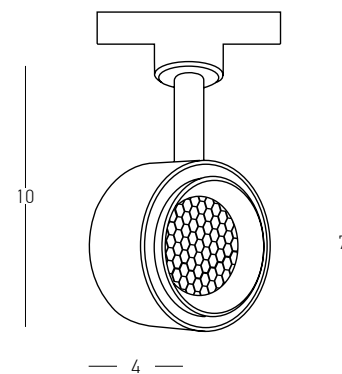


Power 1x 7W COB LED
 Input 20V / 350mA
 Color Temperature 3000K
 Lumen 660Lm
 Cri 90
 Dimensions Ø: 4cm H: 10cm
 Beam Angle 36°
 Cutting Hole Ø: 4.5cm
 Base Ø: 6cm
 Material Aluminium
 Suggested On-Off Driver LSCW350P for 1 Fixture
 Suggested DALI Driver 4062172151252 for 1 Fixture
 Special Feature Rotation and Tilt Up-Down
 Color Sandy White / **Code 180015**
 Sandy Black / **Code 180017**



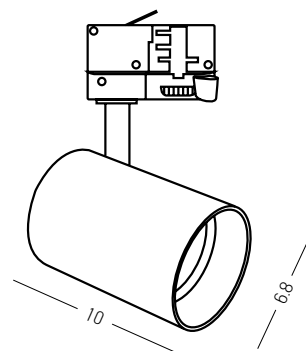
Power 8W
 Input 220-240V, 50/60Hz
 Color Temperature 3000K
 Lumen 700Lm
 Cri 80
 Dimensions Ø: 4.5cm H: 9.8cm
 Beam Angle 15-30° Adjustable
 Cutting Hole Ø: 5cm
 Base Ø: 5.5cm
 Material Aluminium
 Suggested DALI Driver 4062172151252 for 1 Fixture
 Special Feature Rotation and Tilt Up-Down
 Recessed Zoomable Spot
 Included LED Driver / 350mA
 Color Sandy White - Black / **Code 1928**
 Sandy Black / **Code 1928-B**





Power 8W
 Input 220-240V, 50/60Hz
 Color Temperature 3000K
 Lumen 600Lm
 Cri 80
 Dimensions Ø: 7cm L: 4cm H: 10cm
 Beam Angle 36°
 Dimmable Triac
 Material Aluminium
 Special Feature 3 Phase Track Light
 Included Honeycomb

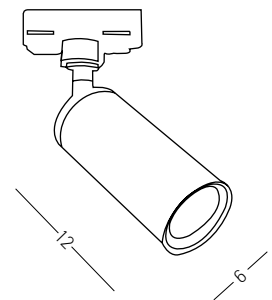
Color Sandy Black / **Code Z65644T-B**
 Sandy White / **Code Z65644T-W**



Bulb 1x GU10 LED
 Power 10W MAX
 Input 220-240V, 50/60Hz
 Dimensions Ø: 6.8cm H: 10cm
 Material Aluminium
 Special Feature 3 Phase Track Light

Color Brushed Brass / **Code Z65105NT-BB**
 Metal Grey / **Code Z65105NT-G**





Bulb 1x GU10
 Power 35W MAX
 Dimensions Ø: 6cm H: 12cm
 Material Aluminium
 Special Feature 3 Phase Track Light
 Color Sandy Black / **Code S038**
 Color Sandy White / **Code S037**

Material Aluminium
 Color Gold / **Code Ring G**



DOWNLIGHT RECESSED & TRIMLESS LED SPOTS | p.166-201



Small Size

Short Body

High Power

360°
Rotation Angle

30°
Beam Angle

Easy Installation , Easy Dismount...

Recessed Spot Installation



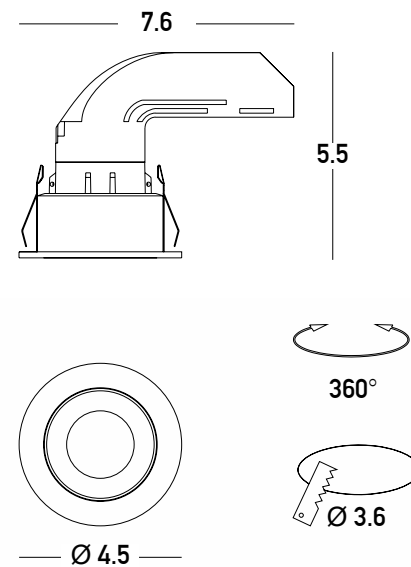
Trimless Spot Installation



Two Steps Dismount

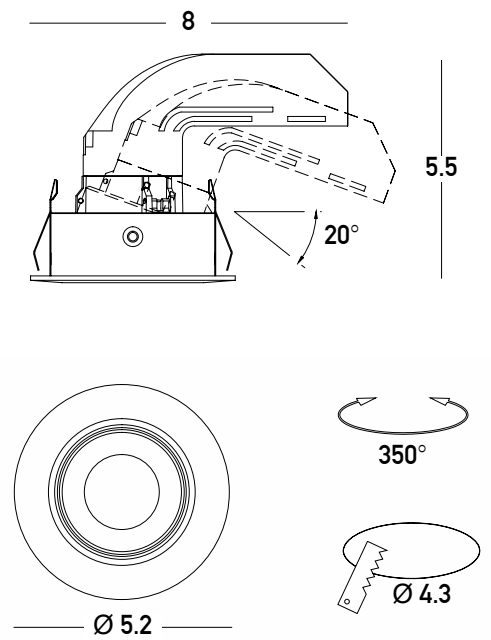


Power 6.5W
 Input 36V, 150mA
 Color Temperature 2700K
 Lumen 331Lm
 Cri 90
 Dimensions Ø: 4.5cm L: 7.6cm H: 5.5cm
 Beam Angle 30°
 Cutting Hole Ø: 3.6cm
 Depth Required JTl: 6cm
 Material Aluminium
 Suggested On-Off Driver LS-6-150 for 1 Fixture (pass from the hole)
 Suggested DALI Driver 4062172151252 for 1 Fixture (remote application)
 Color White Matt / **Code S135**



Power 6.5W
 Input 36V, 150mA
 Color Temperature 3000K
 Lumen 361Lm
 Cri 90
 Dimensions Ø: 4.5cm L: 7.6cm H: 5.5cm
 Beam Angle 30°
 Cutting Hole Ø: 3.6cm
 Depth Required JTl: 6cm
 Material Aluminium
 Suggested On-Off Driver LS-6-150 for 1 Fixture (pass from the hole)
 Suggested DALI Driver 4062172151252 for 1 Fixture (remote application)
 Color White Matt / **Code S136**

Power 6.5W
 Input 36V, 150mA
 Color Temperature 2700K
 Lumen 331Lm
 Cri 90
 Dimensions Ø: 5.2cm L: 8cm H: 5.5cm
 Beam Angle 30°
 Cutting Hole Ø: 4.3cm
 Depth Required JTl: 6cm
 Material Aluminium
 Suggested On-Off Driver LS-6-150 for 1 Fixture (pass from the hole)
 Suggested DALI Driver 4062172151252 for 1 Fixture (remote application)
 Special Feature Adjustable
 Color White Matt / **Code S139**



Power 6.5W
 Input 36V, 150mA
 Color Temperature 3000K
 Lumen 361Lm
 Cri 90
 Dimensions Ø: 5.2cm L: 8cm H: 5.5cm
 Beam Angle 30°
 Cutting Hole Ø: 4.3cm
 Depth Required JTl: 6cm
 Material Aluminium
 Suggested On-Off Driver LS-6-150 for 1 Fixture (pass from the hole)
 Suggested DALI Driver 4062172151252 for 1 Fixture (remote application)
 Special Feature Adjustable
 Color White Matt / **Code S140**



CODE	mA	Watt	V
LS-6-150	150	6	27-40



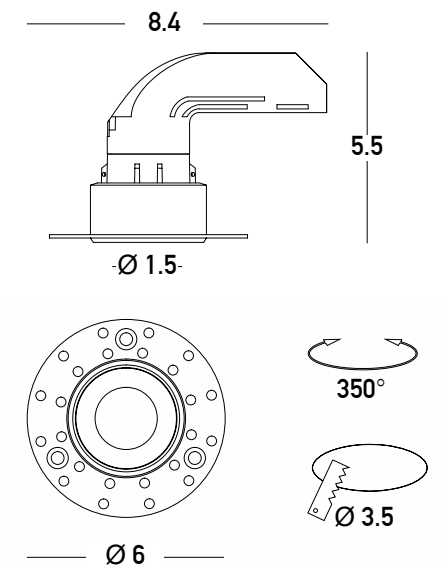
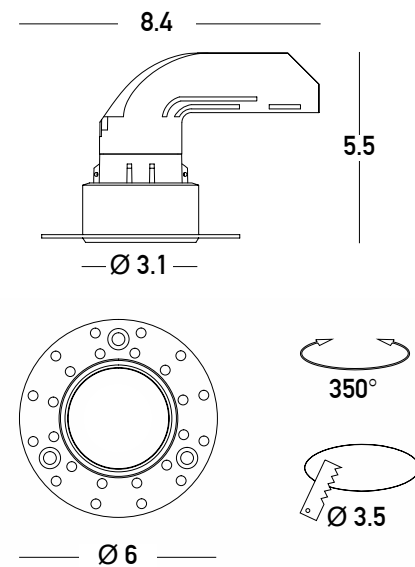
CODE	mA	Watt	V
4062172151252	150-700	10	2.5-45

Power 6.5W
 Input 36V, 150mA
 Color Temperature 2700K
 Lumen 331Lm
 Cri 90
 Dimensions Ø: 3.1cm L: 8.4cm H: 5.5cm
 Beam Angle 30°
 Cutting Hole Ø: 3.5cm
 Depth Required JTl: 6cm
 Material Aluminium
 Suggested On-Off Driver LS-6-150 for 1 Fixture (pass from the hole)
 Suggested DALI Driver 4062172151252 for 1 Fixture (remote application)
 Color White Matt / **Code S137**

Power 6.5W
 Input 36V, 150mA
 Color Temperature 2700K
 Lumen 260Lm
 Cri 90
 Dimensions Ø: 1.5cm L: 8.4cm H: 5.5cm
 Beam Angle 30°
 Cutting Hole Ø: 3.5cm
 Depth Required JTl: 6cm
 Material Aluminium
 Suggested On-Off Driver LS-6-150 for 1 Fixture (pass from the hole)
 Suggested DALI Driver 4062172151252 for 1 Fixture (remote application)
 Color White Matt / **Code S141**

Power 6.5W
 Input 36V, 150mA
 Color Temperature 3000K
 Lumen 361Lm
 Cri 90
 Dimensions Ø: 3.1cm L: 8.4cm H: 5.5cm
 Beam Angle 30°
 Cutting Hole Ø: 3.5cm
 Depth Required JTl: 6cm
 Material Aluminium
 Suggested On-Off Driver LS-6-150 for 1 Fixture (pass from the hole)
 Suggested DALI Driver 4062172151252 for 1 Fixture (remote application)
 Color White Matt / **Code S138**

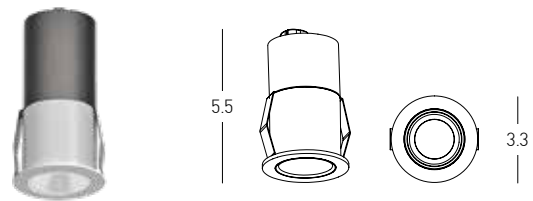
Power 6.5W
 Input 36V, 150mA
 Color Temperature 3000K
 Lumen 282Lm
 Cri 90
 Dimensions Ø: 1.5cm L: 8.4cm H: 5.5cm
 Beam Angle 30°
 Cutting Hole Ø: 3.5cm
 Depth Required JTl: 6cm
 Material Aluminium
 Suggested On-Off Driver LS-6-150 for 1 Fixture (pass from the hole)
 Suggested DALI Driver 4062172151252 for 1 Fixture (remote application)
 Color White Matt / **Code S142**



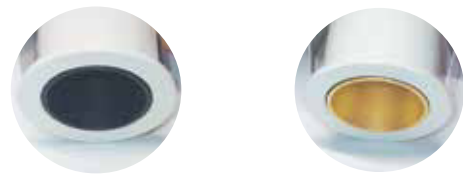
CODE	mA	Watt	V
LS-6-150	150	6	27-40



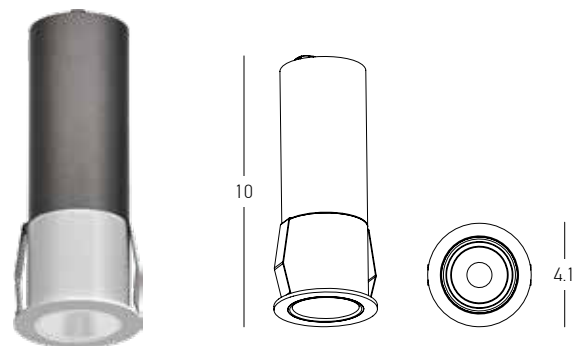
CODE	mA	Watt	V
4062172151252	150-700	10	2.5-45



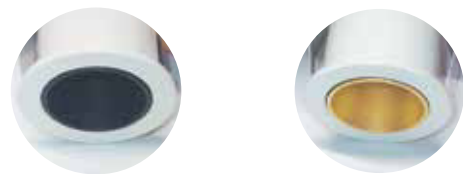
Power 3W
 Input 3V / 700mA
 Color Temperature 2700K | 3000K
 Lumen 176-195Lm
 Cri 90
 Dimensions Ø: 3.3cm H: 5.5cm
 Beam Angle 35°
 Cutting Hole Ø: 3cm
 Depth Required ∩∩ : 5.5cm
 Material Aluminium
 Suggested On-Off Driver LS-3-700 for 1 Fixture (pass from the hole)
 Suggested DALI Driver 4062172151252 for 1 Fixture (remote application)
 Color 3000K White Matt / **Code S181**
 Color 2700K White Matt / **Code S182**



Material Aluminium
 Color Gold / **Code RFL G 181**
 Color Black Matt / **Code RFL B 181**



Power 7.5W
 Input 36V / 180mA
 Color Temperature 2700K | 3000K
 Lumen 466-517Lm
 Cri 90
 Dimensions Ø: 4.1cm H: 10cm
 Beam Angle 38°
 Cutting Hole Ø: 3.6cm
 Depth Required ∩∩ : 10.5cm
 Material Aluminium
 Suggested On-Off Driver D-OT FIT8 for 1 Fixture (pass from the hole)
 Suggested DALI Driver 4062172151252 for 1 Fixture (remote application)
 Color 3000K White Matt / **Code S183**
 Color 2700K White Matt / **Code S184**



Material Aluminium
 Color Gold / **Code RFL G 185**
 Color Black Matt / **Code RFL B 185**

Lens for S183-S184-S185-S186

Dimensions Ø: 2.6cm
 Beam Angle 20°
Code LNS 20 183



OSRAM

CODE	mA	Watt	V
D-OT FIT8	80-180	8	30-42



CODE	mA	Watt	V
LS-3-700	700	3	max 10



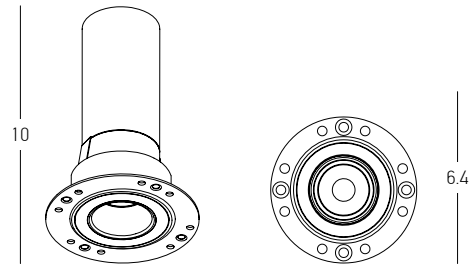
OSRAM

CODE	mA	Watt	V
4062172151252	150-700	10	2.5-45



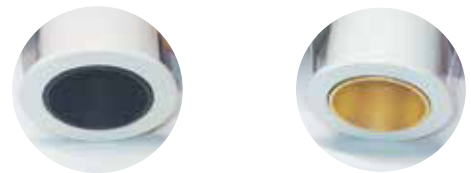


Power 7.5W
 Input 36V / 180mA
 Color Temperature 2700K | 3000K
 Lumen 466-517Lm
 Cri 90
 Dimensions Ø: 4.1cm H: 10cm
 Beam Angle 35°
 Cutting Hole Ø: 4.4cm
 Depth Required Υ : 10.5cm
 Material Aluminium
 Suggested On-Off Driver D-OT FIT8 for 1 Fixture (pass from the hole)
 Suggested DALI Driver 4062172151252 for 1 Fixture (remote application)
 Color 3000K White Matt / **Code S185**
 Color 2700K White Matt / **Code S186**



Lens for S183-S184-S185-S186

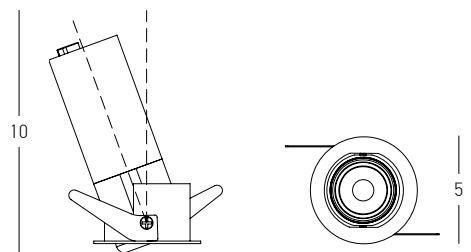
Dimensions Ø: 2.6cm
 Beam Angle 20°
Code LNS 20 183



Material Aluminium
 Color Gold / **Code RFL G 185**
 Color Black Matt / **Code RFL B 185**



Power 7.5W
 Input 36V / 180mA
 Color Temperature 2700K | 3000K
 Lumen 466-517Lm
 Cri 90
 Dimensions Ø: 5cm H: 10cm
 Beam Angle 38°
 Cutting Hole Ø: 4.6cm
 Depth Required Υ : 10.5cm
 Material Aluminium
 Suggested On-Off Driver D-OT FIT8 for 1 Fixture (pass from the hole)
 Suggested DALI Driver 4062172151252 for 1 Fixture (remote application)
 Special Feature Adjustable
 Color 3000K White Matt / **Code S187**
 Color 2700K White Matt / **Code S188**



CODE	mA	Watt	V
D-OT FIT8	80-180	8	30-42



CODE	mA	Watt	V
4062172151252	150-700	10	2.5-45



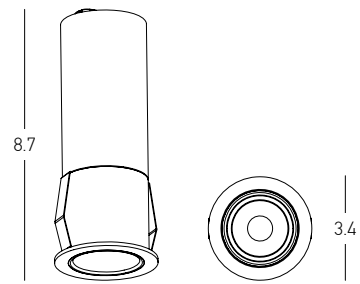
MINI DOWNLIGHT LED SPOTS

MINIMAL LUXURY IN YOUR HANDS



Modularization Recessed - Trimless LED Spots...

Select your application and colors to create the ultimate style by combining the different models available...



Power 5W
 Input 3V / 1150mA
 Color Temperature 3000K
 Lumen 380Lm
 Cri 90
 Dimensions Ø: 3.4cm H: 8.7cm
 Cutting Hole Ø: 3cm
 Beam Angle 24°
 Material Aluminium
 Depth Required JTL : 9.5cm
 Suggested On-Off Driver D-EG-5 for 1 Fixture (pass from the hole)
 Suggested DALI Driver LCM-40 for 1-8 Fixture (remote application)
 Color White Matt / Code S204
 Color Black Matt / Code S205



CODE	mA	Watt	V
LCM-40	1050	40	2-40

CODE	mA	Watt	V
D-EG-5	1150	5	2.5 - 3.2



Gold Matt Ring for S204 - S205
Code RFLG204



Nickel Black Ring for S204 - S205
Code RFLNB204



Trimless Accessory for S204 - S205
Code TRMLS204



White Ring for Trimless Application for S204 - S205
Code S206



Nickel Black Ring for Trimless Application for S204 - S205
Code S207



Gold Matt Ring for Trimless Application for S204 - S205
Code S208



Gold Matt Ring for S209 - S210
Code RFLG209



Nickel Black Ring for S209 - S210
Code RFLNB209



Trimless Accessory for S209 - S210
Code TRMLS209



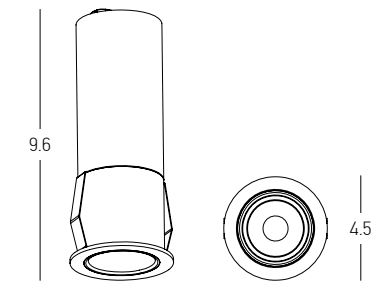
White Ring for Trimless Application for S209 - S210
Code S211



Nickel Black Ring for Trimless Application for S209 - S210
Code S212



Gold Matt Ring for Trimless Application for S209 - S210
Code S213



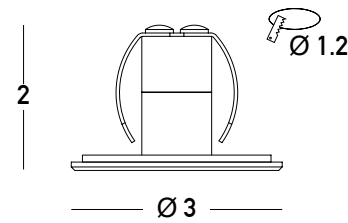
Power 9W
 Input 36V / 200mA
 Color Temperature 3000K
 Lumen 630Lm
 Cri 90
 Dimensions Ø: 4.5cm H: 9.6cm
 Cutting Hole Ø: 4cm
 Beam Angle 24°
 Material Aluminium
 Depth Required JTL : 10.5cm
 Suggested On-Off Driver D-KE-9 for 1 Fixture (remote application)
 Suggested DALI Driver D-EG-9 for 1 Fixture (remote application)
 Color White Matt / Code S209
 Color Black Matt / Code S210



CODE	mA	Watt	V
D-KE-9	200	9	30-42

CODE	mA	Watt	V
D-EG-9	200	9	5-42

IP44

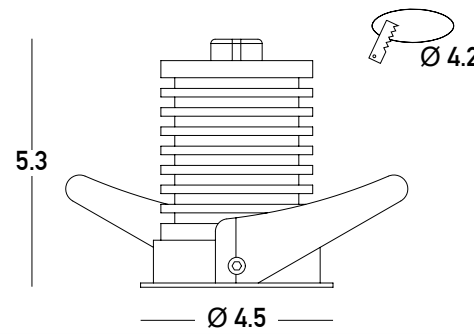


Power 1x 2W
 Input 3V / 700mA
 IP 44
 Color Temperature 3000K
 Lumen 120Lm
 Cri 90
 Dimensions Ø: 3cm H: 2cm
 Beam Angle 40°
 Cutting Hole Ø: 1.2cm
 Material Aluminium
 Suggested On-Off Driver LS-3-700 for 1 Fixture (remote application)
 Color Sandy White / **Code S169**
 Sandy Black / **Code S170**



CODE	mA	Watt	V
LS-3-700	700	3	max 10

IP44



Power 1x 6W COB LED
 Input 36V / 150mA
 IP 44
 Color Temperature 3000K
 Lumen 420Lm
 Cri 90
 Dimensions Ø: 4.5cm H: 5.3cm
 Beam Angle 38°
 Cutting Hole Ø: 4.2cm
 Material Aluminium
 Suggested On-Off Driver LS-6-150 for 1 Fixture (pass from the hole)
 Suggested DALI Driver 4062172151252 for 1 Fixture (remote application)

Color Sandy White / **Code S171**

Reflector for S171

Dimensions Ø: 2.3cm
 Beam Angle 18°
Code S172



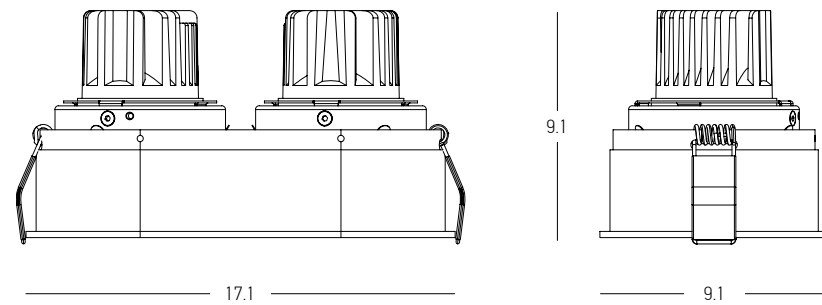
CODE	mA	Watt	V
LS-6-150	150	6	27-40



OSRAM

CODE	mA	Watt	V
4062172151252	150-700	10	2.5-45





Power 2x 10W
 Input 36V / 250mA
 IP 44
 Color Temperature 3000K
 Lumen 1440Lm
 Cri 90
 Dimensions L: 17.1cm W: 9.1cm H: 9.1cm
 Cutting Hole 8.5 x 16.5cm
 Beam Angle 38°
 Material Aluminium
 Depth Required ITL: 10cm
 Suggested On-Off Driver D-iT FIT20 / Parallel Connection
 Suggested DALI Driver D-DALI20 / Parallel Connection
 Special Feature Movable
 Stick Ø: 4.5cm

Color Sandy White / **Code S175**
 Color Sandy Black / **Code S176**

IP44

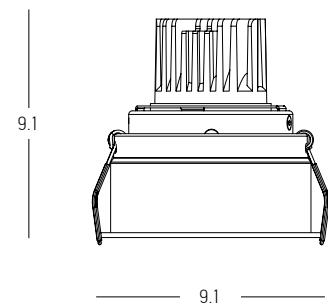


CODE	mA	Watt	V
D-iT FIT20	150-500	20	23-42



CODE	mA	Watt	V
D-DALI20	200-500	20	20-50

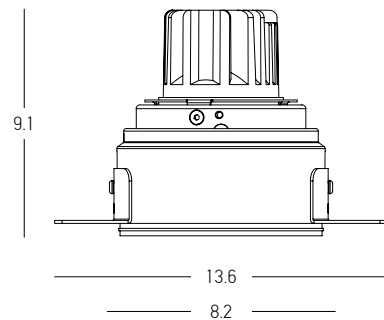




Power 10W
 Input 36V / 250mA
 IP 44
 Color Temperature 3000K
 Lumen 720Lm
 Cri 90
 Dimensions Ø: 9.1cm H: 9.1cm
 Cutting Hole Ø: 8.5cm
 Beam Angle 38°
 Material Aluminium
 Depth Required $\text{J}\overline{\text{T}}$: 10cm
 Suggested On-Off Driver D-OT FIT15 (pass from the hole)
 Suggested DALI Driver 4062172151252 (pass from the hole)
 Special Feature Movable
 Stick Ø: 4.5cm



Color Sandy White / **Code S173**
 Color Sandy Black / **Code S174**



Power 10W
 Input 36V / 250mA
 IP 44
 Color Temperature 3000K
 Lumen 720Lm
 Cri 90
 Dimensions Ø: 8.2cm H: 9.1cm
 Cutting Hole Ø: 8.3cm
 Beam Angle 38°
 Material Aluminium
 Depth Required $\text{J}\overline{\text{T}}$: 10cm
 Suggested On-Off Driver D-OT FIT15 (pass from the hole)
 Suggested DALI Driver 4062172151252 (pass from the hole)
 Special Feature Movable
 Stick Ø: 4.5cm



Color Sandy White / **Code S177**
 Color Sandy Black / **Code S178**



CODE	mA	Watt	V
D-OT FIT15	225-350	15	30-42



CODE	mA	Watt	V
4062172151252	150-700	10	2.5-45

ARCHITECTURAL LIGHTING | DOWNLIGHT RECESSED & TRIMLESS LED SPOTS



Power 6W
 Input 220-240V, 50/60Hz
 Color Temperature 3000K
 Lumen 377Lm
 Cri 90
 Dimensions Ø: 5.5cm H: 9.1cm
 Cutting Hole Ø: 5.2cm
 Beam Angle 24°
 Material Aluminium
 Depth Required JTL : 9.5cm
 Driver On-Off Included (160mA)
 Suggested DALI Driver 4062172151252
 Color White Matt / **Code S073**

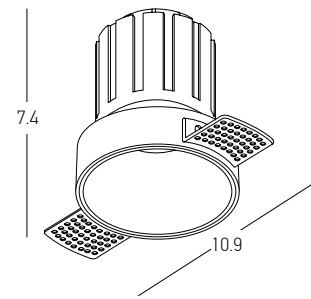
Power 10W
 Input 220-240V, 50/60Hz
 Color Temperature 3000K
 Lumen 731Lm
 Cri 90
 Dimensions Ø: 7.5cm H: 9.8cm
 Cutting Hole Ø: 7.2cm
 Beam Angle 31°
 Material Aluminium
 Depth Required JTL : 10.5cm
 Driver On-Off Included (250mA)
 Suggested DALI Driver 4062172151252
 Color White Matt / **Code S075**

Power 6W
 Input 220-240V, 50/60Hz
 Color Temperature 3000K
 Lumen 377Lm
 Cri 90
 Dimensions Ø: 5.5cm H: 9.1cm
 Cutting Hole Ø: 5.2cm
 Beam Angle 24°
 Material Aluminium
 Depth Required JTL : 9.5cm
 Driver On-Off Included (160mA)
 Suggested DALI Driver 4062172151252
 Color Black Matt / **Code S074**

Power 10W
 Input 220-240V, 50/60Hz
 Color Temperature 3000K
 Lumen 731Lm
 Cri 90
 Dimensions Ø: 7.5cm H: 9.8cm
 Cutting Hole Ø: 7.2cm
 Beam Angle 31°
 Material Aluminium
 Depth Required JTL : 10.5cm
 Driver On-Off Included (250mA)
 Suggested DALI Driver 4062172151252
 Color Black Matt / **Code S076**

CODE	mA	Watt	V
4062172151252	150-700	10	2.5-45

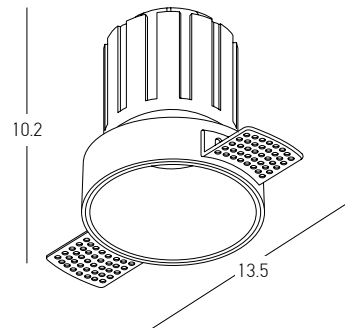




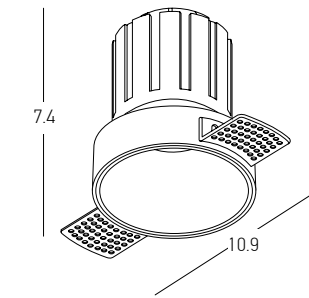
Power 6W
 Input 220-240V, 50/60Hz
 Color Temperature 3000K
 Lumen 450Lm
 Cri 90
 Dimensions Ø: 6.2cm W: 10.9cm H: 7.4cm
 Cutting Hole Ø: 6.2cm
 Beam Angle 22°
 Material Aluminium
 Depth Required JTL : 8cm
 Driver On-Off Included (135mA) (pass from the hole)
 Suggested DALI Driver 4062172151252 (pass from the hole)
 Color Sandy White / **Code S095**



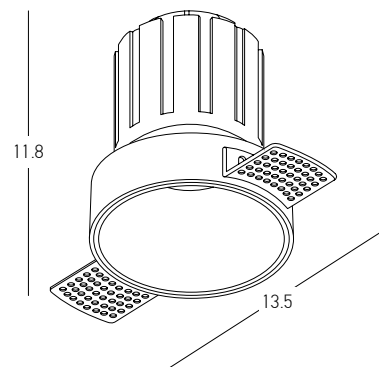
Power 6W
 Input 220-240V, 50/60Hz
 Color Temperature 3000K
 Lumen 450Lm
 Cri 90
 Dimensions Ø: 6.2cm W: 10.9cm H: 7.4cm
 Cutting Hole Ø: 6.2cm
 Beam Angle 22°
 Material Aluminium
 Depth Required JTL : 8cm
 Driver On-Off Included (135mA) (pass from the hole)
 Suggested DALI Driver 4062172151252 (pass from the hole)
 Color Sandy Black / **Code S095-B**
 Copper Matt / **Code S095-C**
 Gold Matt / **Code S095-G**



Power 9W
 Input 220-240V, 50/60Hz
 Color Temperature 3000K
 Lumen 675Lm
 Cri 90
 Dimensions Ø: 8.2cm W: 13.5cm H: 10.2cm
 Cutting Hole Ø: 8.2cm
 Beam Angle 36°
 Material Aluminium
 Depth Required JTL : 10.5cm
 Driver On-Off Included (200mA) (pass from the hole)
 Suggested DALI Driver 4062172151252 (pass from the hole)
 Color Sandy White / **Code S096**



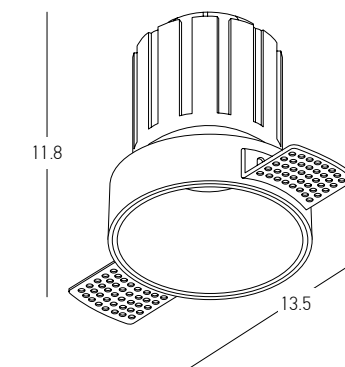
Power 9W
 Input 220-240V, 50/60Hz
 Color Temperature 3000K
 Lumen 675Lm
 Cri 90
 Dimensions Ø: 8.2cm W: 13.5cm H: 10.2cm
 Cutting Hole Ø: 8.2cm
 Beam Angle 36°
 Material Aluminium
 Depth Required JTL : 10.5cm
 Driver On-Off Included (200mA) (pass from the hole)
 Suggested DALI Driver 4062172151252 (pass from the hole)
 Color Sandy Black / **Code S096-B**
 Copper Matt / **Code S096-C**
 Gold Matt / **Code S096-G**



Power 15W
 Input 220-240V, 50/60Hz
 Color Temperature 3000K
 Lumen 1125Lm
 Cri 90
 Dimensions Ø: 8.2cm W: 13.5cm H: 11.8cm
 Cutting Hole Ø: 8.2cm
 Beam Angle 36°
 Material Aluminium
 Depth Required JTL : 12cm
 Driver On-Off Included (350mA) (pass from the hole)
 Suggested DALI Driver 4052899548190 (pass from the hole)
 Color Sandy White / **Code S097**



Power 15W
 Input 220-240V, 50/60Hz
 Color Temperature 3000K
 Lumen 1125Lm
 Cri 90
 Dimensions Ø: 8.2cm W: 13.5cm H: 11.8cm
 Cutting Hole Ø: 8.2cm
 Beam Angle 36°
 Material Aluminium
 Depth Required JTL : 12cm
 Driver On-Off Included (350mA) (pass from the hole)
 Suggested DALI Driver 4052899548190 (pass from the hole)
 Color Sandy Black / **Code S097-B**
 Copper Matt / **Code S097-C**
 Gold Matt / **Code S097-G**



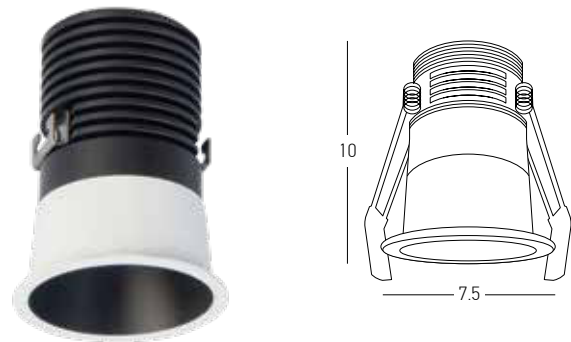
OSRAM

CODE	mA	Watt	V
4052899548190	150-1050	15	7.5-54



OSRAM

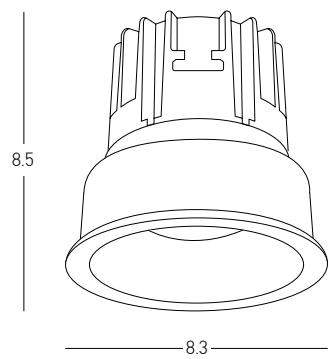
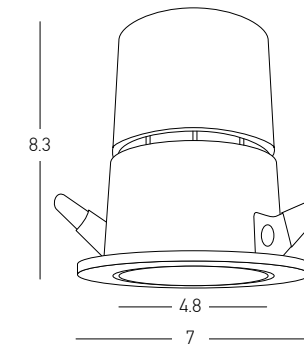
CODE	mA	Watt	V
4062172151252	150-700	10	2.5-45



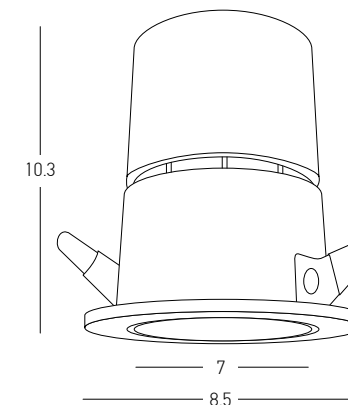
Power 15W
 Input 220-240V, 50/60Hz
 Color Temperature 3000K
 Lumen 1050Lm
 Cri 90
 Dimensions Ø: 7.5cm H: 10cm
 Cutting Hole Ø: 6.8cm
 Beam Angle 38°
 Material Aluminium
 Depth Required JT: 11cm
 Driver On-Off Included (350mA)
 Suggested DALI Driver 4052899548190 for 1 Fixture (pass from the hole)
 Color White Matt - Black Matt / **Code S094**



Power 10W
 Input 220-240V, 50/60Hz
 Color Temperature 3000K
 Lumen 750Lm
 Cri 90
 Dimensions Ø: 7cm H: 8.3cm
 Cutting Hole Ø: 6cm
 Beam Angle 38°
 Non Dimmable
 Material Aluminium
 Depth Required JT: 9cm
 Driver Included (250mA)
 Color White Matt - Black Matt Reflector / **Code S070**



Power 13W
 Input 220-240V, 50/60Hz
 Color Temperature 3000K
 Lumen 910Lm
 Cri 90
 Dimensions Ø: 8.3cm H: 8.5cm
 Cutting Hole Ø: 7.6cm
 Beam Angle 32°
 Material Aluminium
 Depth Required JT: 9cm
 Driver On-Off Included (300mA)
 Suggested DALI Driver 4052899548190 for 1 Fixture (pass from the hole)
 Color Black Matt / **Code S078**
 White Matt / **Code S077**



Power 15W
 Input 220-240V, 50/60Hz
 Color Temperature 3000K
 Lumen 1125Lm
 Cri 90
 Dimensions Ø: 8.5cm H: 10.3cm
 Cutting Hole Ø: 7.8cm
 Beam Angle 30°
 Non Dimmable
 Material Aluminium
 Depth Required JT: 11cm
 Driver Included (350mA)
 Color White Matt - Black Matt Reflector / **Code S071**

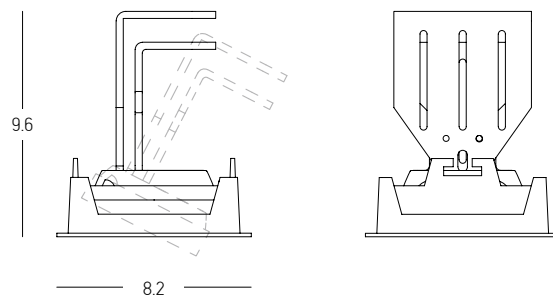


CODE	mA	Watt	V
4052899548190	150-1050	15	7.5-54

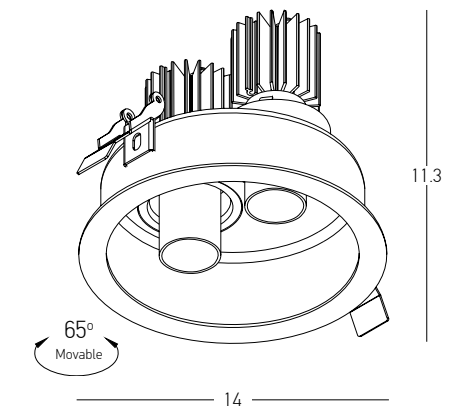




Power 9W
 Input 220-240V, 50/60Hz
 Color Temperature 3000K
 Lumen 645Lm
 Cri 90
 Dimensions L: 8.2cm W: 8.2cm H: 9.6cm
 Beam Angle 36°
 Cutting Hole L: 7.5cm W: 7.5cm
 Material Aluminium
 Special Feature Adjustable
 Included LED Driver
 Color Sandy Black / **Code S146**



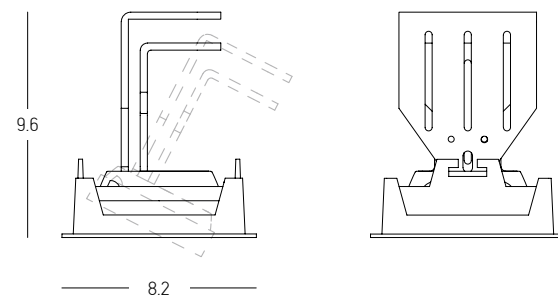
Power 9W
 Input 220-240V, 50/60Hz
 Color Temperature 2700K
 Lumen 596Lm
 Cri 90
 Dimensions L: 8.2cm W: 8.2cm H: 9.6cm
 Beam Angle 36°
 Cutting Hole L: 7.5cm W: 7.5cm
 Material Aluminium
 Special Feature Adjustable
 Included LED Driver
 Color Sandy Black / **Code S145**



Power 2x 9W
 Input 220-240V, 50/60Hz
 Color Temperature 3000K
 Lumen 1620Lm
 Cri 80
 Dimensions Ø: 14cm H: 11.3cm
 Beam Angle 18°
 Cutting Hole Ø: 12.8cm
 Material Aluminium
 Special Feature Movable
 Included LED Driver
 Color Sandy Black / **Code 1926**
 Color Sandy White / **Code 1927**



Power 9W
 Input 220-240V, 50/60Hz
 Color Temperature 3000K
 Lumen 645Lm
 Cri 90
 Dimensions Ø: 8.2cm H: 9.6cm
 Beam Angle 36°
 Cutting Hole Ø: 7.5cm
 Material Aluminium
 Special Feature Adjustable
 Included LED Driver
 Color Sandy White / **Code S144**



Power 9W
 Input 220-240V, 50/60Hz
 Color Temperature 2700K
 Lumen 596Lm
 Cri 90
 Dimensions Ø: 8.2cm H: 9.6cm
 Beam Angle 36°
 Cutting Hole Ø: 7.5cm
 Material Aluminium
 Special Feature Adjustable
 Included LED Driver
 Color Sandy White / **Code S143**

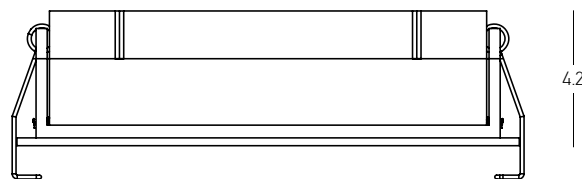
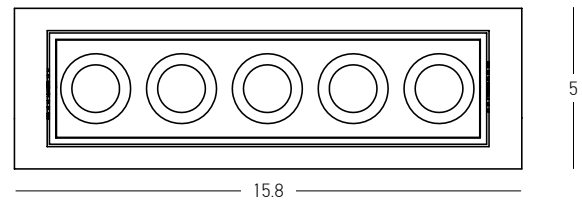
Power 1x 7W COB LED
 Input 20V / 350mA
 Color Temperature 2700K
 Lumen 630Lm
 Cri 80
 Dimensions Ø: 5cm H: 8.7cm
 Cutting Hole Ø: 4.5cm
 Beam Angle 24°
 Material Aluminium
 Suggested Driver LSCW350P for 1 Fixture
 Color Sandy White / **Code 180013**

Power 1x 5W COB LED
 Input 8.5V / 500mA
 Color Temperature 3000K
 Lumen 580Lm
 Cri 80
 Dimensions Ø: 3.5cm H: 6.1cm
 Cutting Hole Ø: 3.5cm
 Beam Angle 36°
 Material Aluminium
 Suggested Driver LSCW500P for 1 Fixture
 Color Sandy White / **Code Z10103 BTR-W**

Power 1x 5W COB LED
 Input 8.5V / 500mA
 Color Temperature 3000K
 Lumen 580Lm
 Cri 80
 Dimensions Ø: 3.5cm H: 6.1cm
 Cutting Hole Ø: 3.5cm
 Beam Angle 36°
 Material Aluminium
 Suggested Driver LSCW500P for 1 Fixture
 Color Sandy White - Black / **Code Z10103 BTR-B**



ARCHITECTURAL LIGHTING | DOWNLIGHT RECESSED & TRIMLESS LED SPOTS



Power 12W
 Input 15V / 700mA
 Color Temperature 3000K
 Lumen 800Lm
 Cri 90
 Dimensions L: 15.8cm W: 5cm H: 4.2cm
 Cutting Hole L: 15cm W: 4.5cm
 Beam Angle 36°
 Material Aluminium
 Depth Required JT: 5cm
 Suggested On-Off Driver KEDH012 for 1 Fixture (pass from the hole)
 Suggested DALI Driver 4052899548190 for 1 Fixture (pass from the hole)
 Special Feature Adjustable
 Color Sandy White / **Code S195**
 Color Sandy Black / **Code S196**

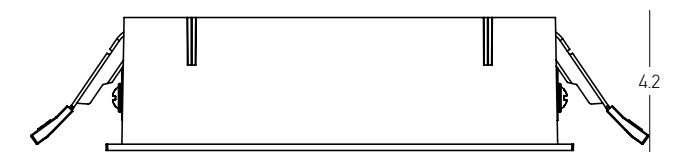
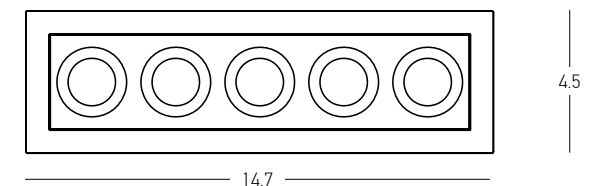


CODE	mA	Watt	V
KEDH012	700	12	9-18



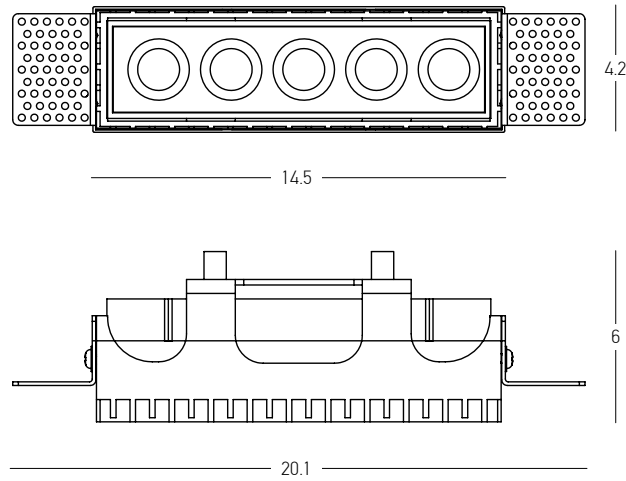
CODE	mA	Watt	V
4052899548190	150-1050	15	7.5-54

OSRAM



Power 12W
 Input 15V / 700mA
 Color Temperature 3000K
 Lumen 800Lm
 Cri 90
 Dimensions L: 14.7cm W: 4.5cm H: 4.2cm
 Cutting Hole L: 14.2cm W: 3.7cm
 Beam Angle 36°
 Material Aluminium
 Depth Required JT: 5cm
 Suggested On-Off Driver KEDH012 for 1 Fixture (pass from the hole)
 Suggested DALI Driver 4052899548190 for 1 Fixture (pass from the hole)
 Color Sandy White / **Code S191**
 Color Sandy Black / **Code S192**





Power 12W
 Input 15V / 700mA
 Color Temperature 3000K
 Lumen 800Lm
 Cri 90
 Dimensions L: 14.5cm W: 4.2cm H: 6cm
 Cutting Hole L: 14.7cm W: 4.3cm
 Beam Angle 36°
 Material Aluminium
 Depth Required JTL : 6.5cm
 Suggested On-Off Driver KEDH012 for 1 Fixture (pass from the hole)
 Suggested DALI Driver 4052899548190 for 1 Fixture (pass from the hole)
 Color Sandy White / **Code S193**
 Color Sandy Black / **Code S194**

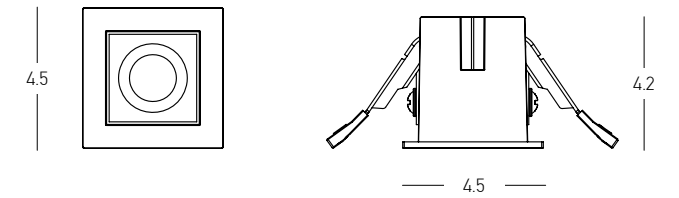


CODE	mA	Watt	V
KEDH012	700	12	9-18



CODE	mA	Watt	V
4052899548190	150-1050	15	7.5-54

OSRAM



Power 3W
 Input 3V / 700mA
 Color Temperature 3000K
 Lumen 180Lm
 Cri 90
 Dimensions L: 4.5cm W: 4.5cm H: 4.2cm
 Cutting Hole L: 4.2cm W: 3.7cm
 Beam Angle 36°
 Material Aluminium
 Depth Required JTL : 6cm
 Suggested On-Off Driver LS-3-700 for 1 Fixture (pass from the hole)
 Suggested DALI Driver 4062172151252 for 1 Fixture (pass from the hole)
 Color Sandy Black / **Code S190**
 Color Sandy White / **Code S189**

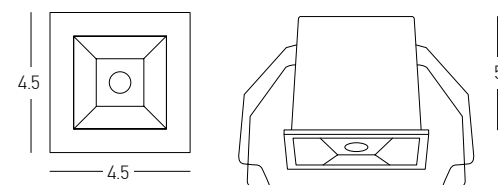


CODE	mA	Watt	V
LS-3-700	700	3	max 10

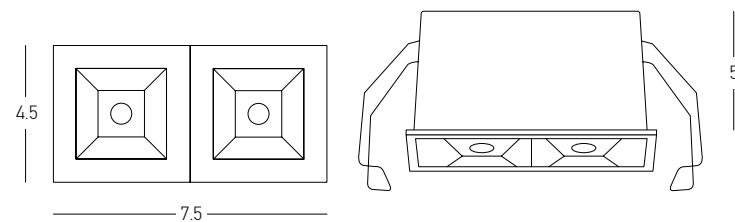


CODE	mA	Watt	V
4062172151252	150-700	10	2.5-45

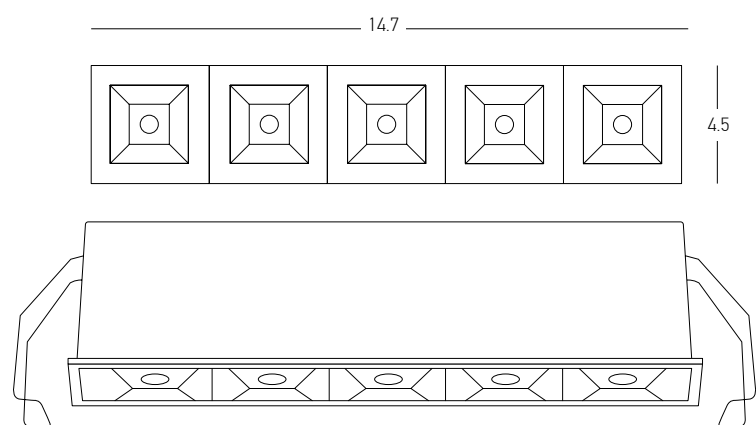
OSRAM



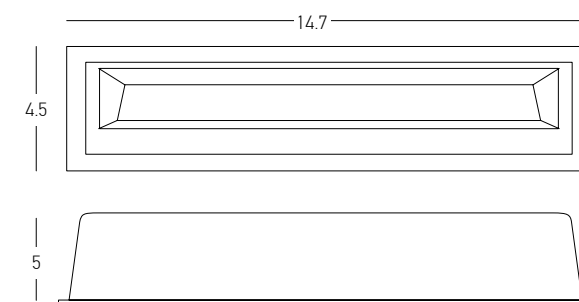
Power 3W
 Input 220-240V, 50/60Hz
 Color Temperature 3000K
 Lumen 150Lm
 Cri 90
 Dimensions L: 4.5cm W: 4.5cm H: 5cm
 Cutting Hole 3.5 x 3.5cm
 Beam Angle 30°
 Non Dimmable ☒
 Material Aluminium
 Depth Required JT: 5.5cm
 Driver Included (700mA)
 Color Sandy White - Black / **Code S084**



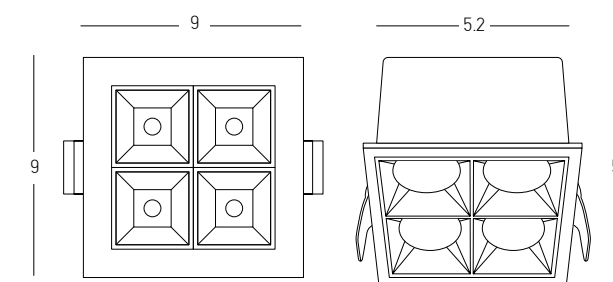
Power 5W
 Input 220-240V, 50/60Hz
 Color Temperature 3000K
 Lumen 350Lm
 Cri 90
 Dimensions L: 7.5cm W: 4.5cm H: 5cm
 Cutting Hole 6.5 x 3.5cm
 Beam Angle 30°
 Non Dimmable ☒
 Material Aluminium
 Depth Required JT: 5.5cm
 Driver Included (350mA)
 Color Sandy White - Black / **Code S085**



Power 11W
 Input 220-240V, 50/60Hz
 Color Temperature 3000K
 Lumen 770Lm
 Cri 90
 Dimensions L: 14.7cm W: 4.5cm H: 5cm
 Cutting Hole 13.5 x 3.5cm
 Beam Angle 30°
 Non Dimmable ☒
 Material Aluminium
 Depth Required JT: 5.5cm
 Driver Included (600mA)
 Color Sandy White - Black / **Code S086**



Wall Washer
 Power 12W
 Input 220-240V, 50/60Hz
 Color Temperature 3000K
 Lumen 388Lm
 Cri 90
 IP 54
 Dimensions L: 14.7cm W: 4.5cm H: 5cm
 Cutting Hole 14 x 3.5cm
 Beam Angle 20°
 Non Dimmable ☒
 Material Aluminium
 Depth Required JT: 5.5cm
 Driver Included (600mA)
 Color White Matt / **Code S087**



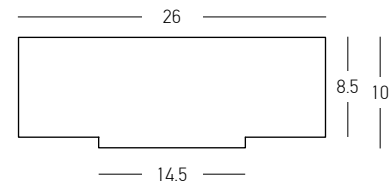
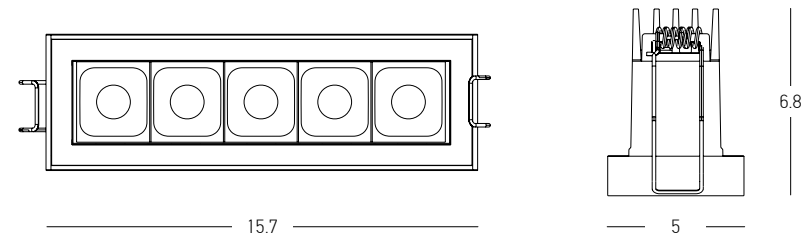
Power 12W
 Input 220-240V, 50/60Hz
 Color Temperature 3000K
 Lumen 950Lm
 Cri 90
 Dimensions L: 9cm W: 9cm H: 5.6cm
 Cutting Hole 8 x 8cm
 Beam Angle 24°
 Non Dimmable ☒
 Material Aluminium
 Depth Required JT: 6cm
 Driver Included (350mA)
 Color Sandy White / **Code S102**



WATERPROOF DOWNLIGHT SPOTS | p.202-209



Power 12W
 Input 220-240V, 50/60Hz
 Color Temperature 3000K
 Lumen 757Lm
 Cri 90
 IP 65
 Dimensions L: 15.7cm W: 5cm H: 6.8cm
 Cutting Hole 14.2 x 3.5cm
 Beam Angle 40°
 Non Dimmable ☒
 Material Stainless Steel - Aluminium - Tempered Glass
 Depth Required 111: 6cm
 Driver Included (700mA)
 Color Sandy Black / **Code E332**
 Sandy White / **Code E333**

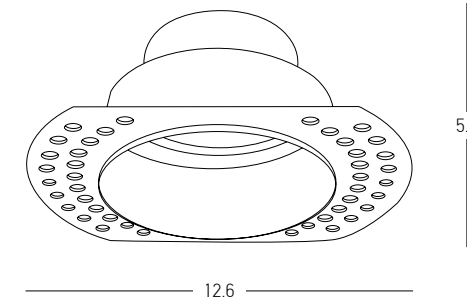


Recessed Box for Concrete Application (for E332-E333)

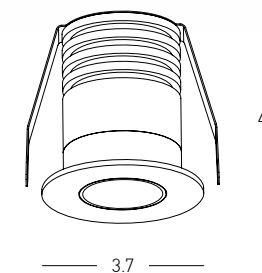
Dimensions L: 26cm W: 4.3cm H: 10cm
 Material Galvanized Steel
 Hole 14.5cm x 4cm
 Color Natural / **Code E333-4-BOX**



Bulb 1x GU10
 Power 50W MAX
 Input 220-240V, 50/60Hz
 IP 65
 Dimensions L: 12.6cm W: 9.4cm H: 5.5cm
 Cutting Hole Ø: 8cm
 Material Metal - Glass
 Depth Required 111: 10cm
 Special Feature GU10 Lampholder Included
 Color Sandy Black / **Code S162**



Power 2W
 Input 3V / 500mA
 Color Temperature 3000K
 Lumen 138Lm
 Cri 80
 IP 65
 Dimensions Ø: 3.7cm H: 4.1cm
 Beam Angle 24°
 Cutting Hole Ø: 3.2cm
 Material Aluminium
 Depth Required 111: 5cm
 Suggested On-Off Driver D-iT FIT7 for 1 Fixture (remote application)
 Suggested DALI Driver 4062172151252 for 1-5 Fixtures (remote application)



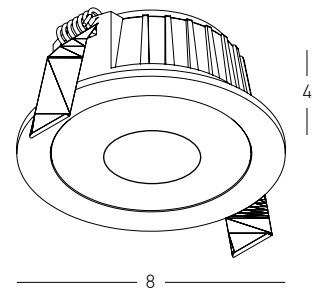
Color Sandy White / **Code 180016**



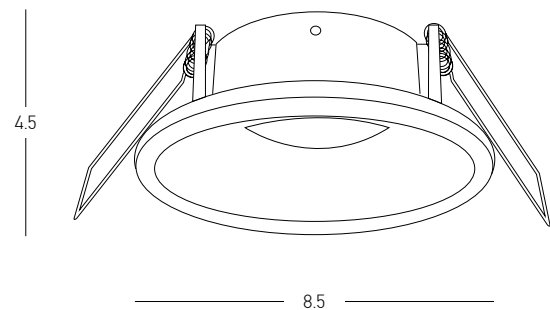
CODE	mA	Watt	V
D-iT FIT7	350-700	7	2.5-11



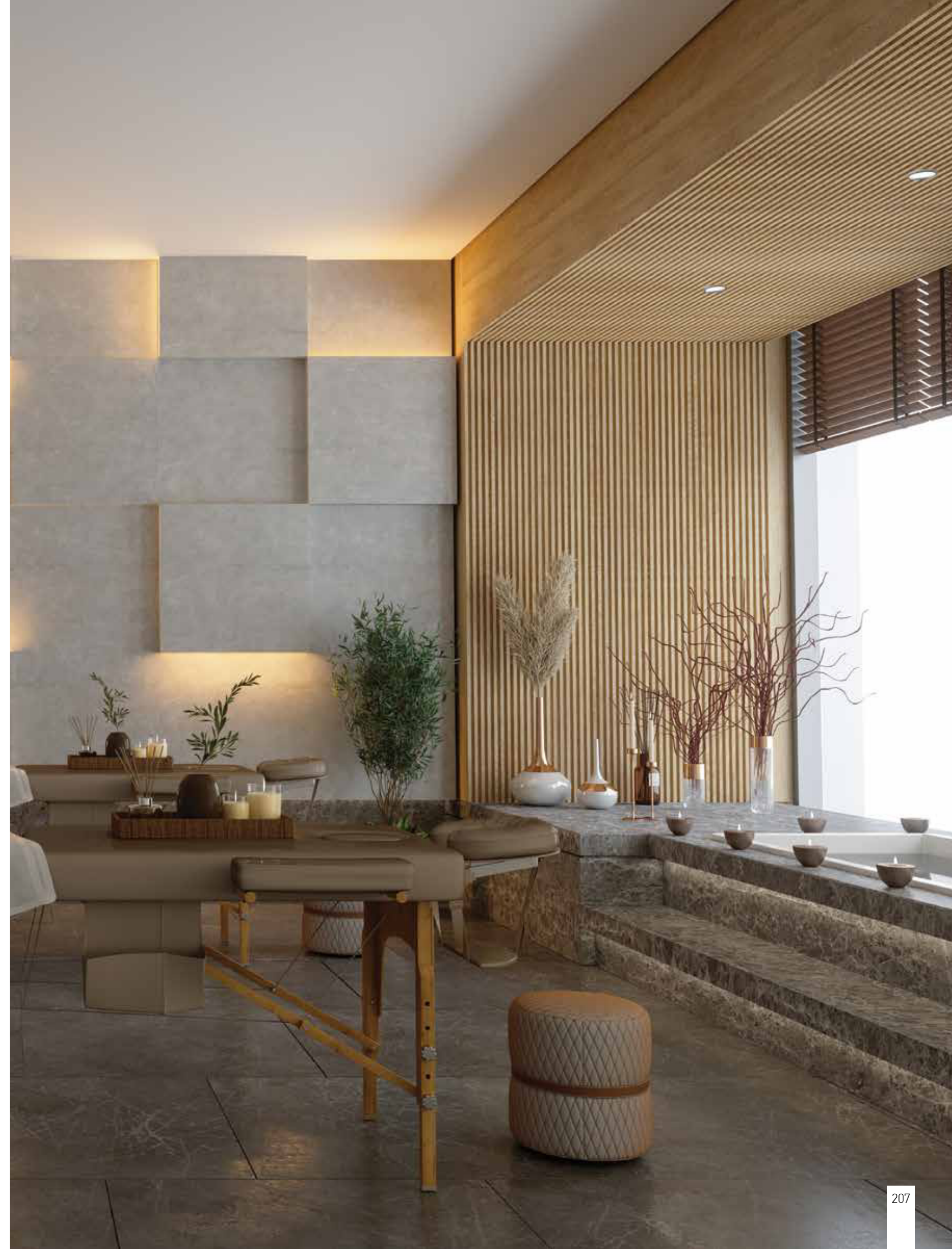
CODE	mA	Watt	V
4062172151252	150-700	10	2.5-45

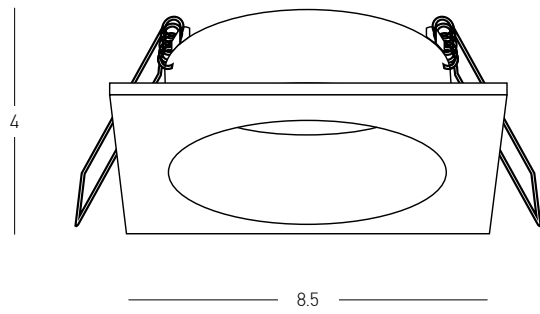


Power	6W
Input	220-240V, 50/60Hz
Color Temperature	3000K
Lumen	440Lm
Cri	90
IP	54
Dimensions	Ø: 8cm H: 4cm
Cutting Hole	Ø: 7.3cm
Beam Angle	20°
Non Dimmable	<input checked="" type="checkbox"/>
Material	Aluminium - Glass
Depth Required	∟: 4.5cm
Driver	Included
Color	Black Matt / Code S110
Color	White Matt / Code S111

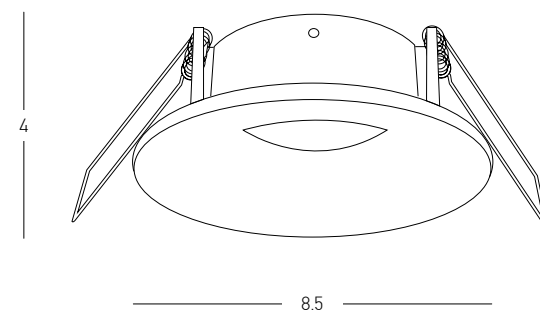


Bulb	1x GU10
Power	50W MAX
Input	220-240V, 50/60Hz
IP	65
Dimensions	Ø: 8.5cm H: 4.5cm
Cutting Hole	Ø: 7.5cm
Material	Aluminium
Depth Required	∟: 10.5cm
Special Feature	GU10 Lampholder Included
Color	Black Matt / Code S046
Color	White Matt / Code S045





Bulb 1x GU10
 Power 50W MAX
 Input 220-240V, 50/60Hz
 IP 65
 Dimensions L: 8.5cm W: 8.5cm H: 4cm
 Cutting Hole Ø: 6.8cm
 Material Aluminium
 Depth Required Υ : 8.3cm
 Special Feature GU10 Lampholder Included
 Color Sandy White / **Code S165**
 Color Sandy Black / **Code S166**



Bulb 1x GU10
 Power 50W MAX
 Input 220-240V, 50/60Hz
 IP 65
 Dimensions Ø: 8.5cm H: 4cm
 Cutting Hole Ø: 6.8cm
 Material Aluminium
 Depth Required Υ : 8.3cm
 Special Feature GU10 Lampholder Included
 Color Sandy White / **Code S167**
 Color Sandy Black / **Code S168**



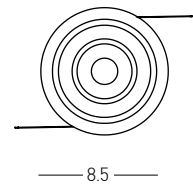
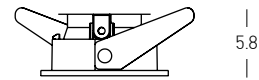
DOWNLIGHT RECESSED SPOTS GU10 | p.210-223



Modularization...

Select Adjustable or Non Adjustable Spots and create the ultimate style by combining the different models available.

Adjustable Models...



Bulb 1x GU10 LED
 Power 10W MAX
 Input 220-240V, 50/60Hz
 Dimensions Ø: 8.5cm H: 5.8cm
 Cutting Hole Ø: 7.4cm
 Material Aluminium - Plastic
 Depth Required ITL : 10.5cm
 Special Feature GU10 Lampholder Not Included
 Suggested Lamp COIN 50 (page 278) **OSRAM**
 Color Sandy White - Black Chrome / **Code S125**



**Reflector
 Black Matt
 Code RFL125-BL**



**Reflector
 Gold
 Code RFL125-G**



**Reflector
 White Matt
 Code RFL125-WH**



**Cover
 White Sandy
 Code S129**



**Honey Comb
 Code HNCMB**



**Reflector
 Black Matt
 Code RFL126-BL**



**Reflector
 Gold
 Code RFL126-G**



**Reflector
 White Matt
 Code RFL126-WH**

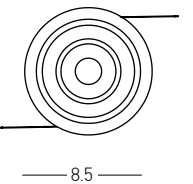
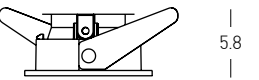


**Cover
 White Sandy
 Code S130**

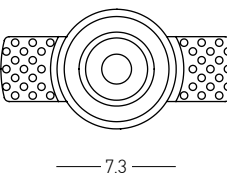
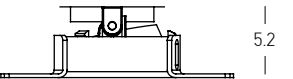


**Honey Comb
 Code HNCMB**

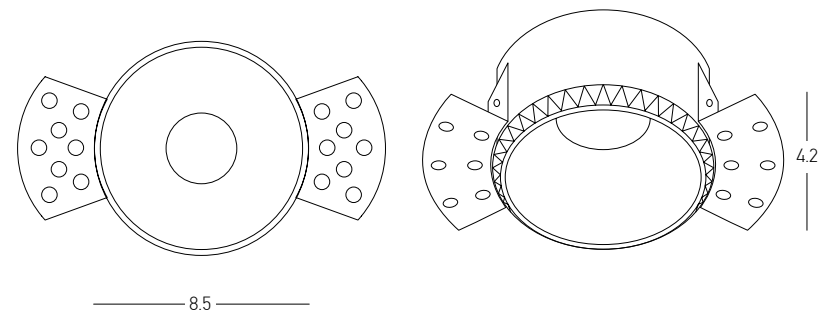
Non Adjustable Models...



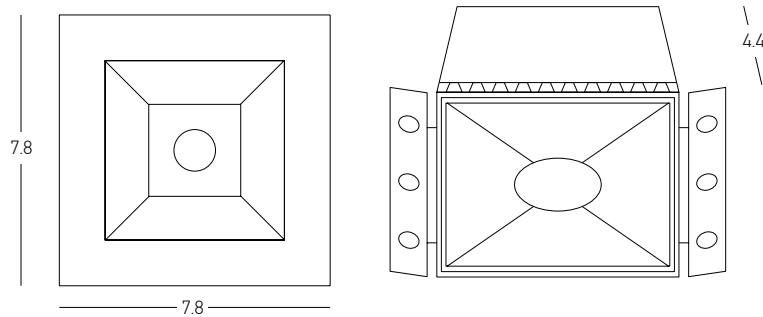
Bulb 1x GU10 LED
 Power 10W MAX
 Input 220-240V, 50/60Hz
 Dimensions Ø: 8.5cm H: 5.8cm
 Cutting Hole Ø: 7.4cm
 Material Aluminium - Plastic
 Depth Required ITL : 10.5cm
 Special Feature GU10 Lampholder Not Included
 Suggested Lamp COIN 50 (page 278) **OSRAM**
 Color Sandy White - Black Chrome / **Code S126**



Bulb 1x GU10 LED
 Power 10W MAX
 Input 220-240V, 50/60Hz
 Dimensions Ø: 7.3cm H: 5.2cm
 Cutting Hole Ø: 7.4cm
 Material Aluminium - Plastic
 Depth Required ITL : 10.5cm
 Special Feature GU10 Lampholder Not Included
 Suggested Lamp COIN 50 (page 278) **OSRAM**
 Color Sandy White - Black Chrome / **Code S128**



Bulb 1x GU10 LED
 Power 10W MAX
 Input 220-240V, 50/60Hz
 Dimensions Ø: 8.5cm H: 4.2cm
 Cutting Hole Ø: 8.5cm
 Material Aluminium - Plastic Reflector
 Depth Required \square : 10cm
 Special Feature GU10 Lampholder Not Included
 Suggested Lamp COIN 50 (page 278) **OSRAM**
 Color Sandy White - Black Reflector / **Code S089**
 Color Sandy White - White Reflector/ **Code S088**



Bulb 1x GU10 LED
 Power 10W MAX
 Input 220-240V, 50/60Hz
 Dimensions L: 7.8cm W: 7.8cm H: 4.4cm
 Cutting Hole 7.9 x 7.9cm
 Material Aluminium
 Depth Required \square : 10cm
 Special Feature GU10 Lampholder Not Included
 Suggested Lamp COIN 50 (page 278) **OSRAM**
 Color Sandy White - Black Reflector / **Code S091**
 Color Sandy White - White Reflector/ **Code S090**



Bulb 1x GU10
 Power 50W MAX
 Input 220-240V, 50/60Hz
 Dimensions Ø: 6.8cm H: 5.7cm
 Cutting Hole Ø: 6.2cm
 Material Aluminium
 Depth Required JT: 10cm
 Special Feature GU10 Lampholder Included
 Color Sandy White - Black / **Code Z10105-D9**

Bulb 1x GU10
 Power 50W MAX
 Input 220-240V, 50/60Hz
 Dimensions Ø: 6.9cm H: 4.9cm
 Cutting Hole Ø: 6.4cm
 Material Aluminium
 Depth Required JT: 13cm
 Special Feature GU10 Lampholder Included
 Color Sandy White - Black / **Code Z10105-AD**

Bulb 1x GU10
 Power 40W MAX
 Input 220-240V, 50/60Hz
 Dimensions Ø: 9.3cm H: 4.6cm
 Cutting Hole Ø: 8.3cm
 Material Aluminium
 Depth Required JT: 10cm
 Special Feature GU10 Lampholder Included
 Movable
 Color Sandy Black / **Code S149**

Bulb 1x GU10
 Power 40W MAX
 Input 220-240V, 50/60Hz
 Dimensions Ø: 9.3cm H: 4.6cm
 Cutting Hole Ø: 8.3cm
 Material Aluminium
 Depth Required JT: 10cm
 Special Feature GU10 Lampholder Included
 Movable
 Color Sandy White / **Code S148**



Bulb 1x GU10
 Power 50W MAX
 Input 220-240V, 50/60Hz
 Dimensions Ø: 12cm H: 11cm
 Cutting Hole Ø: 8.2cm
 Material Aluminium
 Depth Required JT: 11cm
 Special Feature GU10 Lampholder Included
 Movable
 Color Black / **Code Z11105 TR-B**

Bulb 1x GU10
 Power 50W MAX
 Input 220-240V, 50/60Hz
 Dimensions Ø: 12cm H: 11cm
 Cutting Hole Ø: 8.2cm
 Material Aluminium
 Depth Required JT: 11cm
 Special Feature GU10 Lampholder Included
 Movable
 Color White / **Code Z11105 TR-W**

Bulb 1x GU10
 Power 50W MAX
 Input 220-240V, 50/60Hz
 Dimensions Ø: 6cm H: 4cm
 Cutting Hole Ø: 6cm
 Material Aluminium
 Depth Required JT: 12cm
 Special Feature GU10 Lampholder Included
 Color Black / **Code Z10105 TR-B**

Bulb 1x GU10
 Power 50W MAX
 Input 220-240V, 50/60Hz
 Dimensions Ø: 6cm H: 4cm
 Cutting Hole Ø: 6cm
 Material Aluminium
 Depth Required JT: 12cm
 Special Feature GU10 Lampholder Included
 Color White / **Code Z10105 TR-W**



Bulb 1x GU10
 Power 40W MAX
 Input 220-240V, 50/60Hz
 Dimensions Ø: 7.4cm H: 5cm
 Cutting Hole Ø: 6.8cm
 Material Aluminium
 Depth Required JT: 11cm
 Special Feature GU10 Lampholder Included Adjustable 30°
 Color Sandy White / **Code S164**



Bulb 1x GU10
 Power 50W MAX
 Input 220-240V, 50/60Hz
 Dimensions Ø: 9cm H: 4cm
 Cutting Hole Ø: 8cm
 Material Aluminium
 Depth Required JT: 10cm
 Special Feature GU10 Lampholder Included Movable
 Color White - Black / **Code S060**



Bulb 1x GU10
 Power 50W MAX
 Input 220-240V, 50/60Hz
 Dimensions L: 8.4cm W: 8.4cm H: 4cm
 Cutting Hole Ø: 7.6cm
 Material Aluminium
 Depth Required JT: 10cm
 Special Feature GU10 Lampholder Included Movable
 Color White - Black / **Code S061**



Bulb 1x GU10
 Power 40W MAX
 Input 220-240V, 50/60Hz
 Dimensions Ø: 8.5cm H: 6.5cm
 Cutting Hole Ø: 7.7cm
 Material Aluminium
 Depth Required JT: 10cm
 Special Feature GU10 Lampholder Included Adjustable 360°
 Color Sandy White / **Code S150**



Bulb 1x GU10
 Power 40W MAX
 Input 220-240V, 50/60Hz
 Dimensions Ø: 7.4cm H: 3.1cm
 Cutting Hole Ø: 7cm
 Material Aluminium
 Depth Required JT: 8.5cm
 Special Feature GU10 Lampholder Included
 Color Sandy White / **Code S163**



Bulb 1x GU10
 Power 50W MAX
 Input 220-240V, 50/60Hz
 Dimensions Ø: 10cm H: 4cm
 Cutting Hole Ø: 9.2cm
 Material Aluminium
 Depth Required JT: 9.5cm
 Special Feature GU10 Lampholder Included Movable
 Color White / **Code S019**



Bulb 1x GU10
 Power 50W MAX
 Input 220-240V, 50/60Hz
 Dimensions Ø: 10cm H: 4cm
 Cutting Hole Ø: 9.2cm
 Material Aluminium
 Depth Required JT: 9.5cm
 Special Feature GU10 Lampholder Included Movable
 Color White - Black / **Code S020**



Bulb 1x GU10
 Power 50W MAX
 Input 220-240V, 50/60Hz
 Dimensions Ø: 8.6cm H: 4cm
 Cutting Hole Ø: 7.5cm
 Material Aluminium
 Depth Required JTL: 9cm
 Special Feature GU10 Lampholder Included
 Movable
 Color White / **Code S012**



Bulb 1x GU10
 Power 50W MAX
 Input 220-240V, 50/60Hz
 Dimensions Ø: 8.6cm H: 4cm
 Cutting Hole Ø: 7.5cm
 Material Aluminium
 Depth Required JTL: 9cm
 Special Feature GU10 Lampholder Included
 Movable
 Color Black / **Code S011**



Bulb 1x GU10
 Power 50W MAX
 Input 220-240V, 50/60Hz
 Dimensions Ø: 8.3cm H: 5.5cm
 Cutting Hole Ø: 7.5cm
 Material Aluminium
 Depth Required JTL: 10.5cm
 Special Feature GU10 Lampholder Included
 Color White / **Code S008**



Bulb 1x GU10
 Power 50W MAX
 Input 220-240V, 50/60Hz
 Dimensions Ø: 8.3cm H: 5.5cm
 Cutting Hole Ø: 7.5cm
 Material Aluminium
 Depth Required JTL: 10.5cm
 Special Feature GU10 Lampholder Included
 Color Black / **Code S007**



Bulb 1x GU10
 Power 50W MAX
 Input 220-240V, 50/60Hz
 Dimensions L: 8.8cm W: 8.8cm H: 7.8cm
 Cutting Hole L: 7.5cm W: 7.5cm
 Material Aluminium
 Depth Required JTL: 13.5cm
 Special Feature GU10 Lampholder Included
 Color White / **Code S010**



Bulb 1x GU10
 Power 50W MAX
 Input 220-240V, 50/60Hz
 Dimensions L: 8.8cm W: 8.8cm H: 7.8cm
 Cutting Hole L: 7.5cm W: 7.5cm
 Material Aluminium
 Depth Required JTL: 13.5cm
 Special Feature GU10 Lampholder Included
 Color Black / **Code S009**

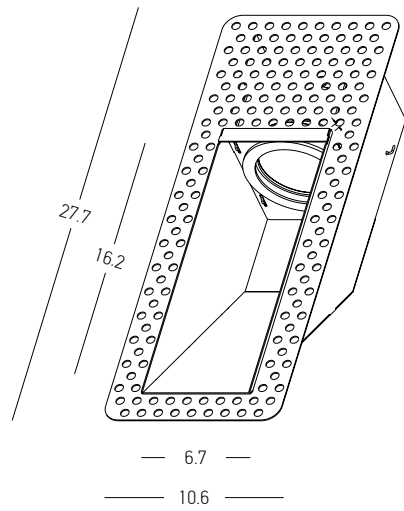


Bulb 1x GU10
 Power 50W MAX
 Input 220-240V, 50/60Hz
 Dimensions L: 8.5cm W: 8.5cm H: 2cm
 Cutting Hole Ø: 7.5cm
 Material Aluminium
 Depth Required JTL: 7.5cm
 Special Feature GU10 Lampholder Included
 Movable
 Color White / **Code S013**

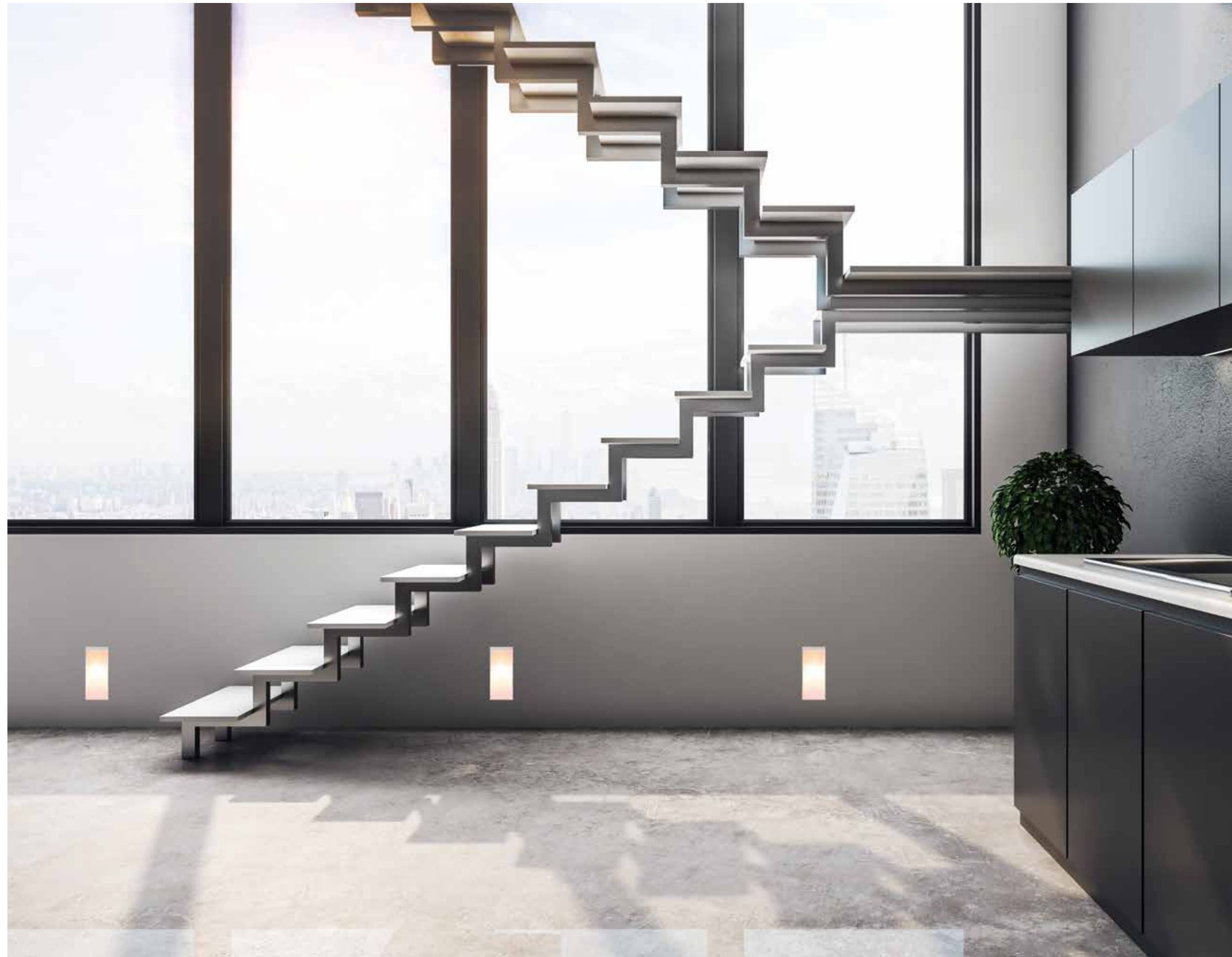


Bulb 1x GU10
 Power 50W MAX
 Input 220-240V, 50/60Hz
 Dimensions L: 8.5cm W: 8.5cm H: 2cm
 Cutting Hole Ø: 7.5cm
 Material Aluminium
 Depth Required JTL: 7.5cm
 Special Feature GU10 Lampholder Included
 Movable
 Color Black / **Code S014**



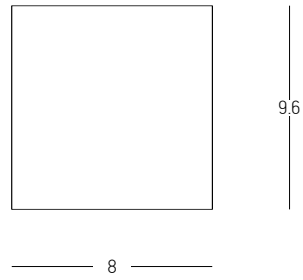
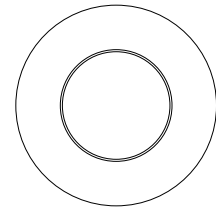


Bulb	1x GU10
Power	40W MAX
Input	220-240V, 50/60Hz
Dimensions	L: 7.2cm W: 6.7cm H: 16.2cm
Cutting Hole	W: 7cm H: 24.5cm
Material	Metal
Depth Required	7cm
Special Feature	GU10 Lampholder Included
Color	Sandy White / Code S147



CEILING SPOTS | p.224-247





Power 10W
 Input 36V / 250mA
 Color Temperature 3000K
 Lumen 720Lm
 Cri 90
 Dimensions Ø: 8cm H: 9.6cm
 Beam Angle 100°
 Material Aluminium- Acrylic
 Suggested On-Off Driver D-KE-10 (fits in the light)
 Suggested DALI Driver D-EG-10 (remote application)
 Color Sandy White / **Code S214**
 Sandy Black / **Code S215**

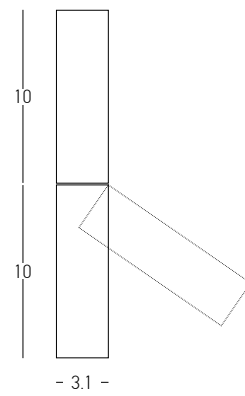


CODE	mA	Watt	V
D-KE-10	250	10	27-40

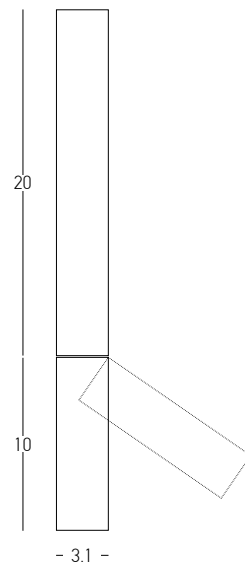
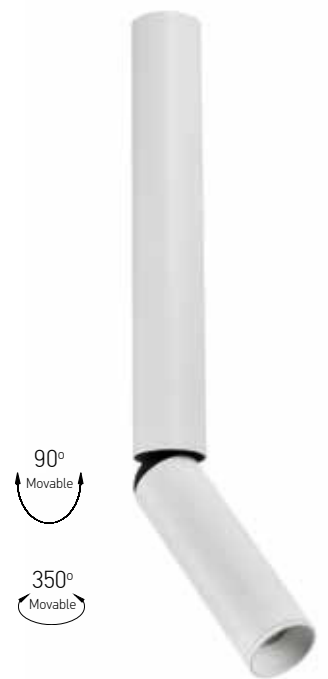


CODE	mA	Watt	V
D-EG-10	250	12	9-42





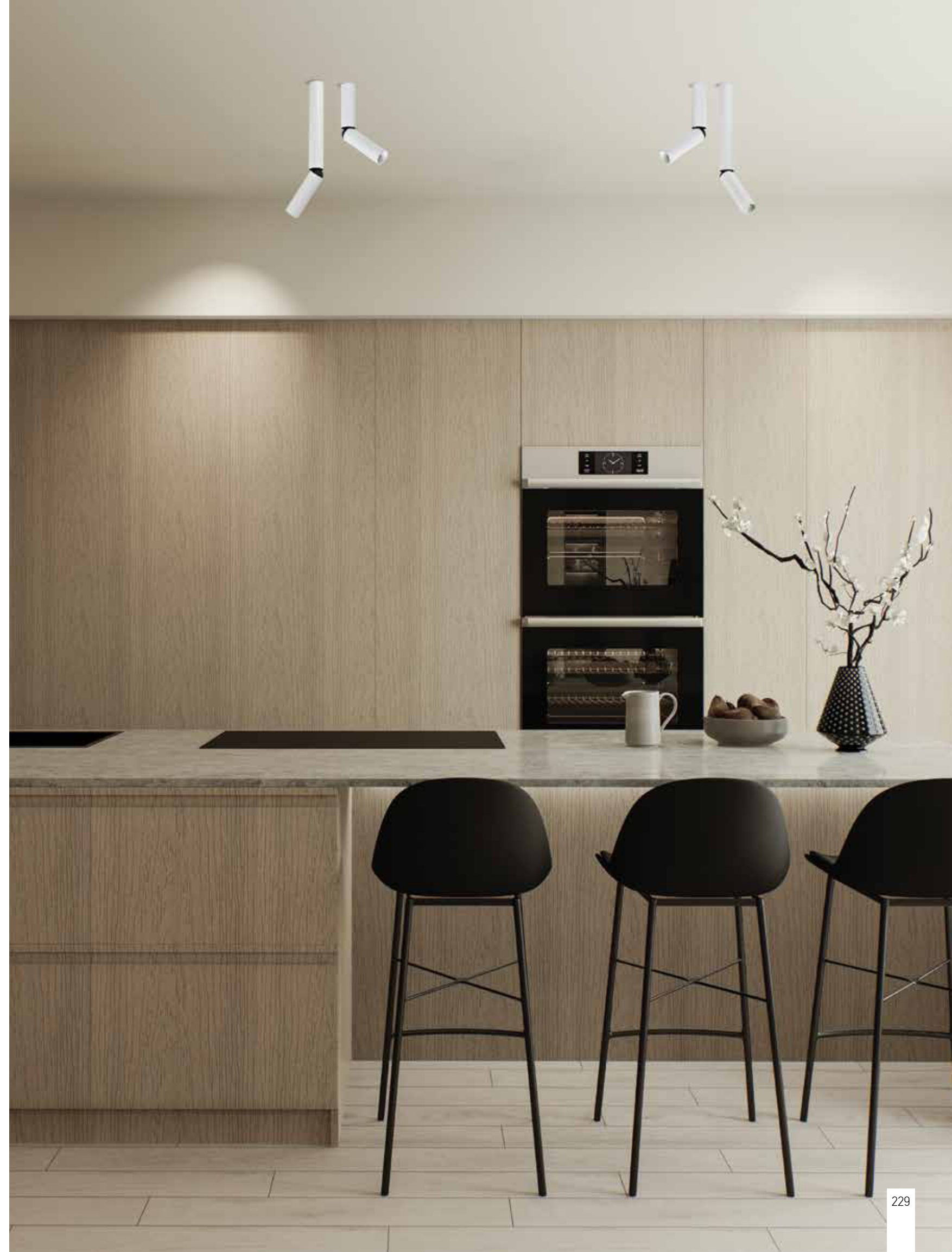
Power 5W
 Input 220-240V, 50/60Hz
 Color Temperature 3000K
 Lumen 380Lm
 Cri 90
 Dimensions Ø: 3.1cm H: 20cm
 Beam Angle 24°
 Material Aluminium- Acrylic
 Driver On-Off Included (200mA)
 Suggested DALI Driver D-EG-5 (remote application)
 Special Feature Rotation and Tilt Up-Down
 Color Sandy White / **Code S216**
 Color Sandy Black / **Code S217**

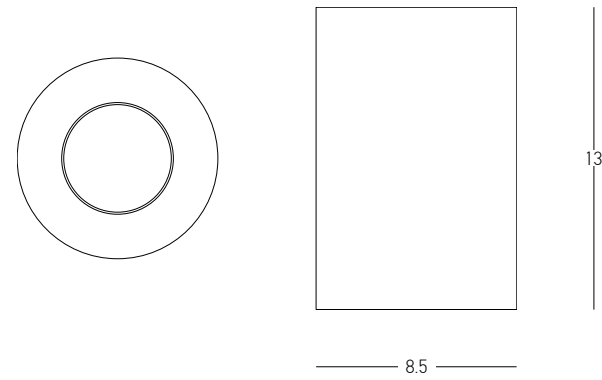


Power 5W
 Input 220-240V, 50/60Hz
 Color Temperature 3000K
 Lumen 380Lm
 Cri 90
 Dimensions Ø: 3.1cm H: 30cm
 Beam Angle 24°
 Material Aluminium- Acrylic
 Driver On-Off Included (200mA)
 Suggested DALI Driver D-EG-5 (remote application)
 Special Feature Rotation and Tilt Up-Down
 Color Sandy White / **Code S218**
 Color Sandy Black / **Code S219**

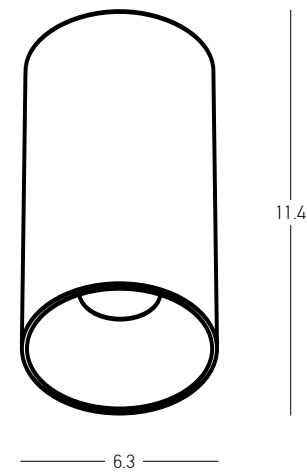


CODE	mA	Watt	V
D-EG-5	120	5	9-42



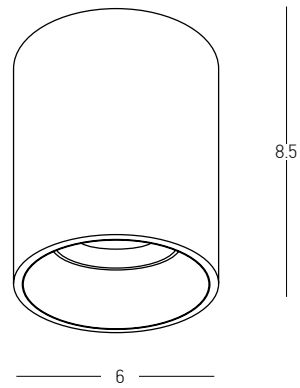


Power 10W
 Input 220-240V, 50/60Hz
 Color Temperature 3000K
 Lumen 720Lm
 Cri 90
 IP 44
 Dimensions Ø: 8.5cm H: 13cm
 Beam Angle 38°
 Non Dimmable
 Material Aluminium
 Special Feature Movable Spot
 Spot Ø: 4.5cm
 Color Sandy White / **Code S179**
 Color Sandy Black / **Code S180**



Bulb 1x GU10
 Power 40W MAX
 Dimensions Ø: 6.3cm H: 11.4cm
 Material Aluminium
 Special Feature GU10 Lampholder Included
 Color Black Matt / **Code S001**
 Color White Matt / **Code S002**

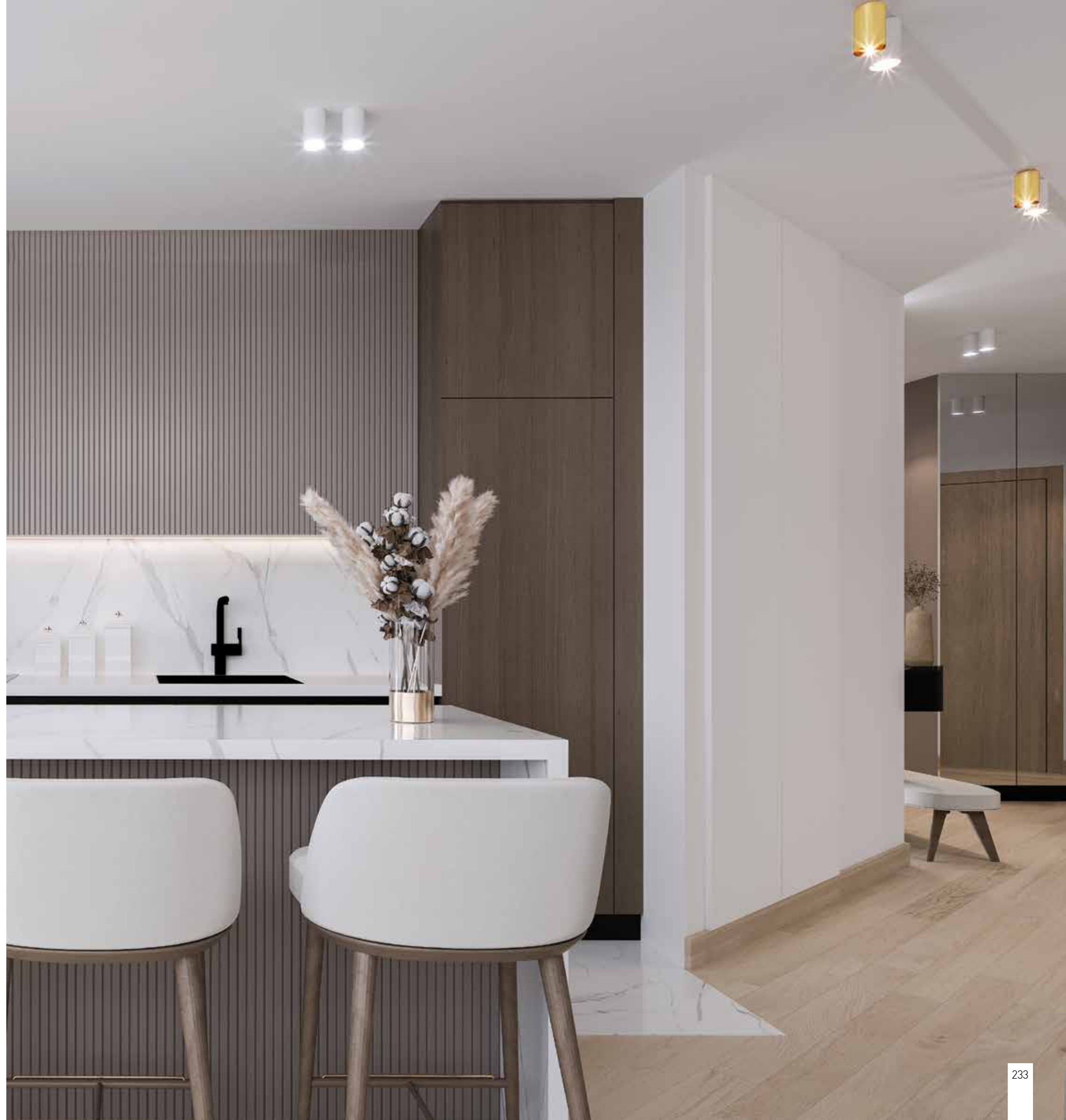


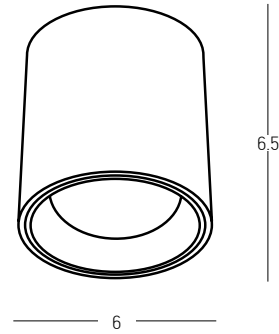


Bulb 1x GU10
 Power 40W MAX
 Input 220-240V, 50/60Hz
 Dimensions Ø: 6cm H: 8.5cm
 Material Aluminium
 Special Feature GU10 Lampholder Included
 Color Sandy White / **Code S153**
 Color Sandy Black / **Code S154**
 Color Brushed Gold - Black Ring / **Code S155**



Brushed Gold Ring for S153, S154, S155
 Material Aluminium
Code RFL G 154





Power 7W
 Input 220-240V, 50/60Hz
 Color Temperature 3000K
 Lumen 500Lm
 Cri 80
 Dimensions Ø: 6cm H: 6.5cm
 Beam Angle 35°
 Dimmable Triac
 Material Aluminium
 Color White Matt / **Code Z12107K-W**
 Color Black Matt / **Code Z12107K-B**
 *Ring Black / **Code Z050106-B**
 *Ring Brass / **Code Z050106-BR**
 *Reflector must be ordered separately

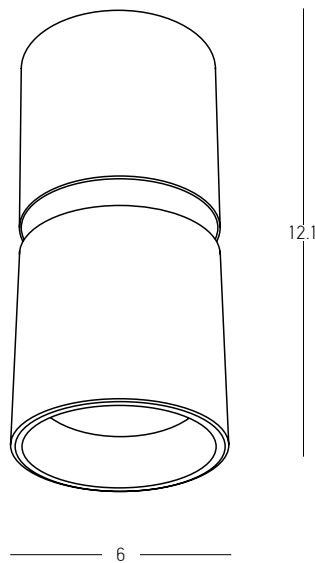


Color Brass / **Code Z050106-BR**
Material Plastic



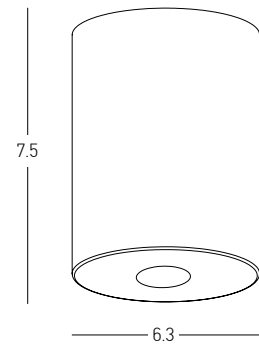
Color Black / **Code Z050106-B**
Material Plastic



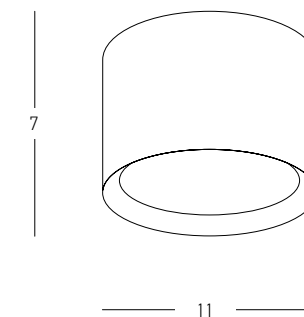


Bulb	1x GU10
Power	40W MAX
Input	220-240V, 50/60Hz
Dimensions	Ø: 6cm H: 12.1cm
Material	Aluminium
Special Feature	GU10 Lampholder Included
Color	Sandy White / Code S159
Color	Sandy Black / Code S160
Color	Sandy White - Gold Matt / Code S161

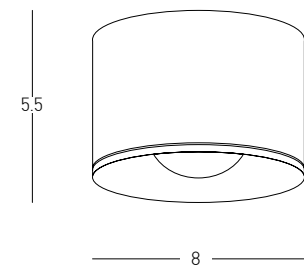




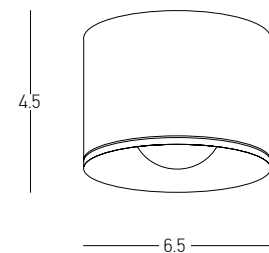
Power 7W
 Input 220-240V, 50/60Hz
 Color Temperature 3000K
 Lumen 560Lm
 Cri 90
 IP 54
 Dimensions Ø: 6.3cm H: 7.5cm
 Beam Angle 20°
 Non Dimmable
 Material Aluminium - Glass
 Special Feature Included LED Driver
 Color Sandy Black / **Code S112**
 Color Sandy White / **Code S113**



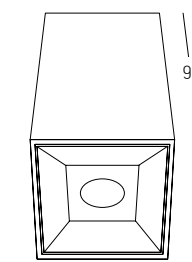
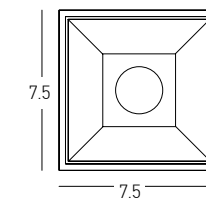
Power 8W
 Input 220-240V, 50/60Hz
 Color Temperature 3000K
 Lumen 454Lm
 Cri 80
 Dimensions Ø: 11 cm H: 7cm
 Material Aluminium - Acrylic
 Special Feature Included LED Driver
 Color Sandy White / **Code 22133**
 Color Sandy Black / **Code 22134**



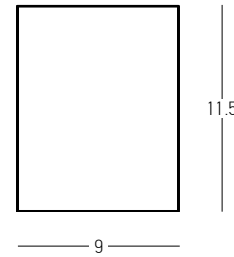
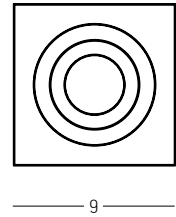
Power 12W
 Input 220-240V, 50/60Hz
 Color Temperature 3000K
 Lumen 561Lm
 Cri 80
 IP 54
 Dimensions Ø: 8cm H: 5.5cm
 Beam Angle 120°
 Material Aluminium
 Color Sandy Black / **Code S131**
 Sandy White / **Code S132**



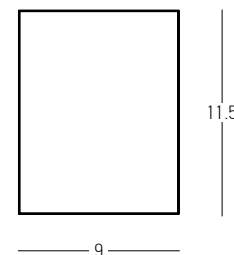
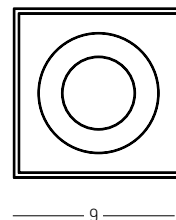
Power 8W
 Input 220-240V, 50/60Hz
 Color Temperature 3000K
 Lumen 454Lm
 Cri 80
 IP 54
 Dimensions Ø: 6.5cm H: 4.5cm
 Beam Angle 120°
 Material Aluminium
 Color Sandy Black / **Code S133**
 Sandy White / **Code S134**



Power 10W
 Input 220-240V, 50/60Hz
 Color Temperature 3000K
 Lumen 733Lm
 Cri 80
 Dimensions L: 7.5cm W: 7.5cm H: 9.5cm
 Beam Angle 32°
 Non Dimmable
 Material Aluminium - Glass
 Special Feature Included LED Driver
 Color White - Black Reflector / **Code S068**
 Black - Black Reflector / **Code S069**

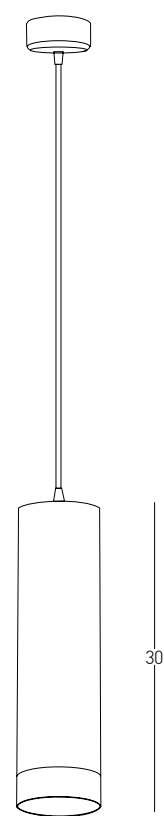


Bulb 1x GU10
 Power 40W MAX
 Dimensions L: 9cm W: 9cm H: 11.5cm
 Material Aluminium
 Special Feature GU10 Lampholder Included
 Color White Matt / **Code S039**
 Color Black Matt / **Code S040**



Bulb 1x GU10
 Power 40W MAX
 Dimensions L: 9cm W: 9cm H: 11.5cm
 Material Aluminium
 Special Feature GU10 Lampholder Included
 Color Sandy White / **Code S151**
 Color Sandy Black / **Code S152**





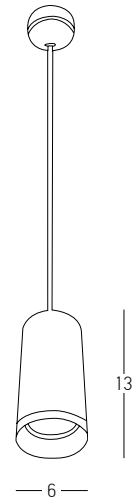
— 5.3 —

Bulb 1x GU10
 Power 15W MAX
 Input 220-240V, 50/60Hz
 Dimensions Ø: 5.3cm H: 30cm
 Base Ø: 6.4cm H: 3cm
 Material Aluminium
 Special Feature 150cm Cable Adjustable
 GU10 Lampholder Included
 Color Sandy White / **Code S156**
 Color Sandy Black / **Code S157**
 Color Brushed Gold - Black Ring / **Code S158**



Sandy Black Ring
 Material Aluminium
Code RFL B 158





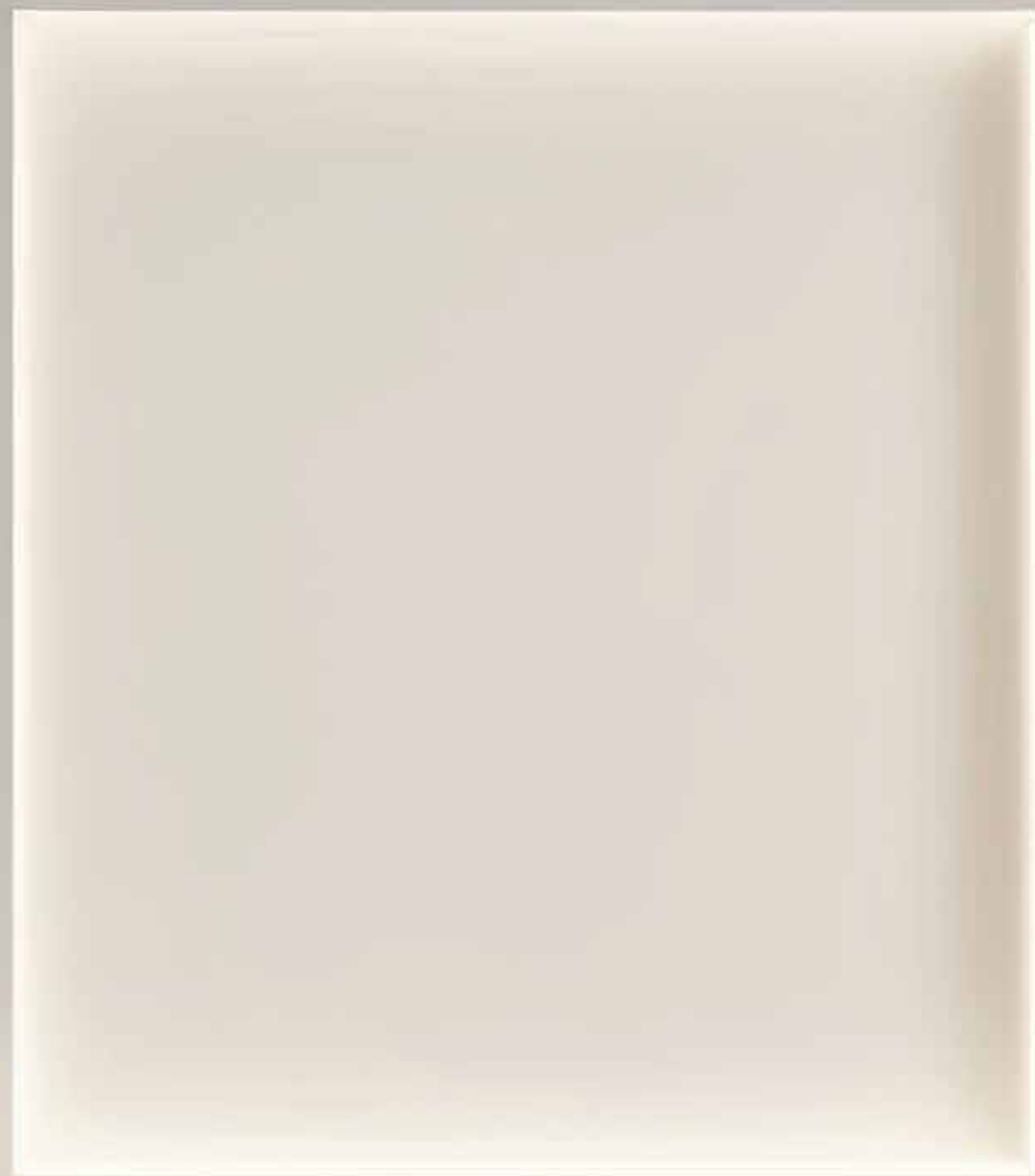
Bulb 1x GU10
 Power 40W MAX
 Dimensions Ø: 6cm H: 13cm
 Base Ø: 6cm H: 3cm
 Material Aluminium
 Special Feature 200cm Cable Adjustable
 Color Black Matt / **Code S063**

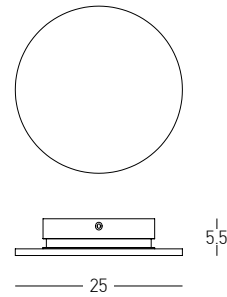
Power 9W
 Input 220-240V, 50/60Hz
 Color Temperature 3000K
 Lumen 720Lm
 Cri 90
 Dimensions Ø: 6cm H: 13cm
 Base Ø: 6cm H: 3cm
 Beam Angle 15° / 24° / 40°
 Material Aluminium
 Special Feature 200cm Cable Adjustable
 Included LED Driver

Color Black Matt / **Code S063-15**
 Color Black Matt / **Code S063-24**
 Color Black Matt / **Code S063-40**

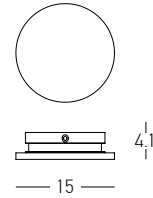


GYPSUM | p.248-259



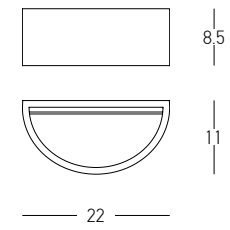
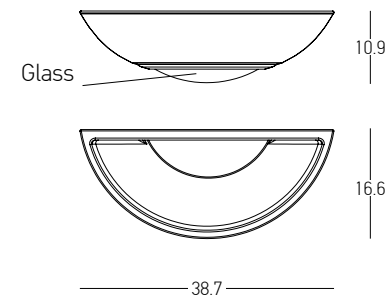


Power 9.2W
Input 220-240V , 50/60Hz
Color Temperature 3000K
Lumen 460Lm
Cri 80
Dimensions Ø: 25cm L: 5.5cm
Material Gypsum
Color Pure White / **Code 20272**



Power 7.5W
Input 220-240V , 50/60Hz
Color Temperature 3000K
Lumen 375Lm
Cri 80
Dimensions Ø: 15cm L: 4.1cm
Material Gypsum
Color Pure White / **Code 20271**

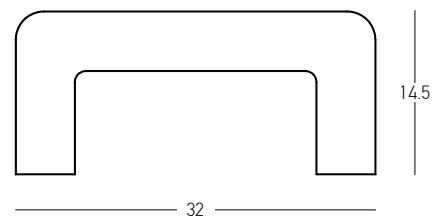




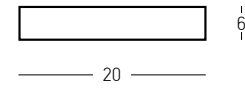
Bulb 1x E27
 Power 40W MAX
 Input 220-240V . 50/60Hz
 Dimensions L: 16.6cm W:38.7cm H: 10.9cm
 Material Gypsum - Glass
 Color Pure White / **Code 20273**

Bulb 1x E14
 Power 40W MAX
 Input 220-240V . 50/60Hz
 Dimensions L: 11cm W: 22cm H: 8.5cm
 Material Gypsum
 Color Pure White / **Code 20274**

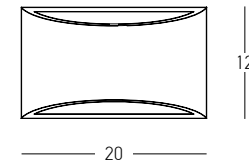




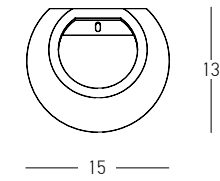
Bulb 1x G9
 Power 25W MAX
 Input 220-240V , 50/60Hz
 Dimensions L: 14.5cm W: 32cm H: 5.5cm
 Material Gypsum
 Color Pure White / **Code 180026**



Bulb 1x G9
 Power 25W MAX
 Input 220-240V , 50/60Hz
 Dimensions L: 10cm W: 20cm H: 6cm
 Material Gypsum
 Color Pure White / **Code 180027**



Bulb 1x G9
 Power 25W MAX
 Input 220-240V , 50/60Hz
 Dimensions L: 8.5cm W: 20cm H: 12cm
 Material Gypsum
 Color Pure White / **Code 180025**



Bulb 1x G9
 Power 25W MAX
 Input 220-240V , 50/60Hz
 Dimensions L: 13cm W: 15cm H: 13cm
 Material Gypsum
 Color Pure White / **Code 180028**





Bulb 1x GU10
 Power 50W MAX
 Input 220-240V, 50/60Hz
 Dimensions L: 12cm W: 12cm H: 7cm
 Cutting Hole L: 12.2cm W: 12.2cm
 Material Gypsum
 Depth Required JTL: 14cm
 Special Feature GU10 Lampholder Included
 Color Pure White / **Code S030**



Bulb 1x GU10
 Power 50W MAX
 Input 220-240V, 50/60Hz
 Dimensions L: 12cm W: 12cm H: 6.1cm
 Cutting Hole L: 12.2cm W: 12.2cm
 Material Gypsum
 Depth Required JTL: 11.5cm
 Special Feature GU10 Lampholder Included
 Color Pure White / **Code S025**



Bulb 1x GU10
 Power 50W MAX
 Input 220-240V, 50/60Hz
 Dimensions Ø: 10cm H: 3cm
 Cutting Hole Ø: 10.3cm
 Material Gypsum
 Depth Required JTL: 9cm
 Special Feature GU10 Lampholder Included
 Color Pure White / **Code S027**



Bulb 1x GU10
 Power 50W MAX
 Input 220-240V, 50/60Hz
 Dimensions L: 12cm W: 12cm H: 6.2cm
 Cutting Hole L: 12.2cm W: 12.2cm
 Material Gypsum
 Depth Required JTL: 11.5cm
 Special Feature GU10 Lampholder Included
 Color Pure White / **Code S029**





Bulb 1x GU10
Power 50W MAX
Input 220-240V, 50/60Hz
Dimensions L: 8cm W: 8cm H: 6cm
Cutting Hole L: 8.2cm W: 8.2cm
Material Gypsum
Depth Required JTT: 12cm
Special Feature GU10 Lampholder Included
Color Pure White / **Code S047**



Bulb 1x GU10
Power 50W MAX
Input 220-240V, 50/60Hz
Dimensions L: 8cm W: 8cm H: 6cm
Cutting Hole L: 8.2cm W: 8.2cm
Material Gypsum
Depth Required JTT: 12cm
Special Feature GU10 Lampholder Included
Color Pure White / **Code S048**



ALUMINIUM PROFILES-LED STRIPS-DRIVERS | p.260-279



2m Profile + Opal PC Cover, Aluminium

17.2

12.5

14.4

End Caps **Metal Clips**

Profile Set	
20193	2m Aluminium Profile + 2m Opal PC Cover
20193-E	2pcs End Caps with Hole , 2pcs End Caps without Hole , 4pcs Metal Clips

2m Profile + Opal PC Cover , Aluminium

52.2

9.65

13.1

12.2

End Caps

Profile Set	
20205	2m Aluminium Profile + 2m Opal PC Cover
20205-E	2pcs End Caps with Hole , 2pcs End Caps without Hole

2m Profile + Opal PC Cover, Aluminium

24.8

12.2

14.4

17.1

End Caps **Metal Clips**

Profile Set	
20194	2m Aluminium Profile + 2m Opal PC Cover
20194-E	2pcs End Caps with Hole , 2pcs End Caps without Hole , 4pcs Metal Clips

2m Profile + Opal PC Cover , Aluminium

56.6

12.5

10.6

17.4

End Caps

Profile Set	
20203	2m Aluminium Profile + 2m Opal PC Cover
20203-E	2pcs End Caps with Hole , 2pcs End Caps without Hole

2m Profile + Opal PC Cover, Aluminium

16

12

16

End Caps **Metal Clips**

Profile Set	
20197	2m Aluminium Profile + 2m Opal PC Cover
20197-E	2pcs End Caps with Hole , 2pcs End Caps without Hole , 4pcs Metal Clips

2m Profile + Opal PC Cover , Aluminium

61.4

21

14

27.9

End Caps

Profile Set	
20204	2m Aluminium Profile + 2m Opal PC Cover
20204-E	2pcs End Caps with Hole , 2pcs End Caps without Hole

2m Profile + Opal PC Cover, Aluminium

End Caps Side Hanging End Caps Top Hanging Kit

Profile Set	
20190	2m Aluminium Profile + 2m Opal PC Cover + 2pcs End Caps
20190-H	2pcs Top Hanging Kit
20190-S	2pcs Side Hanging End Caps

2m Profile + Opal PC Cover, Aluminium
2m Profile + Clear PC Cover, Aluminium

End Caps Metal Clips

Profile Set	
20199	2m Aluminium Profile + 2m Opal PC Cover
20199-E	2pcs End Caps with Hole , 2pcs End Caps without Hole , 4pcs Metal Clips

2m Profile + Opal PC Cover, Aluminium

End Caps Metal Clips

Profile Set	
20195	2m Aluminium Profile + 2m Opal PC Cover
20195-E	2pcs End Caps with Hole , 2pcs End Caps without Hole , 4pcs Metal Clips

2m Profile + Opal PC Cover, Aluminium

End Caps Plastic Clips

Profile Set	
20201	2m Aluminium Profile + 2m Opal PC Cover
20201-E	1pcs End Caps with Hole , 1pcs End Caps without Hole , 2pcs Plastic Clips

2m Profile + Opal PC Cover, Aluminium

End Caps Metal Clips

Profile Set	
20198	2m Aluminium Profile + 2m Opal PC Cover
20198-E	2pcs End Caps with Hole , 2pcs End Caps without Hole , 4pcs Metal Clips

2m Profile + Opal PC Cover, Aluminium

End Caps Metal Clips

Profile Set	
20206	2m Aluminium Profile + 2m Opal PC Cover
20206-E	2pcs End Caps with Hole , 2pcs End Caps without Hole , 4pcs Metal Clips



2m Profile + Opal PC Cover, Aluminium



End Caps

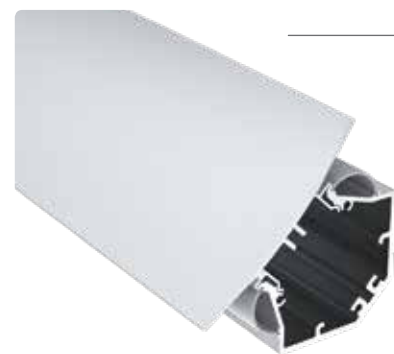
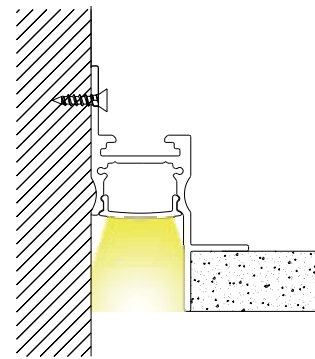
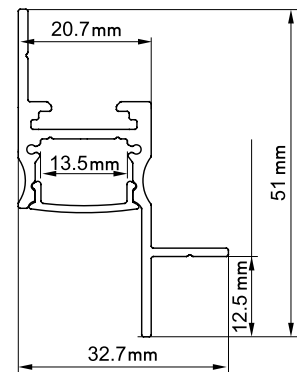


90° Corner Connector



Straight Connector

Profile Set	
20326	2m Aluminium Profile + 2m Opal PC Cover + 2pcs End Caps
20326-CC	1pc Corner Connector
20326-SC	1pc Straight Connector

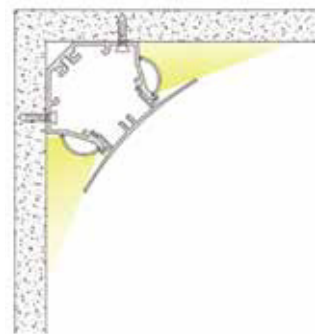
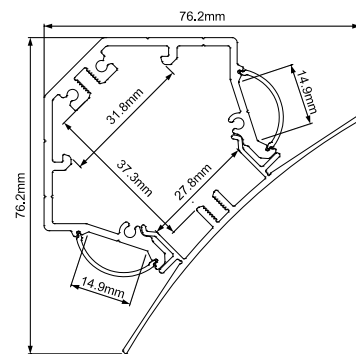


2m Profile + Opal PC Cover, Aluminium

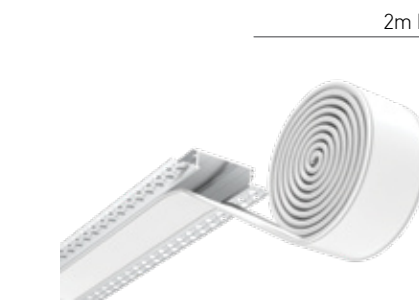
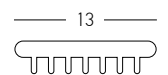
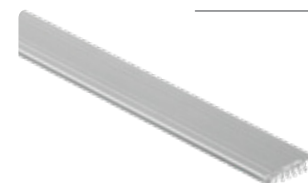


End Caps

Profile Set	
20327	2m Aluminium Profile + 4m Opal PC Cover + 2pcs End Caps
20327-W	2m Aluminium Profile White + 4m Opal PC Cover + 2pcs End Caps



2m Profile for Heat Dissipation, Aluminium / Code 20202



2m Profile + Opal PC Cover, Aluminium



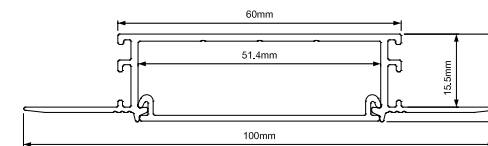
End Caps



90° Horizontal Connector



90° Vertical Connector



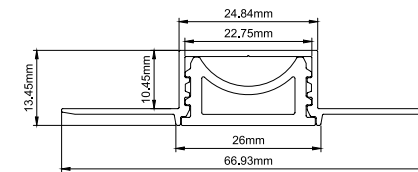
Profile Set	
20328	2m Aluminium Profile + 2m Opal PC Cover + 2pcs End Caps
20328-HC	1pc Horizontal Connector
20328-VC	1pc Vertical Connector
20328-OP1	10m Opal PC Cover
20328-OP2	20m Opal PC Cover

2m Side Bending Profile + Silicon Tube Diffuser, Aluminium



End Caps

Profile Set	
20329	2m Side Bending Aluminium Profile + 2m Silicon Tube Diffuser
20329-E	2pcs End Caps



2m Profile + Opal PC Cover, Aluminium



End Caps

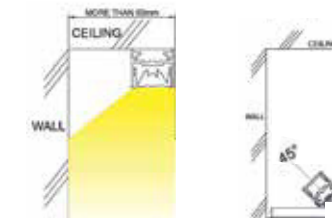
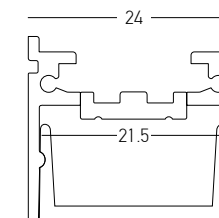


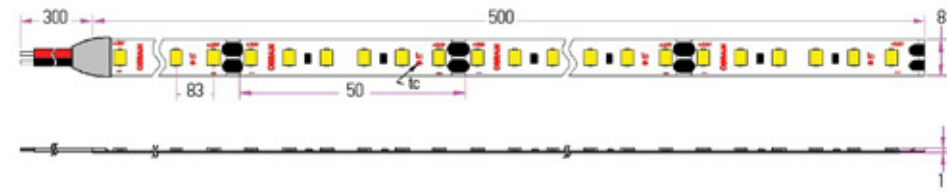
Metal Clips



45° Base for 20325

Profile Set	
20325	2m Aluminium Profile + 2m Opal PC Cover
20325-E	2pcs End Caps + 2pcs Metal Clips
20325-45B	1pc 45° Base for 20325





-LED STRIP 3.5W/m | 120 LEDs/m

Less Wattage Better Efficiency **NEW**

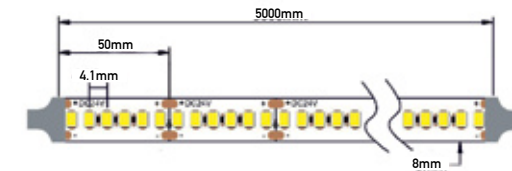
Code	IP	Kelvin	CRI	Watt	Lm/m
LS17	20	2700	85	3.5W/m	400
LS18	20	3000	85	3.5W/m	420
LS19	20	4000	85	3.5W/m	450
LS20	65	2700	85	3.5W/m	370
LS21	65	3000	85	3.5W/m	390
LS22	65	4000	85	3.5W/m	415

Lumen Efficiency 110Lm/W
 SDCM 3
 Ra 85
 LEDs/m 120
 Voltage DC24V
 Width IP20 8mm
 IP65 10.3mm
 Unit Cut 50mm
 Life Span 30000H
 Waterproof Rate IP20 + IP65



Dimming Options

1. DALI Dimming : Dali Driver 24V + Switch DALI MCU . Suitable with Drivers to Page : 275
2. BLUETOOTH Dimming : Element Driver 24V+OT BLE (CASAMBI App) . Suitable with Drivers to Page : 274 | 276
3. PHASECUT Dimming : Suitable with PhaseCut Drivers to Page : 276
4. 1-10 Dimming : 1-10 Driver 24V . Suitable with 1-10V Drivers to Page : 276
5. PUSH BUTTON Dimming : Dali Driver 24V to Page : 275



-LED STRIP 9.6W/m | 240 LEDs/m

NEW

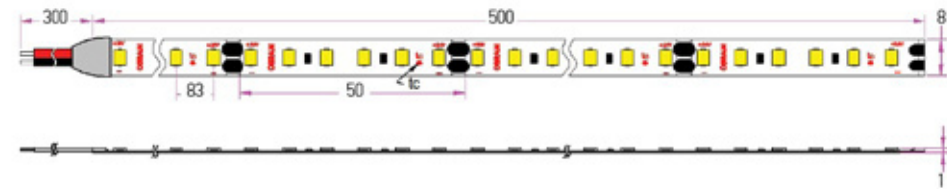
Code	IP	Kelvin	CRI	Watt	Lm/m
LS29	20	3000	85	9.6W/m	1000
LS33	20	4000	85	9.6W/m	1020

Lumen Efficiency 105Lm/W
 SDCM 3
 Ra 85
 LEDs/m 240
 Voltage DC24V
 Width 8mm
 Unit Cut 50mm
 Life Span 25000H
 Waterproof Rate IP20



Dimming Options

1. DALI Dimming : Dali Driver 24V + Switch DALI MCU . Suitable with Drivers to Page : 275
2. BLUETOOTH Dimming : Element Driver 24V+OT BLE (CASAMBI App) . Suitable with Drivers to Page : 274 | 276
3. PHASECUT Dimming : Suitable with PhaseCut Drivers to Page : 276
4. 1-10 Dimming : 1-10 Driver 24V . Suitable with 1-10V Drivers to Page : 276
5. PUSH BUTTON Dimming : Dali Driver 24V to Page : 275



-LED STRIP 8.6W/m | 120 LEDs/m

Less Wattage Better Efficiency **NEW**

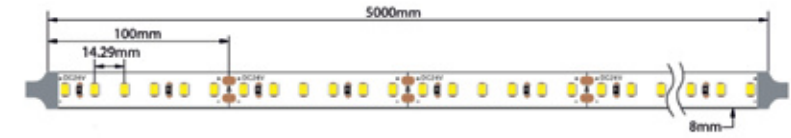
Code	IP	Kelvin	CRI	Watt	Lm/m
LS23	20	2700	85	8.6W/m	980
LS24	20	3000	85	8.6W/m	1020
LS25	20	4000	85	8.6W/m	1050
LS26	65	2700	85	8.6W/m	910
LS27	65	3000	85	8.6W/m	950
LS28	65	4000	85	8.6W/m	975

Lumen Efficiency 110Lm/W
 SDCM 3
 Ra 85
 LEDs/m 120
 Voltage DC24V
 Width IP20 8mm
 IP65 10.3mm
 Unit Cut 50mm
 Life Span 30000H
 Waterproof Rate IP20 + IP65



Dimming Options

1. DALI Dimming : Dali Driver 24V + Switch DALI MCU . Suitable with Drivers to Page : 275
2. BLUETOOTH Dimming : Element Driver 24V+OT BLE (CASAMBI App) . Suitable with Drivers to Page : 274 | 276
3. PHASECUT Dimming : Suitable with PhaseCut Drivers to Page : 276
4. 1-10 Dimming : 1-10 Driver 24V . Suitable with 1-10V Drivers to Page : 276
5. PUSH BUTTON Dimming : Dali Driver 24V to Page : 275



-LED STRIP 15.5W/m | 140 LEDs/m

NEW

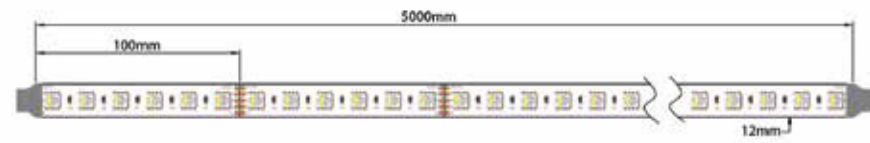
Code	IP	Kelvin	CRI	Watt	Lm/m
LS31	20	3000	85	15.5W/m	2000
LS32	20	4000	85	15.5W/m	2060

Lumen Efficiency 129Lm/W
 SDCM 3
 Ra 85
 LEDs/m 140
 Voltage DC24V
 Width 8mm
 Unit Cut 100mm
 Life Span 50000H
 Waterproof Rate IP20



Dimming Options

1. DALI Dimming : Dali Driver 24V + Switch DALI MCU . Suitable with Drivers to Page : 275
2. BLUETOOTH Dimming : Element Driver 24V+OT BLE (CASAMBI App) . Suitable with Drivers to Page : 274 | 276
3. PHASECUT Dimming : Suitable with PhaseCut Drivers to Page : 276
4. 1-10 Dimming : 1-10 Driver 24V . Suitable with 1-10V Drivers to Page : 276
5. PUSH BUTTON Dimming : Dali Driver 24V to Page : 275



-LED STRIP 16W/m RGBW

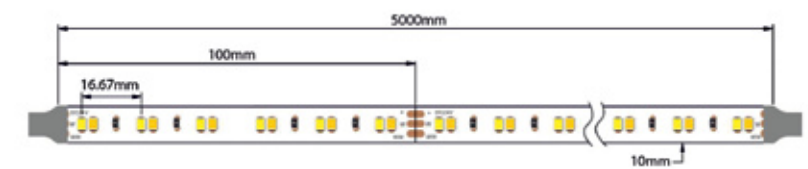
Code	IP	Kelvin	CRI	Watt	Lm/m
LS12	20	3000	80	16W/m	832

Lumen Efficiency 52Lm/W
 SDCM 3
 Ra 80
 LEDs/m 60
 Voltage DC24V
 Width 12mm
 Unit Cut 100mm
 Life Span 54000H
 Waterproof Rate IP20



Dimming Options

1. DALI Dimming : Element Driver 24V Up to 240W+OTi DALI DIM 1-4CH . Suitable with Drivers to Page : 274 | 276
2. BLUETOOTH Dimming : Element Driver 24V+OT BLE (CASAMBI App) . Suitable with Drivers to Page : 274 | 276



-LED STRIP TW (2700K-6500K)

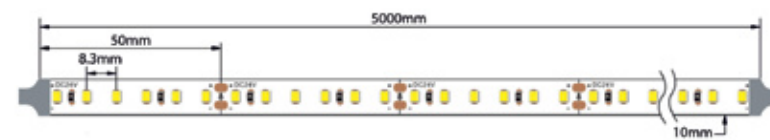
Code	IP	Kelvin	CRI	Watt	Lm/m
LS06	20	2700	90	12W/m	816
		6500	90	12W/m	1050
		2700+6500	90	24W/m	1866

Lumen Efficiency 78Lm/W
 SDCM 3
 Ra 90
 LEDs/m 120
 Voltage DC24V
 Width 10mm
 Unit Cut 100mm
 Life Span 20000H
 Waterproof Rate IP20



Dimming Options

1. DALI Dimming : Element Driver 24V Up to 240W+OTi DALI DIM 1-4CH . Suitable with Drivers to Page : 274 | 276
2. BLUETOOTH Dimming : Element Driver 24V+OT BLE (CASAMBI App) . Suitable with Drivers to Page : 274 | 276



-LED STRIP 2400K 12W/m

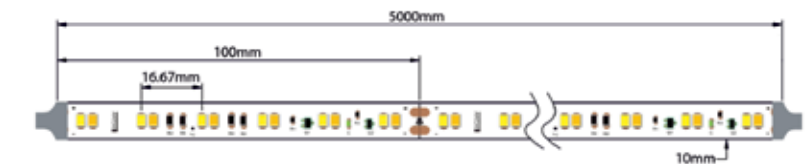
Code	IP	Kelvin	CRI	Watt	Lm/m
LS05	20	2400	90	12W/m	1200

Lumen Efficiency 100Lm/W
 SDCM 3
 Ra 90
 LEDs/m 120
 Voltage DC24V
 Width 10mm
 Unit Cut 50mm
 Life Span 20000H
 Waterproof Rate IP20



Dimming Options

1. DALI Dimming : Dali Driver 24V + Switch DALI MCU . Suitable with Drivers to Page : 275
2. BLUETOOTH Dimming : Element Driver 24V+OT BLE (CASAMBI App) . Suitable with Drivers to Page : 274 | 276
3. PHASECUT Dimming : Suitable with PhaseCut Drivers to Page : 276
4. 1-10 Dimming : 1-10 Driver 24V . Suitable with 1-10V Drivers to Page : 276
5. PUSH BUTTON Dimming : Dali Driver 24V to Page : 275



-LED STRIP DIM TO WARM

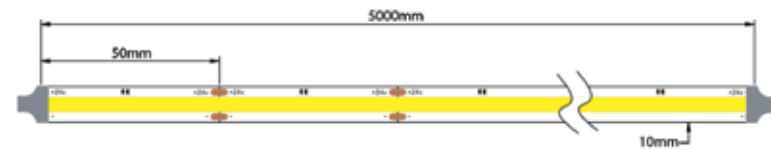
Code	IP	Kelvin	CRI	Watt	Lm/m
LS07	20	2100-3500	90	12W/m	MAX 1050

Lumen Efficiency 88Lm/W
 Ra 90
 LEDs/m 120
 Voltage DC24V
 Width 10mm
 Unit Cut 100mm
 Life Span 20000H
 Waterproof Rate IP20



Dimming Options

1. DALI Dimming : Dali Driver 24V + Switch DALI MCU . Suitable with Drivers to Page : 275
2. BLUETOOTH Dimming : Element Driver 24V+OT BLE (CASAMBI App) . Suitable with Drivers to Page : 274 | 276
3. PHASECUT Dimming : Suitable with PhaseCut Drivers to Page : 276
4. PUSH BUTTON Dimming : Dali Driver 24V to Page : 275



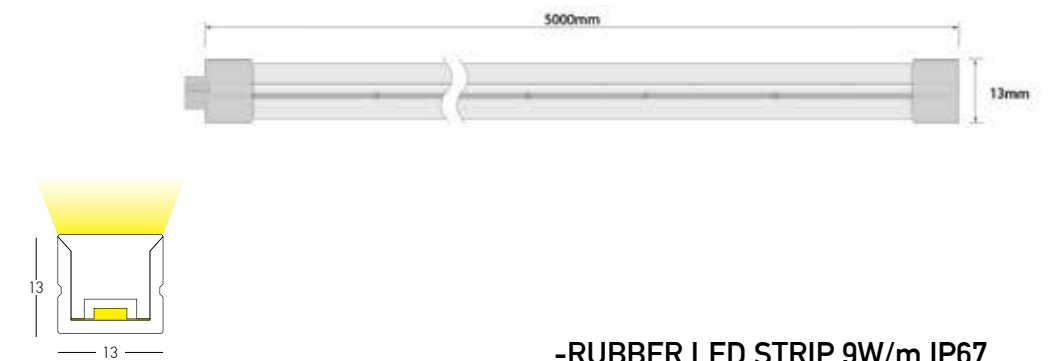
-LED STRIP COB 10W

Code	IP	Kelvin	CRI	Watt	Lm/m
LS02	20	2700	90	10W/m	950
LS03	20	3000	90	10W/m	1000
LS04	20	4000	90	10W/m	1105

Lumen Efficiency 110Lm/W
 SDCM 3
 Ra 90
 SMD Type COB
 LEDs/m 480
 Voltage DC24V
 Width 10mm
 Unit Cut 50mm
 Life Span 20000H
 Waterproof Rate IP20

Dimming Options

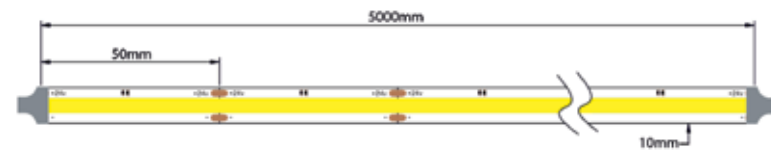
1. DALI Dimming : Dali Driver 24V + Switch DALI MCU . Suitable with Drivers to Page : 275
2. BLUETOOTH Dimming : Element Driver 24V+OT BLE (CASAMBI App) . Suitable with Drivers to Page : 274 | 276
3. PHASECUT Dimming : Suitable with PhaseCut Drivers to Page : 276
4. 1-10 Dimming : 1-10 Driver 24V . Suitable with 1-10V Drivers to Page : 276
5. PUSH BUTTON Dimming : Dali Driver 24V to Page : 2751



-RUBBER LED STRIP 9W/m IP67

Code	IP	Kelvin	CRI	Watt	Lm/m
LS14	67	3000	90	9W/m	468
LS15	67	4000	90	9W/m	495

Lumen Efficiency 55Lm/W
 SDCM 3
 Ra 90
 LEDs/m 112
 Voltage DC24V
 Unit Cut 55.5mm
 Life Span 20000H
 Waterproof Rate IP67
 Special Feature UV resistant
 Chemical resistant



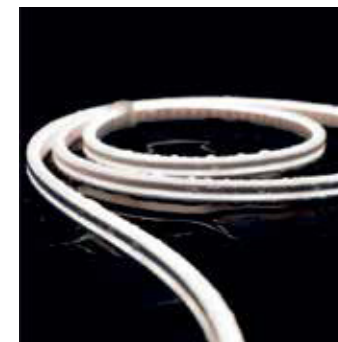
-LED STRIP COB 5W

Code	IP	Kelvin	CRI	Watt	Lm/m
LS01	20	2700	90	5W/m	510

Lumen Efficiency 110Lm/W
 SDCM 3
 Ra 90
 SMD Type COB
 LEDs/m 480
 Voltage DC24V
 Width 10mm
 Unit Cut 50mm
 Life Span 20000H
 Waterproof Rate IP20

Dimming Options

1. DALI Dimming : Dali Driver 24V + Switch DALI MCU . Suitable with Drivers to Page : 275
2. BLUETOOTH Dimming : Element Driver 24V+OT BLE (CASAMBI App) . Suitable with Drivers to Page : 274 | 276
3. PHASECUT Dimming : Suitable with PhaseCut Drivers to Page : 276
4. 1-10 Dimming : 1-10 Driver 24V . Suitable with 1-10V Drivers to Page : 276
5. PUSH BUTTON Dimming : Dali Driver 24V to Page : 275



-RUBBER LED STRIP 6W/m IP67

Code	IP	Kelvin	CRI	Watt	Lm/m
LS08	67	2700	95	6W/m	240
LS09	67	3000	95	6W/m	256
LS16	67	4000	95	6W/m	240

Lumen Efficiency 42Lm/W
 SDCM 3
 Ra 95
 LEDs/m 480
 Voltage DC24V
 Unit Cut 25mm
 Life Span 20000H
 Waterproof Rate IP67
 Special Feature UV resistant
 Chemical resistant



Power 30W
 Input 220-240V, 50/60Hz
 Output 24V
 Dimensions W: 4.1cm H: 2.7cm L: 14.5cm
 Non Dimmable ☒ On-Off
 ELEMENT 30/220-240/24 G2
 Material Plastic
 Special Feature IP 20
 Color White / Code 4052899605503

OSRAM



Power 60W
 Input 220-240V, 50/60Hz
 Output 24V
 Dimensions W: 4.1cm H: 3.1cm L: 20.1cm
 Non Dimmable ☒ On-Off
 ELEMENT 60/220-240/24 G2
 Material Plastic
 Special Feature IP 20
 Color White / Code 4052899605527

OSRAM



Power 30W
 Input 220-240V, 50/60Hz
 Output 24V
 Dimensions W: 6.7cm H: 3cm L: 10.3cm
 DALI Dimming ○ Push Button - DALI2
 1 CHANNEL
 Material Plastic
 Special Feature IP 20
 Color White / Code 4062172329767

OSRAM



Power 50W
 Input 220-240V, 50/60Hz
 Output 24V
 Dimensions W: 3.2cm H: 2.2cm L: 34.6cm
 DALI Dimming ○ Push Button - DALI2
 1 CHANNEL
 Material Plastic
 Special Feature IP 20
 Color White / Code 4062172274340

OSRAM



Power 120W
 Input 220-240V, 50/60Hz
 Output 24V
 Dimensions W: 4.1cm H: 3.1cm L: 26cm
 Non Dimmable ☒ On-Off
 ELEMENT 120/220-240/24 G2
 Material Plastic
 Special Feature IP 20
 Color White / Code 4052899605541

OSRAM



Power 180W
 Input 220-240V, 50/60Hz
 Output 24V
 Dimensions W: 4cm H: 3.1cm L: 30cm
 Non Dimmable ☒ On-Off
 ELEMENT 180/220-240/24 G2
 Material Plastic
 Special Feature IP 20
 Color White / Code 4052899605565

OSRAM



Power 80W
 Input 220-240V, 50/60Hz
 Output 24V
 Dimensions W: 3.2cm H: 2.2cm L: 34.6cm
 DALI Dimming ○ Push Button - DALI2
 1 CHANNEL
 Material Plastic
 Special Feature IP 20
 Color White / Code 4062172274364

OSRAM



Power 160W
 Input 220-240V, 50/60Hz
 Output 24V
 Dimensions W: 5cm H: 3.5cm L: 30cm
 DALI Dimming ○ Push Button - DALI2
 1 CHANNEL
 Material Plastic
 Special Feature IP 20
 Color White / Code 4062172274388

OSRAM



Power 250W
 Input 220-240V, 50/60Hz
 Output 24V
 Dimensions W: 3.5cm H: 5cm L: 37.5cm
 Non Dimmable ☒ On-Off
 ELEMENT 250/220-240/24 G2
 Material Plastic
 Special Feature IP 20
 Color White / Code 4062172333467

OSRAM



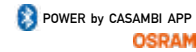
Input 220-240V, 50/60Hz
 Dimensions W: 5cm H: 8cm L: 8cm
 DALI Dimming ○
 DALI MCU Tunable White Switch
 Material Plastic
 Special Feature IP 20
 Color White / Code 4052899465916



24V ON-OFF DRIVERS

24V DALI DRIVERS

Power 240W
 Input 220-240V, 50/60Hz
 Dimensions W: 4.2cm H: 2cm L: 17.2cm
 Bluetooth Dimming OT BLE DIM 0-100%
 Material Plastic
 Special Feature IP 20
 Color White / Code 4052899557833



Power 100W
 Input 220-240V, 50/60Hz
 Output 24V
 Dimensions W: 5cm H: 3cm L: 23cm
 Dimmable Triac 1-10
 Material Metal
 Special Feature IP 20
 Color Metal / Code Z89100VND



Power 10W
 Input 220-240V, 50/60Hz
 Output 350mA
 Forward Voltage 10-20V
 Dimensions W: 3cm H: 2.1cm L: 13.9cm
 Dimmable PhaseCut, 1-10V
 Material Plastic
 Special Feature IP 20
 Color White / Code 87500283

TRIDONIC



Power 15W
 Input 220-240V, 50/60Hz
 Output 350mA
 Forward Voltage 21-46V
 Dimensions W: 3cm H: 2.1cm L: 13.9cm
 Dimmable PhaseCut
 Material Plastic
 Special Feature IP 20
 Color White / Code 89800255

TRIDONIC



Power 182W
 Input 220-240V, 50/60Hz
 Dimensions W: 4.2cm H: 2cm L: 17.2cm
 DMX Dimming OT DMX RGBW DIM 0-100%
 Material Plastic
 Special Feature IP 20
 Color White / Code 4052899557949

OSRAM



Power 200W
 Input 220-240V, 50/60Hz
 Output 24V
 Dimensions W: 5cm H: 3cm L: 28.7cm
 Dimmable Triac 1-10
 Material Metal
 Special Feature IP 20
 Color Metal / Code Z89200VND



Power 10W
 Input 220-240V, 50/60Hz
 Output 500mA
 Forward Voltage 14-28V
 Dimensions W: 3cm H: 2.1cm L: 13.9cm
 Dimmable PhaseCut, 1-10V
 Material Plastic
 Special Feature IP 20
 Color White / Code 87500284

TRIDONIC



Power 15W
 Input 220-240V, 50/60Hz
 Output 500mA
 Forward Voltage 13.5-30V
 Dimensions W: 3cm H: 2.1cm L: 13.9cm
 Dimmable PhaseCut
 Material Plastic
 Special Feature IP 20
 Color White / Code 89800256

TRIDONIC



Input 24V
 Output Up to 240W
 Dimensions W: 4.2cm H: 2cm L: 18cm
 DALI Dimming OTi DALI DIM 1-4CH
 Material Plastic
 Special Feature IP 20
 Color White / Code 4062172166010

OSRAM



Power 9.1W
 Input 220-240V, 50/60Hz
 Output 700mA
 Forward Voltage 8-13V
 Dimensions W: 3.5cm H: 2cm L: 4.7cm
 PhaseCut Dimming
 Material Plastic
 Special Feature IP 20
 Color White / Code KGP-10P



Power 15W
 Input 220-240V, 50/60Hz
 Output 700mA
 Forward Voltage 10-21.5V
 Dimensions W: 3cm H: 2.1cm L: 13.9cm
 PhaseCut Dimming
 Material Plastic
 Special Feature IP 20
 Color White / Code 89800257

TRIDONIC



Coins 50					
Code	Description	Kelvin	CRI	Watt	Lumen
4052899583603	PL-CN50-COB-900-927-15D-G1	2700	90	12.90W	1400
4052899583627	PL-CN50-COB-900-927-24D-G1	2700	90	12.90W	1400
4052899583641	PL-CN50-COB-900-927-40D-G1	2700	90	12.90W	1400
4052899541153	PL-CN50-COB-900-930-15D-G1	3000	90	12.90W	1400
4052899541191	PL-CN50-COB-900-930-24D-G1	3000	90	12.90W	1400
4052899541757	PL-CN50-COB-900-930-40D-G1	3000	90	12.90W	1400
4052899541795	PL-CN50-COB-900-940-15D-G1	4000	90	12.90W	1400
4052899541771	PL-CN50-COB-900-940-24D-G1	4000	90	12.90W	1400
4052899541818	PL-CN50-COB-900-940-40D-G1	4000	90	12.90W	1400
4052899605763	PL-CN50-COB-900-D2W-24D-G1	Dim to Warm	90	12.90W	1400
4052899605787	PL-CN50-COB-900-D2W-40D-G1	Dim to Warm	90	12.90W	1400

Life Span : 50000H

*7 Years Guarantee when combined with OSRAM drivers

2nd Generation
Better Efficiency



Power 18W
Input 220-240V, 50/60Hz
Output 350mA
Dimensions W: 5.3cm H: 3cm L: 9.5cm
PhaseCut Dimming
OT FIT 18/220-240/350
Material Plastic
Special Feature IP 20
Color White / Code 4062172007559
OSRAM



Power 10W
Input 220-240V, 50/60Hz
Output 150-500mA
Forward Voltage 2.5-45V
Dimensions W: 6cm H: 2.4cm L: 6cm
DALI Dimming
Material Plastic
Special Feature IP 20
Color White / Code KGP-10D



Power 10W / 14W
Input 220-240V, 50/60Hz
Output 250mA / 350mA
Forward Voltage 50V MAX
Dimensions W: 4.25cm H: 2cm L: 4.75cm
Non Dimmable
Material Plastic
Special Feature IP 20
Color White / Code 28003210
TRIDONIC



Power 15W
Input 220-240V, 50/60Hz
Output 350mA
Dimensions W: 4.3cm H: 2.2cm L: 9cm
Non Dimmable
On-Off ELEMENT 15/220-240/350S
Material Plastic
Special Feature IP 20
Color White / Code 4052899552906
OSRAM



Power 10W
Input 220-240V, 50/60Hz
Output 150-700mA
Forward Voltage 2.5-45V
Dimensions W: 3cm H: 2.2cm L: 16.6cm
DALI Dimming
OTi DALI 10/220-240/700 NFC I
Material Plastic
Special Feature IP 20
Color White / Code 4062172151252
OSRAM



Power 15W
Input 220-240V, 50/60Hz
Output 100-1050mA
Forward Voltage 7.5-54V
Dimensions W: 5.3cm H: 3cm L: 9.5cm
DALI Dimming
OTi DALI 15 NFC
Material Plastic
Special Feature IP 20
Color White / Code 4052899548190
OSRAM



Power 20W
Input 220-240V, 50/60Hz
Output 200-500mA
Forward Voltage 20-50V
Dimensions W: 5cm H: 3.2cm L: 20.4cm
DALI Dimming
OTi DALI 20/220-240/500 NFC I
Material Plastic
Special Feature IP 20
Color White / Code D-DALI20
OSRAM



Power 7W
Input 220-240V, 50/60Hz
Output 350mA
Forward Voltage 2.7-19.2V
Dimensions W: 2.6cm H: 2cm L: 3.6cm
Not Dimmable
On-Off Driver
Material Plastic
Special Feature IP 20
Color White / Code LSCW350P



Power 7W
Input 220-240V, 50/60Hz
Output 500mA
Forward Voltage 2.7-12.8V
Dimensions W: 2.6cm H: 2cm L: 3.6cm
Not Dimmable
On-Off Driver
Material Plastic
Special Feature IP 20
Color White / Code LSCW500P



Power 7W
Input 220-240V, 50/60Hz
Output 700mA
Forward Voltage 2.7-9.6V
Dimensions W: 2.6cm H: 2cm L: 3.6cm
Not Dimmable
On-Off Driver
Material Plastic
Special Feature IP 20
Color White / Code LSCW700P



All Codes List

18303	152	19410	147	2089-27B	52	20197-E	262	20317-W	75	22120	99	23119	27	E333	204
18304	152	19411	147	2089-3W	66	20198	264	20318-B	75	22121	99	23120	27	E333-4-BOX	204
18305	152	19412	147	2089-4B	52	20198-E	264	20318-W	75	22133	239	23121	26	S001	230
18306	152	19413	147	2089-4W	66	20199	265	20319-B	75	22134	239	23122	26	S002	230
180013	195	19414	147	2090	54	20199-E	265	20319-W	75	22251	111	23123	26	S007	221
180015	160	19415	147	2091	54	20201	265	20320-B	75	22252	111	23124	28	S008	221
180016	205	19416	147	2091-27B	54	20201-E	265	20320-W	75	22253	111	23125	28	S009	220
180017	160	19430	147	2091-3W	66	20202	267	20321-B	75	22254	112	23126	34	S010	220
180025	255	19431	147	2091-4B	54	20203	263	20321-W	75	22255	122	23127	34	S011	220
180026	254	2081	64	2092	56	20203-E	263	20322	73	22256	112	23128	34	S012	220
180027	254	2081-D	64	2092-D	56	20204	263	20325	267	22257	115	23129	34	S013	221
180028	255	2081-W	64	2093	58	20204-E	263	20325-45B	267	22258	114	23130	26	S014	221
1926	195	2081-WD	64	2094	58	20205	263	20325-E	267	22259	115	23131	27	S019	219
1927	195	2082B-1	49	2095	63	20205-E	263	20326	266	22260	114	23132	27	S020	219
1928	160	2082B-2	49	2095-D	63	20206	265	20326-CC	266	22260-E	115	23133	26	S025	256
1928-B	160	2082B-3	49	2096	72	20206-E	265	20326-SC	266	22260-I	114	23134	35	S027	256
19151	118	2082B-C1	49	2096-2M	72	20271	250	20327	266	22261	114	23139	17	S029	256
19152	118	2082B-C2	49	2096-W	72	20272	250	20327-W	266	22262	114	23140	17	S030	256
19153	120	2082SP	49	2096-W2M	72	20273	252	20328	267	22263	115	23141	17	S037	164
19154	120	2082W-1	49	2097	51	20274	252	20328-HC	267	22264	115	23142	17	S038	164
19155	120	2082W-2	49	2097-B	49	20290	54	20328-OP1	267	22265	115	23143	17	S039	242
19156	120	2082W-3	49	2098-B	49	20291	54	20328-OP2	267	22269	73	23144	17	S040	242
19157	118	2082W-C1	49	2098-W	49	20291-W	68	20328-VC	267	22270	104	23145	16	S045	206
19158	118	2082W-C2	49	2099-B	48	20293	72	20329	267	22271	104	23146	16	S046	206
19159	118	2083B-1	48	2099-W	48	20295	35	20329-E	267	22272	104	23147	16	S047	258
19160	118	2083B-2	48	20101-B	51	20296	35	20400-BD	60	22273B-1	80	23148	15	S048	258
19161	118	2083B-3	48	20101-W	51	20297	35	20401-WD	70	22273B-2	80	23149	15	S054	158
19162	118	2083B-C1	48	20102	51	20298	73	20402-B	60	22273B-3	80	23150	15	S054-15	158
19163	118	2083B-C2	48	20102-B	49	20299	73	20403-W	70	22274B-1	82	23151	15	S054-24	158
19164	118	2083W-1	48	20103	72	20300	73	20404	70	22274B-2	82	23152	14	S054-40	158
19165	118	2083W-2	48	20103-W	72	20301	73	20405	70	22274B-3	82	23153	16	S055	158
19166	118	2083W-3	48	20104	72	20302	73	20406	60	22275	80	23154	21	S055-15	158
19167	121	2083W-C1	48	20104-W	72	20303	73	20407-BD	60	22276	82	23155	14	S055-24	158
19168	121	2083W-C2	48	20105	72	20304	73	20410	60	22277	80	23156	15	S055-40	158
19169	118	2084B-1	50	20105-W	72	20305	73	20411	60	22278	82	23157	21	S056	158
19170	118	2084B-2	50	20106	50	20306-B	74	20412	70	22279	102	23159	35	S056-15	158
19171	118	2084B-3	50	20107	48	20306-W	74	20413	60	22280	102	23177	38	S056-24	158
19172	118	2084B-C1	50	20107-W	48	20307-B	74	20414	70	22281	102	23178	38	S056-40	158
19400	146	2084B-C2	50	20108-1B	50	20307-W	74	20415	60	22282	102	23179	38	S057	158
19400-1M	146	2084W-1	50	20108-1W	50	20308-B	74	22090	94	22283	104	23180	38	S057-15	158
19400-2M	146	2084W-2	50	10108-B	50	20308-W	74	22091	96	22284	102	23181	43	S057-24	158
19400-4M	146	2084W-3	50	20108-W	50	20309-B	74	22092	84	22285	102	23182	40	S057-40	158
19401	146	2084W-C1	50	20139	120	20309-W	74	22093	84	22286	102	23183	40	S058	156
19401-1M	146	2084W-C2	50	20140	120	20310-B	74	22094	84	22287	102	23184	40	S058-15	156
19401-2M	146	2085B-1	51	20177	62	20310-W	74	22095	99	22290	73	23185	40	S058-24	156
19401-4M	146	2085B-2	51	20178	62	20311-B	74	22097	94	22291	73	23186	42	S058-40	156
19402-L	146	2085B-3	51	20179	62	20311-W	74	22097-C	99	22292	73	23187	42	S059	156
19402-R	146	2085B-C1	51	20180	62	20312-B	74	22097-E	99	22293	73	23188	42	S059-15	156
19403-L	146	2085B-C2	51	20190	264	20312-W	74	22098	96	22294	73	23189	42	S059-24	156
19403-R	146	2085W-1	51	20190-H	264	20313-B	74	22099	84	23110	30	23262	26	S059-40	156
19404-L	147	2085W-2	51	20190-S	264	20313-W	74	22100	84	23111	30	23263	26	S060	219
19404-R	147	2085W-3	51	20193	262	20314-B	75	22101	84	23112	30	23264	28	S061	219
19405-L	147	2085W-C1	51	20193-E	262	20314-W	75	22102	94	23113	30	23265	28	S062	156
19405-R	147	2085W-C2	51	20194	262	20315-B	75	22103	96	23114	32	23280	35	S062-15	156
19406	146	2086	52	20194-E	262	20315-W	75	22104	99	23115	32	23295	17	S062-24	156
19407	146	2087	52	20195	264	20316-B	75	22105	99	23116	33	23296	17	S062-40	156
19408	147	2088	52	20195-E	264	20316-W	75	22106	99	23117	33	23297	17	S063	246
19409	147	2089	52	20197	262	20317-B	75	22107	84	23118	27	E332	204	S063-15	246

S063-24 **246**
 S063-40 **246**
 S065 3B- **148**
 S065 3W- **148**
 S065 4B- **148**
 S066 3B- **148**
 S066 3W- **148**
 S066 4B- **148**
 S066 4W- **148**
 S068 **241**
 S069 **241**
 S070 **193**
 S071 **193**
 S073 **188**
 S074 **188**
 S075 **188**
 S076 **188**
 S077 **192**
 S078 **192**
 S084 **200**
 S085 **200**
 S086 **200**
 S087 **201**
 S088 **214**
 S089 **214**
 S090 **214**
 S091 **214**
 S094 **192**
 S095 **190**
 S095-B **191**
 S095-C **191**
 S095-G **191**
 S096 **190**
 S096-B **191**
 S096-C **191**
 S096-G **191**
 S097 **190**
 S097-B **191**
 S097-C **191**
 S097-G **191**
 S102 **201**
 S110 **206**
 S111 **206**
 S112 **238**
 S113 **238**
 S114 **154**
 S115 **154**
 S116 **154**
 S117 **154**
 S118 **154**
 S119 **154**
 S120 **154**
 S121 **154**
 S122 **154**
 S123 **154**
 S124 **154**
 S125 **212**
 S126 **213**

S127 **212**
 S128 **213**
 S129 **212**
 S130 **213**
 S131 **240**
 S132 **240**
 S133 **240**
 S134 **240**
 S135 **170**
 S136 **170**
 S137 **172**
 S138 **172**
 S139 **171**
 S140 **171**
 S141 **173**
 S142 **173**
 S143 **194**
 S144 **194**
 S145 **194**
 S146 **194**
 S147 **222**
 S148 **217**
 S149 **217**
 S150 **218**
 S151 **242**
 S152 **242**
 S153 **232**
 S154 **232**
 S155 **232**
 S156 **244**
 S157 **244**
 S158 **244**
 S159 **236**
 S160 **236**
 S161 **236**
 S162 **205**
 S163 **218**
 S164 **218**
 S165 **208**
 S166 **208**
 S167 **208**
 S168 **208**
 S169 **182**
 S170 **182**
 S171 **182**
 S172 **182**
 S173 **186**
 S174 **186**
 S175 **184**
 S176 **184**
 S177 **186**
 S178 **186**
 S179 **230**
 S180 **230**
 S181 **174**
 S182 **174**
 S183 **174**
 S184 **174**

Z050106-B **234**
 Z050106-BR **234**
 S187 **176**
 S188 **176**
 S189 **199**
 S190 **199**
 S191 **197**
 S192 **197**
 S193 **198**
 S194 **198**
 S195 **196**
 S196 **196**
 S197 **150**
 S198 **150**
 S199 **150**
 S200 **150**
 S201 **150**
 S202 **150**
 S203 **150**
 S204 **180**
 S205 **180**
 S206 **180**
 S207 **180**
 S208 **180**
 S209 **181**
 S210 **181**
 S211 **181**
 S212 **181**
 S213 **181**
 S214 **226**
 S215 **226**
 S216 **228**
 S217 **228**
 S218 **228**
 S219 **228**
 HNCMB **212**
 LNS 20 183 **174**
 LNS197 **150**
 LNS202 **150**
 RFL B 158 **244**
 RFL B 181 **174**
 RFL B 185 **174**
 RFL G 154 **232**
 RFL G 181 **174**
 RFL G 185 **176**
 RFL125-BL **212**
 RFL125-G **212**
 RFL125-WH **212**
 RFL126-BL **213**
 RFL126-G **213**
 RFL126-WH **213**
 RFLG204 **180**
 RFLG209 **181**
 RFLNB204 **180**
 RFLNB209 **181**
 RING G **164**
 TRMLS204 **180**
 TRMLS209 **181**

S185 **176**
 S186 **176**
 Z10103 BTR-B **195**
 Z10103 BTR-W **195**
 Z10105 TR-B **217**
 Z10105 TR-W **217**
 Z10105-AD **216**
 Z10105-D9 **216**
 Z11105 TR-B **216**
 Z11105 TR-W **216**
 Z12107K-B **234**
 Z12107K-W **234**
 Z65105NT-BB **162**
 Z65105NT-G **162**
 Z65644T-B **162**
 Z65644T-W **162**
 LS01 **272**
 LS02 **272**
 LS03 **272**
 LS04 **272**
 LS05 **270**
 LS06 **271**
 LS07 **271**
 LS08 **273**
 LS09 **273**
 LS12 **270**
 LS14 **273**
 LS15 **273**
 LS16 **273**
 LS17 **268**
 LS18 **268**
 LS19 **268**
 LS20 **268**
 LS21 **268**
 LS22 **268**
 LS23 **268**
 LS24 **268**
 LS25 **268**
 LS26 **268**
 LS27 **268**
 LS28 **268**
 LS29 **269**
 LS31 **269**
 LS32 **269**
 ALMLS14-15 **273**
 ALMLS08-09 **273**
 ECLS08-09 **273**
 ECLS14-15 **273**
 FCLS14-15 **273**
 FPLS14-15 **273**
 4052899583603 **278**
 4052899583627 **278**
 4052899583641 **278**
 4052899541153 **278**
 4052899541191 **278**
 4052899541757 **278**
 4052899541795 **278**
 4052899541771 **278**

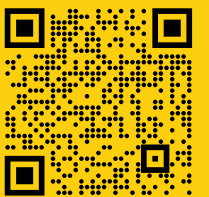
4052899541818 **278**
 4052899605763 **278**
 4052899605787 **278**
 4052899465916 **275**
 28003210 **278**
 87500283 **277**
 87500284 **277**
 89800255 **277**
 89800256 **277**
 89800257 **277**
 4052899548190 **191**
 4052899552906 **278**
 4052899557833 **276**
 4052899557949 **276**
 4052899605503 **274**
 4052899605527 **274**
 4052899605541 **274**
 4052899605565 **274**
 4062172007559 **278**
 4062172151252 **171**
 4062172166010 **276**
 4062172274340 **275**
 4062172274364 **275**
 4062172274388 **275**
 4062172329767 **275**
 4062172333467 **274**
 D-DALI20 **184**
 D-EG-5 **180**
 D-EG-9 **181**
 D-EG-10 **226**
 D-iT FIT20 **184**
 D-iT FIT7 **205**
 D-KE-9 **181**
 D-KE-10 **226**
 D-OT FIT15 **186**
 D-OT FIT8 **174**
 KEDH012 **196**
 KGP-10D **278**
 KGP-10P **277**
 LS-3-700 **174**
 LS-6-150 **170**
 LS-6-1150 **180**
 LSCW350P **279**
 LSCW500P **279**
 LSCW700P **279**
 Z89100VND **276**
 Z89200VND **276**



ZAMPELIS S.A.

Greece , Attica , Keratea , Kivouri
 Postal: 19001 , P.O. box: 4791

Tel.: (+30) 22990 63518-19 | Fax: (+30) 22990 63521
 info@zambelislights.gr | zambelislights.gr



ZAMPELIS S.A.

Greece , Attica , Keratea , Kivouri

Postal: 19001 , P.O. box: 4791

Tel.: (+30) 22990 63518-19 | Fax: (+30) 22990 63521

info@zambelislights.gr | zambelislights.gr

