

loommo

STEP BEYOND



JAKA & I, d.o.o.
Podjetniško naselje Kočevje 6
1330 Kočevje



info@jaka-i.si



www.jaka-i.si

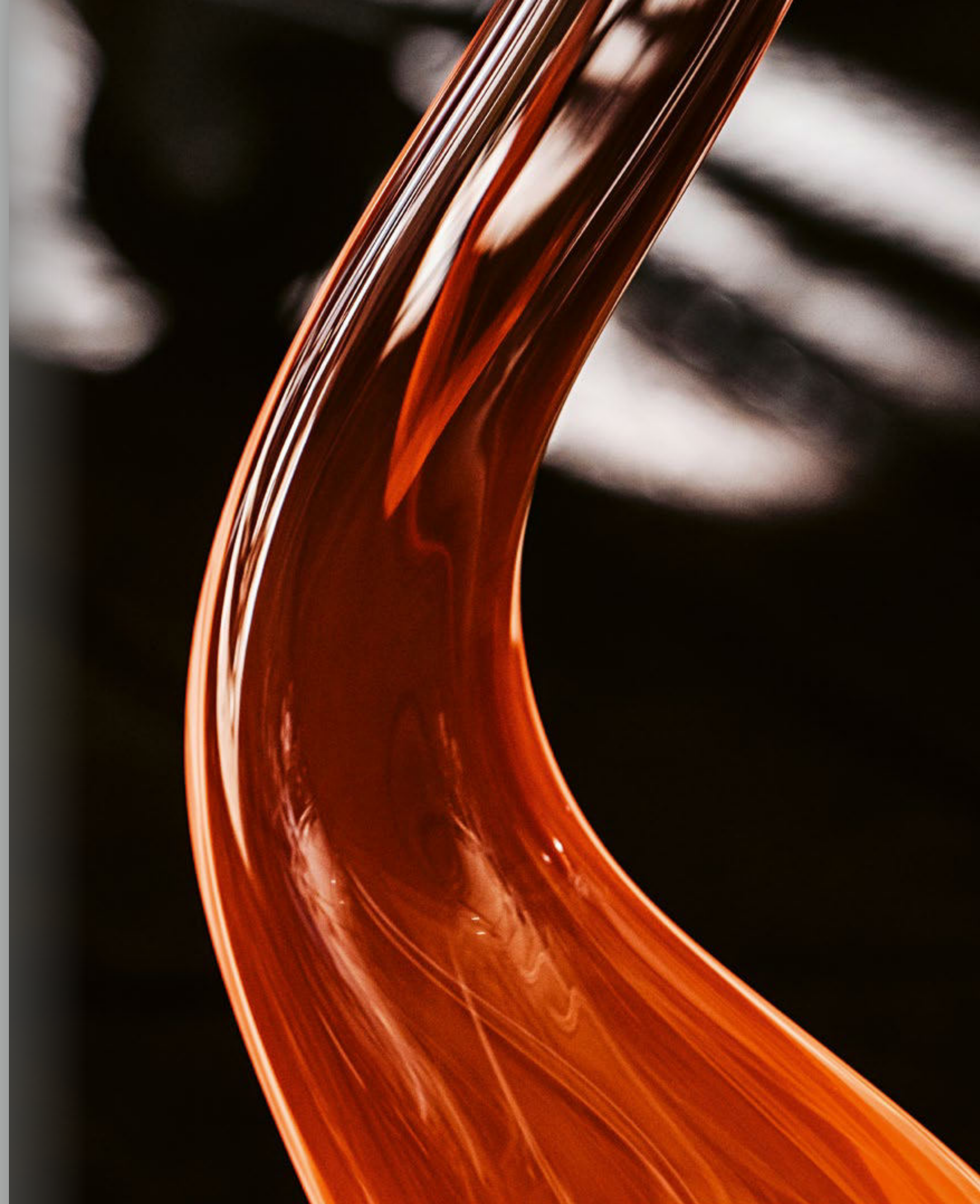




BOMMA is a progressive Czech design lighting brand that manufactures handcrafted sculptural lighting.

Each light is the result of the meticulous work of master glass-blowers and countless craftspeople.

We continually push the boundaries of glassmaking.











Some products are so physically demanding to create that only several can be produced each day.

Becoming a premier glass-blower takes years of practice and experience, with knowledge passed down from masters to apprentices.

These craftspeople are irreplaceable and are the foundation of BOMMA's artistry.





Our lighting collections combine next-level craftsmanship, original technologies, and signature design.

LIGHTING COLLECTIONS

BOMMA transforms interiors with handcrafted sculptural lighting that creates a distinct mood in each space—from eye-catching centerpieces and installations to soft ambient light.

Explore two new BOMMA crystal lighting collections
using upcycled glass shards from our glassworks:
Fragment Line and Fragments



Fragment Line

by Studio DECHEM

From Fraction to Refraction

Fragment Line captures the fleeting dialogue between light and nature, where melted shards resemble clouds drifting over distant horizons. Within its textured depths lies an inner universe—rich with intricate details and hidden galaxies of light and color. Its glass surfaces shimmer like water, ever-changing with each glance. Designed as the ideal lighting solution for dining areas, work tables, or kitchen islands, *Fragment Line* embodies minimalist elegance while merging functionality seamlessly. BOMMA continually pushes the boundaries between aesthetic appeal and technical process. The collection's adjustability introduces unprecedented levels of lighting comfort—from warm white, perfect for relaxation, to cool white that enhances concentration and alertness. Light can be directed downward for efficient space illumination or onto the *Fragmentglass* plates, creating soft diffusion and adding a pleasant ambient glow.



Fragment Line





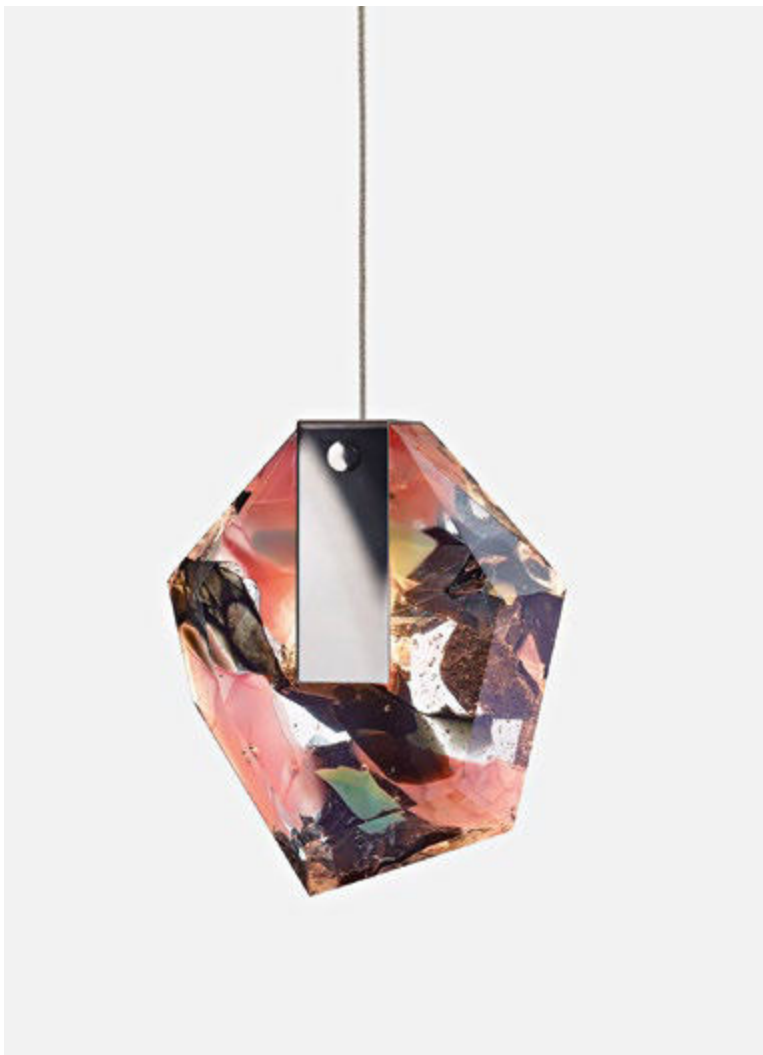


Fragments

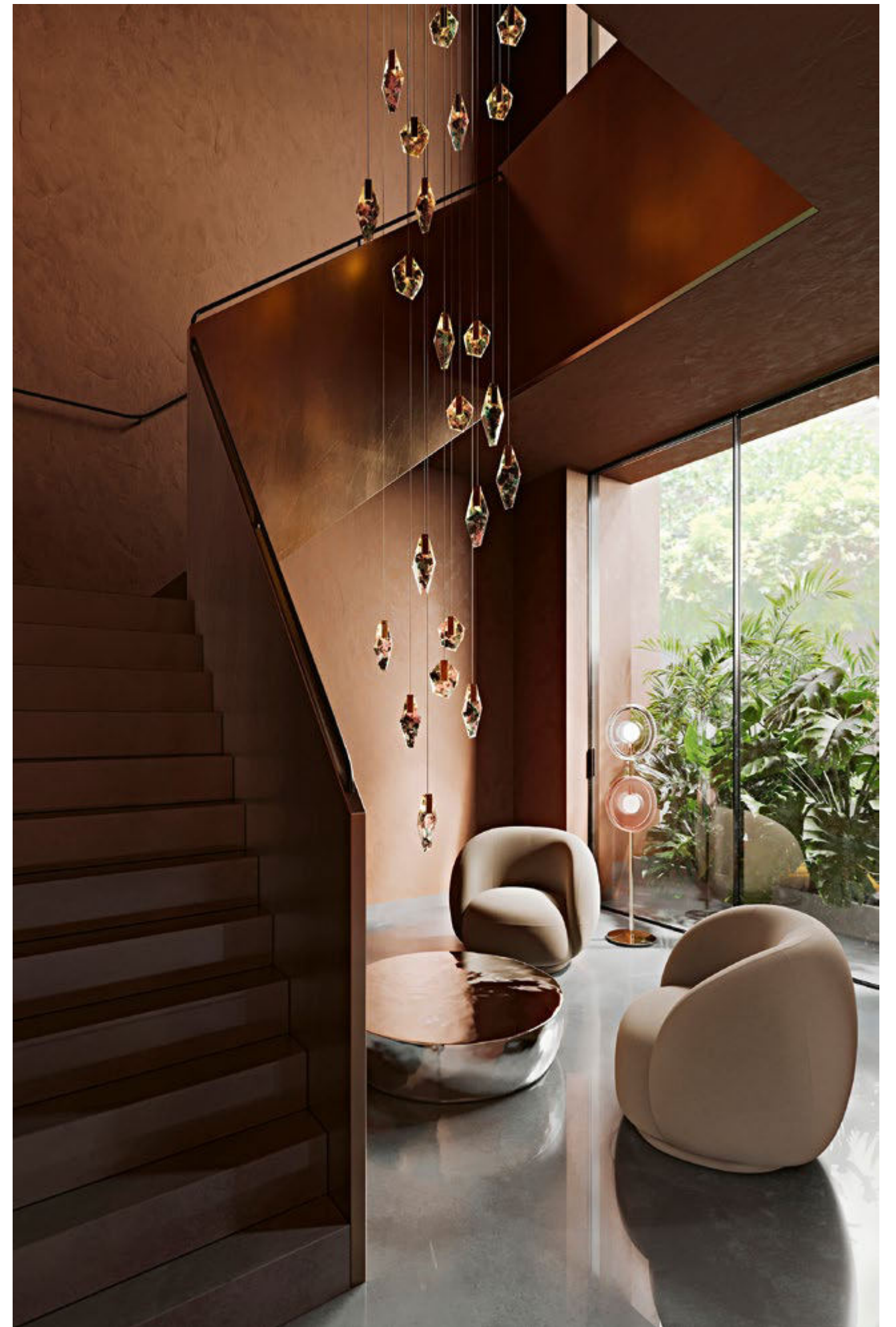
by Studio DECHEM

From Waste to Original Gemstones

The first lighting collection using *Fragmentglass*. A new glass material by BOMMA that upcycles shards of glass from previous production to give them new life. The new lighting carries BOMMA's signature combination of innovation, craft, technology and distinctive design. The shapes resemble gemstones created under pressure to reveal inner beauty. The new BOMMA *Fragments Collection* by DECHEM Studio offers lighting in two sizes – short and long, and three colors – Black, White and Flamingo Mint. Their minimalist mountings are available in brushed gold or anthracite. *Fragments Collection* enables creative groupings of components depending on available space, following the principles of BOMMA Constellations.



Fragments



Fragmentglass



BOMMA is passionate about developing advanced technologies and this includes continued efforts to reduce environmental impacts of glass manufacturing. *Fragmentglass* is an innovative new material utilizing waste shards upcycled from BOMMA's previous production. All BOMMA lighting undergoes strict quality control. Pieces with imperfections inevitably end up as glass shards, despite the many hours that glassmakers spend creating them. However, glass is a material that can be remelted and repurposed. This process inspired the designers from DECHEM Studio to create *Fragmentglass*, an unconventional material that upcycles waste shards and breathes new life into them.

Upcycled Glass Shards



32

Each *Fragmentglass* panel is carefully assembled by stacking glass shards into a melting mold following DECHEM Studio's precise recipe. The final result of each *Fragmentglass* plates carries an element of surprise as the melting process itself cannot be controlled.

Precise Arrangement of Shards



33

The development of individual colors for the panels was a complex and lengthy process. The designers continuously observed and evaluated how the pattern and structure of the shards arranged in the glass furnace appeared after melting. After many trials, Studio DECHEM perfected three colors that can be beautifully combined in lighting designs or stand alone as visually strong elements.

Curated Colors by Studio DECHEM



Each piece is designed with subtle shapes that allow the unique glass panels to take center stage. The new collection carries BOMMA's signature combination of innovation, craft, technology and distinctive design. The shapes resemble gemstones created under pressure to reveal inner beauty.

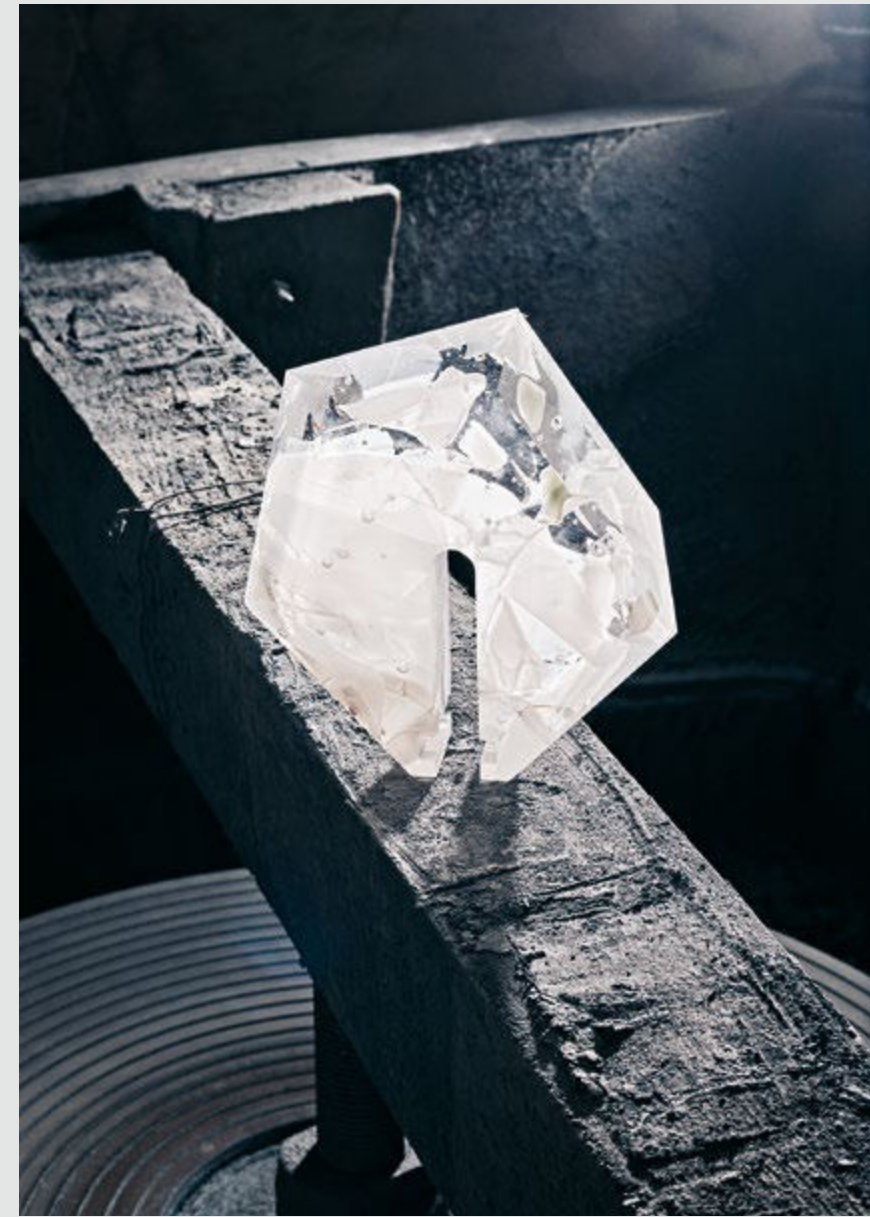
The first lighting collection using
Fragmentglass



36

The resulting *Fragmentglass* is created in three color variations - mysterious Black, stormy white-gray White, and delicate Flamingo Mint. The final appearance is the result of creative randomness, since it is not possible to control the process inside the furnace while melting.

Melted *Fragmentglass* Panel



37

Each piece is first cut from the *Fragmentglass* panel and then meticulously hand-finished by a master glass cutter.

Hand-Cut Crystal Lighting



Elements such as bubbles or bits of iron, which would otherwise depreciate premium glass production, enliven the texture during the melting process in the furnace. In this case, these are aesthetically desirable details, making each panel a unique original. Each light from the *Fragments* and *Fragment Line* Collections is crafted through a meticulous manufacturing and assembly process.

38

From Waste to Original Gemstones



39



Ama

by Václav Mlynář

Pearls from the Depth of the Sea

The name of this collection refers to the Japanese female pearl divers, called Ama. The *Ama Collection* visually evokes the delicate shells of mussels that produce treasured pearls. Ama is formed by a stylized cut-crystal shell, protecting a light source. Each glass shell is produced by using a special glassmaking technique of glass fusing. Over the course of two days, the glass is heated and gradually settles by its own weight into a prepared conical mold. Ama lighting comes in both opened and closed versions that work beautifully as individual pieces or natural groupings into mussel clusters

Automatic Mills, Czechia



Hotel Glar, Poland
Interior by NOKE Architects

Ama

Courtyard by Marriott, Armenia
Interior by Studio SHOO





Blimp

by Big-Game Studio

The Unbearable Lightness of Glass

This stunning and massive crystal cloud floats in space with the lightness of a zeppelin. Blimp is the largest lighting piece our master glassmakers are capable of creating by hand. Blowing into a metal form produces a graceful giant that is a testimony to human ingenuity and top-level craftsmanship. Although this creation is a dominant element in any interior, the clear version feels both light and airy. Its honey-golden version then fills the interior with a pleasant ambient light. The *Blimp Collection* is the result of BOMMA's first international collaboration with a team of Swiss designers who masterminded it upon their first experience with designing glass. The success of this double premier exceeded all expectations.

Light + Building Fair 2024, Germany



Blimp





Buoy

by Václav Mlynář

A Private Harbor Shining Day and Night

Buoys mark safe zones and harbors with light – a sure guide for completing successful journeys. BOMMA Creative Director Václav Mlynář found inspiration in the symbolism and shape of buoys, designing lights that create a private harbor in your interior. “The Buoy Collection seeks a balance between sculpture and product design,” he explains. *This lighting combines classic geometric shapes, an unusual light source and monumental hand-blown crystal elements.* The design pays homage to early BOMMA collections featuring geometric forms.

Automatic Mills, Czechia



Buoy



Cassina Aoyama Showroom, Japan
in Cooperation with Studio NOI





Dark and Bright Star

by Studio DECHEM

The Endless Duel of Light and Darkness

Like distant stars, these seemingly small lighted objects dazzle with both their design and craftsmanship. The light source is nestled within a mouth-blown piece, radiating from the center of a precisely cut crystal star. This BOMMA collection stands out by blending seemingly incompatible contrasts—light and darkness—in an exact vision of the creator. It marries the irregularity of traditional hand production with the luster of crystal and a smooth matte finish. These individual light fixtures can be arranged as desired, allowing for the creation of unique clusters. The *Dark & Bright Star* is impressive as a solitaire but achieves even greater impact when formed into constellations.

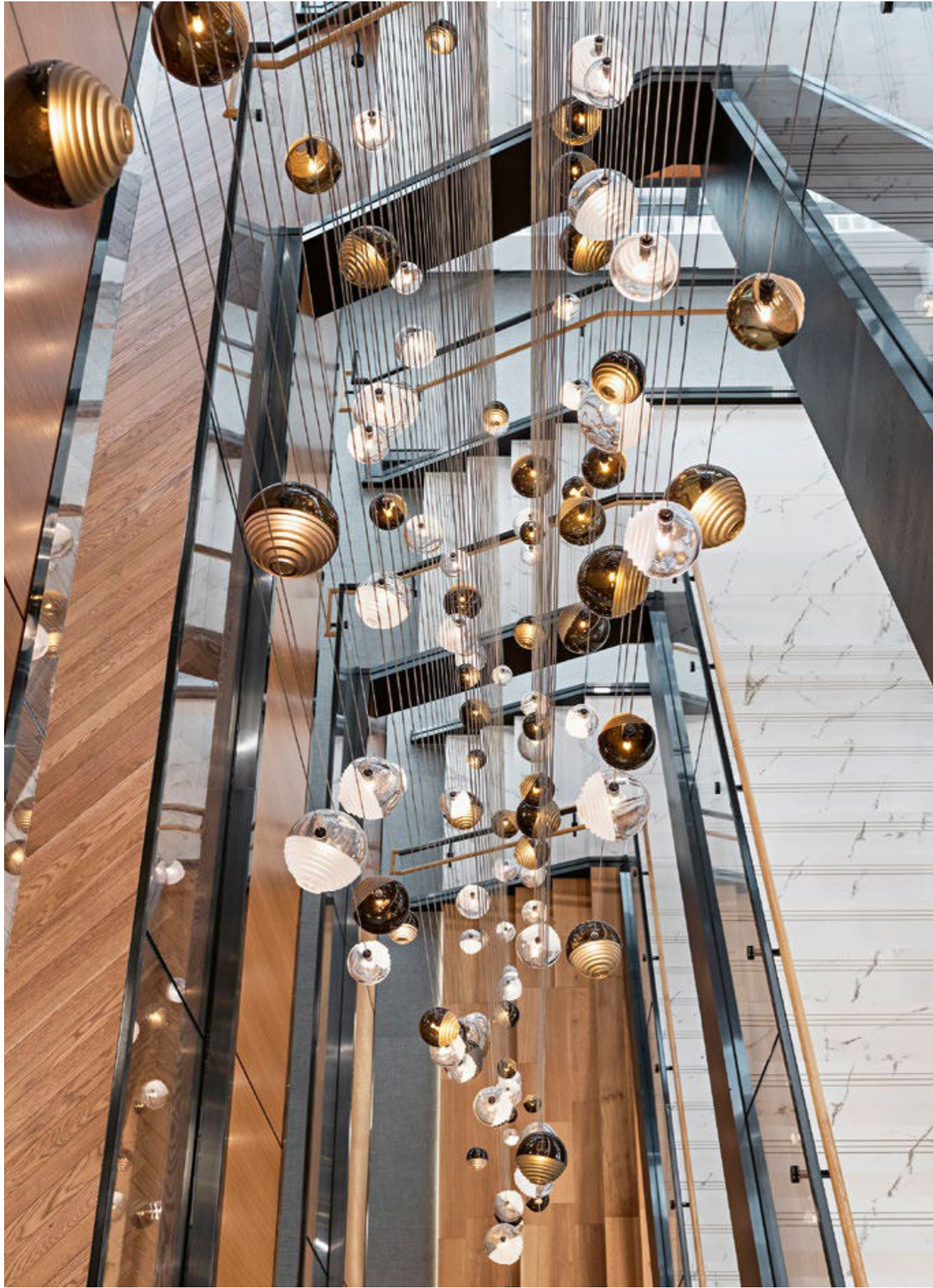
Tomas Bata Memorial, Czechia



Sabai Luxury Residence, Cyprus
Interior by Ksenija Lazarevica, Xena Interior



Dark & Bright Star



GMO Headquarters, USA
Interior by Windward Engineers



Dew Drops by Boris Klimek

Nature's Gems on Blades of Grass

Dew drops sparkling on a thin blade of grass expose the elemental beauty of nature that continues to fascinate us. The intimately familiar, yet still charming, shape of dew drops inspired this collection with its precise details. Lit by an internal light source offering an exceptional esthetic experience, the crystal objects show hints of iridescence. They adhere tightly to hand-sewn bands from handcrafted leather or an innovative vegan leather. The BOMMA *Dew Drops Collection* will surprise you with its variable installation possibilities and the option to create unique compositions in space. The result is always a distinct and artistic installation, the centerpiece gleaming from every angle of an interior.

Church of the Blessed Maria Restituta Kafka, Czechia



The View, Spain
Interior by Ambience Home Design

Dew Drops







Divina

by Studio DECHEM

The Light Touch of the Divine, Transformed into Distinct Colors

The *Divina Collection* emulates the timeless concept of a spherical glass body, combined with the delicate touch of color gradients, an idea used in the past by DECHEM studio. *Divina* lights are the younger siblings of the *Phenomena Collection*. Unlike *Phenomena*, the *Divina* lights are smaller and more suitable for intimate interiors. *Divina* is ideal for use above a desk or dining table, its light source located within the bottom of the cylindrical mounting body. Its refined color gradients lend it an aura of timeless dream worlds, while remaining visually striking.

Automatic Mills, Czechia



Divina

Svoboda & Williams Apartment, Czechia





Flare

by Kateřina Handlová

A Glimpse of Inner Light

The beam inside BOMMA's Flare lights its minimalist glass rods from within. This collection, designed by Kateřina Handlová, pays homage to traditional glassmaking techniques and allows architects and designers to create distinctive lighting installations for diverse spaces. The crystal rods are manually pulled, so each piece is an original with a unique swirl of light spiraling through its interior. The glassmakers pull the piece into a desired length, stretching the glass fragments across the interior of the glass rod. This creates a magical texture inside the rod, seemingly its own Universe, flaring every time a switch is flipped. The collection includes glass rods in three shapes, one perfectly straight and two bent in varying degrees. They can be infinitely combined to create custom installations.

Artistic Installation Sacred Enlightenment
in the St. Salvator Church, Czechia



Flare







Lens

Václav Mlynář & Jakub Pollág

The Perfect Optics of Pure Crystal

Light refracted through a lens is a fundamental principle of optics. Here, two lenses harmoniously encapsulate their interior source, playing a monumental symphony of lights, tone by tone. This BOMMA collection is exceptional in its design and material selections, as well as its potential to create unique lighting constellations. Thanks to our special hand-painting technique, the predefined colors of the *Lens Collection* may be additionally expanded to meet a color variation of your choice. The lighting's hypnotic design, along with the delicate detail of its canopy, ensures that the collection forms a notable and supremely elegant interior element.

Church of the Blessed Maria Restituta Kafka, Czechia



Archiproducts Showroom, Italy



Lens

Masaryčka by Zaha Hadid Architects & Jakub Cigler Architects, Czech Republic
Interior by Penta Real Estate



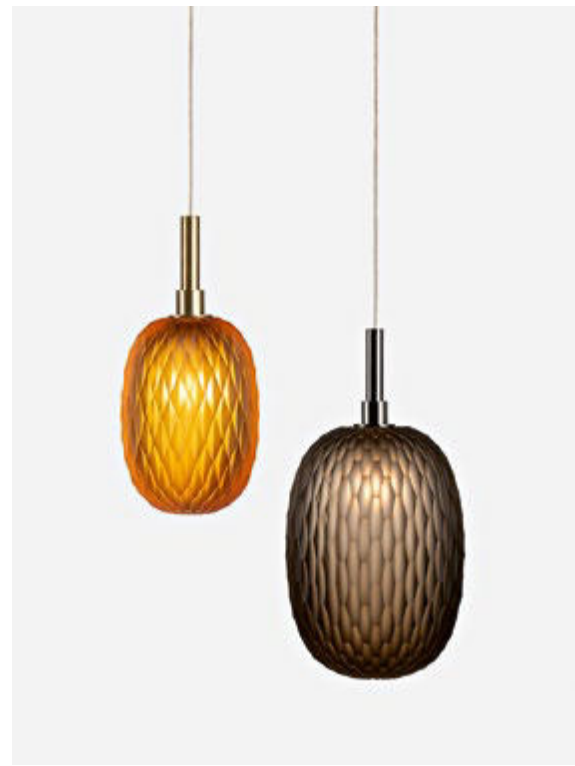


Metamorphosis by Rony Plesl

The Transformation of Crystal into a Stunning Lighted Jewelry

Metamorphosis is a transformation from one form into another. The *Metamorphosis Collection* transforms crystal into stunning lighted jewels in any interior, creating a variable grouping that enables your own composition. This collection combines the talents of sister glassmaking brands, BOMMA and Rückl – the breathtaking art of hand-cut crystal from Rückl, with BOMMA's exceptional technical solutions and light constellations.

Kunsthalle Praha, Czechia



Metamorphosis



Private Residence, France
Interior by Guilhem & Guilhem



Mussels

by Václav Mlynář

Perfect Shells Reflecting the Crystal-Clear Water Surface

Elegance, variability and an organic aesthetic define the inventive Mussels Collection designed by Václav Mlynář. Imagine sparkling waters that hide fascinating, incredibly detailed mussels. Two crystal shells surround a light source nested in a precise mounting within either glossy anthracite or brushed gold tones. A rippling, patterned imprint enhances the glass shell. When lit, the effect is that of light reflected from deep water. Apparent at first glance, its inspiration lies in organic shapes, natural colors and the natural environment. The *Mussels Collection* is available in clear, alabaster, dark pearl, smoke and pearl color.

Kunsthalle Praha, Czechia



MR Studio Showroom, USA



Mussels



Hotel Glar, Poland
interior by NOKE Architects





Orbital

Václav Mlynář & Jakub Pollág

Bravely Crossing Galactic Paths

BOMMA's *Orbital* traces paths of multicolored celestial bodies that glow with hypnotically red-hot cores. This ingenious design of mouth-blown glass lenses, held together by a metal mounting, creates a fascinating visual experience from many different angles. Our unique lighting objects in moon clear, venus pink, polaris white, and smoke lend a truly magical atmosphere to any sophisticated interior.

Crestyl Real Estate Showroom, Czechia



Orbital



Comforty Stand, Salone del Mobile, Italy

Minotti Showroom, Italy





Pebbles

by Boris Klimek

Keepsakes of Treasured Memories

Pebbles are reminders of exceptional moments or favorite places. Their diverse shapes and colors inspired BOMMA's playful collection that invites you to express your creativity. It provides options for creating distinctive combinations. Just as with stones, the crystal components of the *Pebbles Collection* are absolute originals, thanks to hand-blowing. String the colorful shapes onto its inner light source as you wish and create elegant objects that transform into artworks in any interior.

Poliform Showroom, France

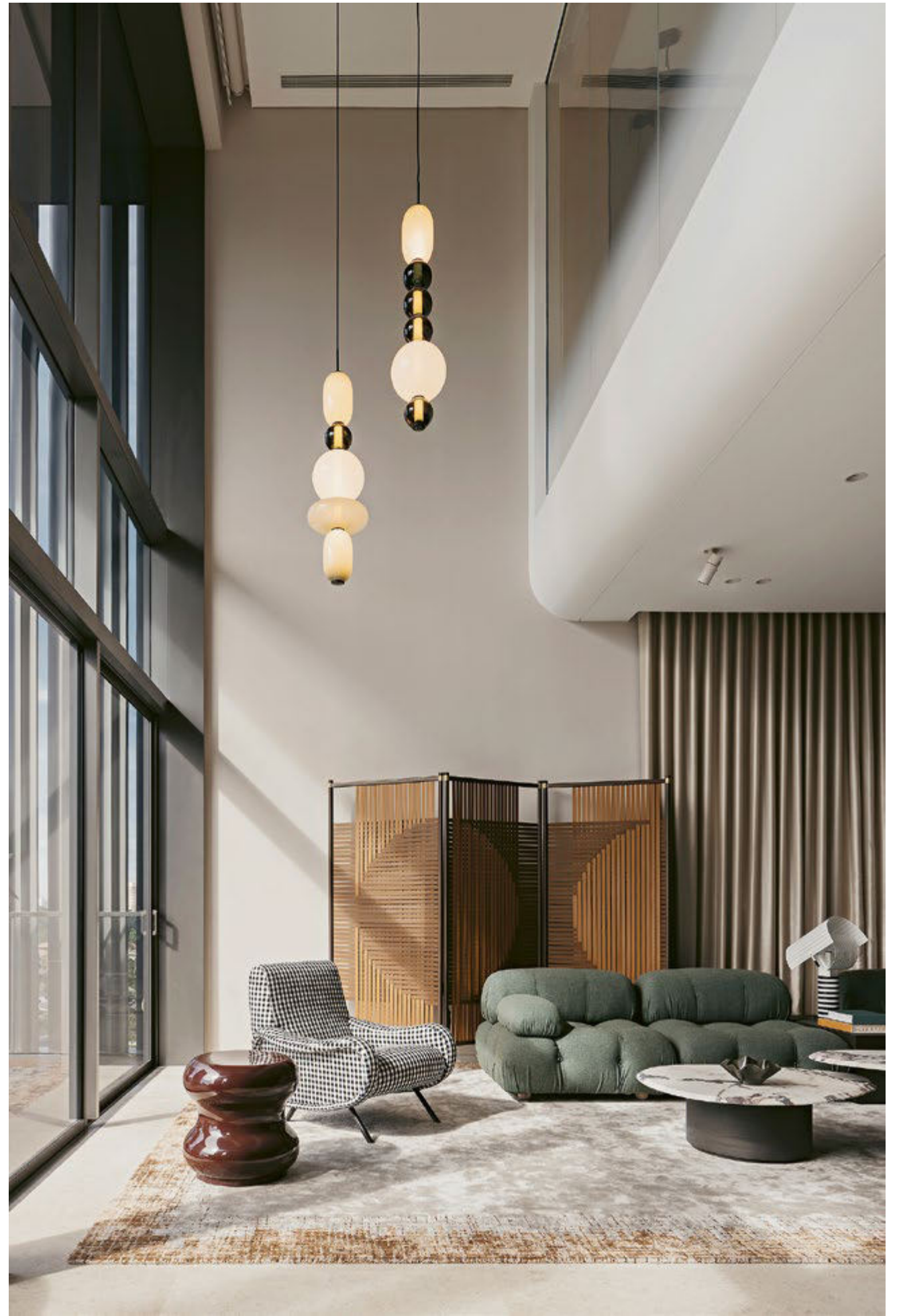


Tomáš Baťa Memorial, Czechia



Pebbles

3 Orchard By-The-Park, Singapore
Interior by Massoneong





Phenomena by Studio DECHEM

Transient Images of the Eternal

The name chosen for this BOMMA collection, inspired by basic geometric shapes, comes from the Greek word for 'appearances'. According to Plato's teachings, phenomena are mere transient images of eternal and perfect forms and thus inherently unreal. A fitting name for objects made of glass – a material that is both rigid and flexible, as well as strong, yet fragile. These lighting fixtures, in an array of fascinating sizes, are hand-blown into custom-made forms that combine both clear and colored glass. The color gradient is created by being gradually blown into the molten mass, as if breathing life into this collection. The flawlessly smooth shape of the crystal light is accented by a sophisticated polished mounting, highlighting a perfect blend of materials and aesthetics.

Tomáš Baťa Memorial, Czechia



E19 Apartment, Czechia
Interior by Malfinio

Phenomena



Boerum Hill Brooklyn Apartment, USA
Interior by BAAO Architects



Pyrite

by Studio DECHEM

The Fiery Stone from the Core of the Earth

The sculptural structures of minerals and their perfectly smooth surfaces are among the most precious treasures from the very core of the Earth, only revealing their optical magic once they encounter a source of light. This BOMMA collection was inspired by pyrite, the golden fire-stone in the shape of a perfect cube, while the silver version of the shade reflects its inspiration in salt crystals. By blowing a molten organic substance into a precise cold form, the skilled hands of our glassmakers create a unique light fixture of elemental, yet perfect shape. The gleaming surface of this hand-blown crystal cube is enclosed from three sides by a polished metal component in either silver or gold tones. The *Pyrite Collection* excels in both exceptional design and top-quality materials. Easily combined, it invites you to create your own unique lighting constellations.

Light + Building fair 2024, Germany



American Express Centurion and Platinum Lounges in Arlanda Airport, Sweden
Interior by Whyte Lilja in Cooperation with Anker&Co

Pyrite



Flanders House, Belgium
Interior by SAOTA Architects







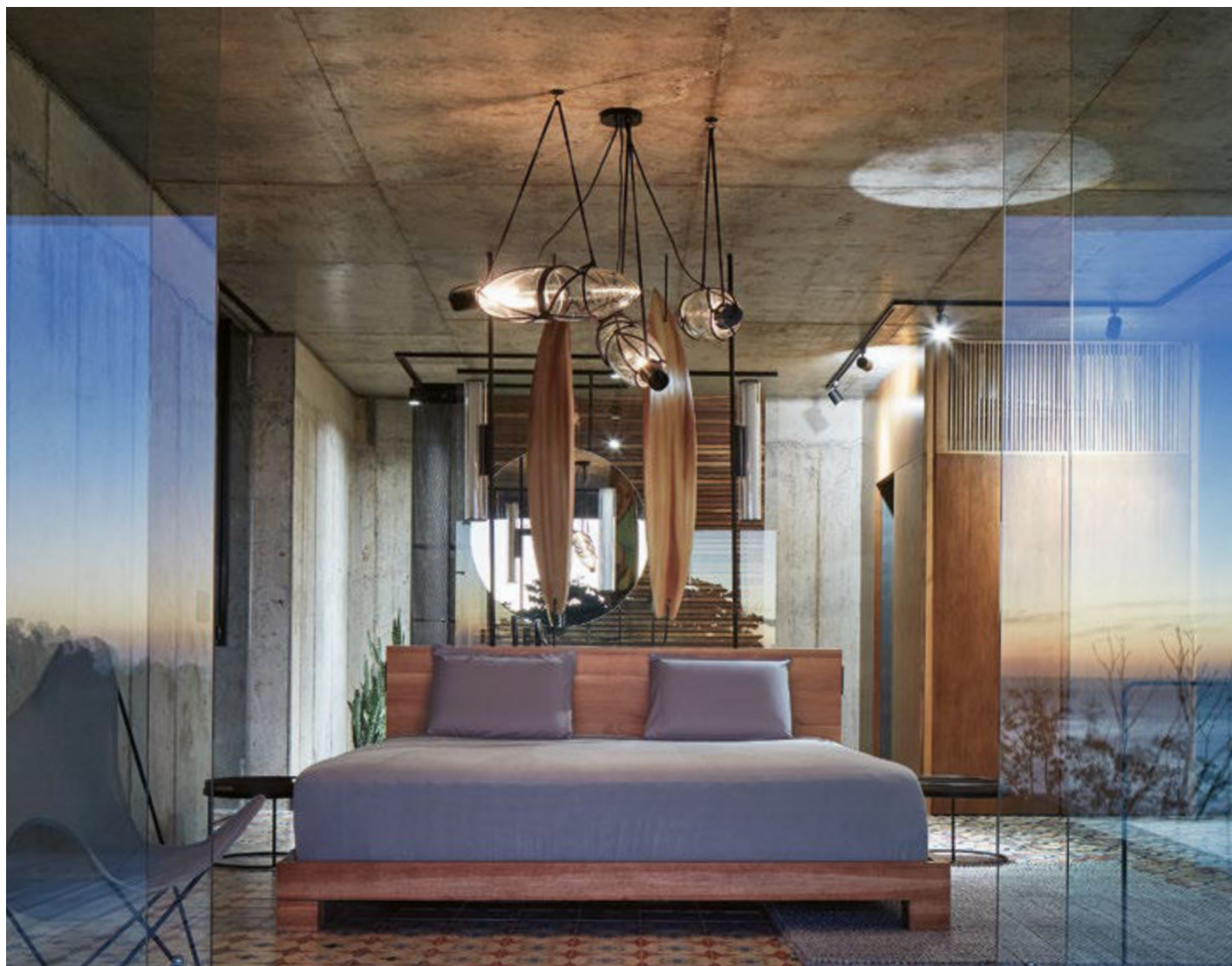
Shibari

by Kateřina Handlová

The Secret Language of Rope-Knots

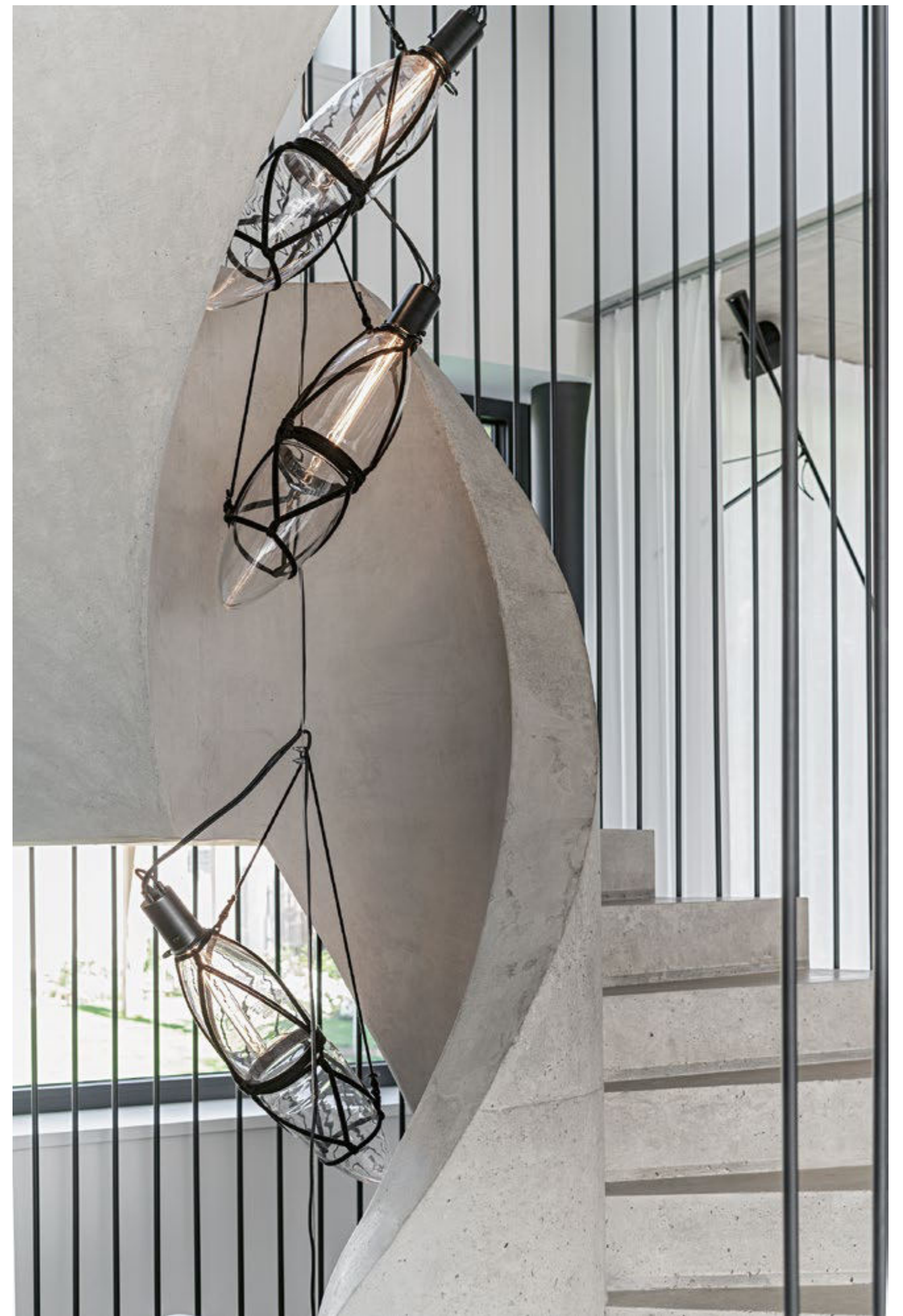
Shibari is not simply the technique of tying objects with ropes, but a method of communication within hidden systems of lines and loops. In Japanese it's called Kinbaku: the beauty of tight binding. This sophisticated collection places crystal centerpieces amidst the knots to draw our attention and create variable compositions. Thanks to BOMMA's daring design, Shibari may be considered a work of art, whether as a stand-alone piece or in a grouping that resembles a sculpture.

Tomáš Baťa Memorial, Czechia



Shibari

Art Villa, Costa Rica
Interior by Formafatal



Private Residence, Czechia
Interior by OOOOX Architects



Soap

by Ota Svoboda

The Magical Quality of Iridescence

Varied colors, transparency and continuously changing shapes – the characteristic features of soap bubbles-inspired this BOMMA collection. When lighted, the metallic sheen of its surface transforms to iridescent and translucent, exposing its crystal character. The entire collection is produced using the technique of hand-blowing without a form. The seemingly perfect droplet of molten glass is given a unique shape, as well as a unique color spectrum. Among *Soap Collection's* main advantages are the options to create impressive compositions from a larger number of individual light fixtures or combining their color schemes.

Church of the Blessed Maria Restituta Kafka, Czechia



Private Residence, Singapore
Interior by METRE Architects in Cooperation with Made and Make



Soap

Private Villa, Channel Islands
Interior by Bonsai Group





Soap Mini

by Ota Svoboda

The Magical Quality of Iridescence

Varied colors, transparency and continuously changing shapes – the characteristic features of soap bubbles – inspired this BOMMA collection. When lighted, the metallic sheen of its surface transforms to iridescent and translucent, exposing its crystal character. The entire collection is produced using the technique of hand-blowing without a form. The seemingly perfect droplet of molten glass is given a unique shape as well as a unique color spectrum. The *Soap Mini collection* allows unlimited space for your creativity, with the option to create as large groups of crystal drops as you fancy – from smaller compositions to expansive light constellations.

Nafplio Residence, Greece
Interior by Box Interiors

Ghazala Bay Villa, Egypt
Interior by Yasmina Makram



Soap Mini



Audemars Piquet Flagship Store, South Korea, Seoul
Interior by blndd.Studio



Stellar Dust

By CMC Architects,
Václav Mlynář and
Jakub Pollág

Cosmic Tapestry Carrying Light Through Space

The *Stellar Dust* lighting is composed of countless speckles that seem to float through space. This collection was originally designed for J&T bank in Prague by CMC Architects, and designers Václav Mlynář and Jakub Pollág. Its success resulted in this design being adopted for regular production, as an addition to the *BOMMA Constellations*. Both optical illusions and the remarkable effects of these crystal components perfectly juxtapose modern interiors. The neutral clear color and universal round shape add to its versatility.

As with all *BOMMA Constellations*, the magic comes from forming custom clusters of lighting components that are built upon a mathematically precise structure but create a fluid organic effect. It allows both architects and designers to equally uplift small and large spaces with flowing clouds of *Stellar Dust*.

Automatic Mills, Czechia



Lobby of J&T Bank, Czechia
Interior by CMC Architects



Stellar Dust





Tim

by Studio Olgoj Chorchoj

The Mastery of Clarity

The inspiration for this unique collection was a collaboration with the world-renowned director Tim Burton, during one of his exhibitions. The *Tim Collection* was among our earliest efforts, based on the shapes of the glass cloches covering Burton's artworks. These monumental pieces marked BOMMA's entry to the world of top-level lighting design and set us on our path. Free-blown glass without the use of a form, literally reaches the limits of this size and weight. Unique in the world-wide scale, these lights combine minimalistic design with the greatest examples of glassmaking mastery.

Tomáš Baťa Memorial, Czechia



Private Residence, Japan
Interior by Baqueratta Architectural Design Office
in Cooperation with Studio NOI

Tim

Private Residence, India
Interior by Untitled Design





Umbra

by Studio DECHEM

Without Light, There Is No Shadow

Every detail of this lighting collection embodies the relation of geometric objects and their shadows with sophisticated elegance. Its metal plate derives from the perfectly elliptical shadow cast by a crystal ball and mirrors the refined color scheme of the mouth-blown piece. BOMMA's traditional glassmaking techniques ensure that each piece from this collection is truly an original. Its combination of perfect details, elemental shapes and delicate pastel colors makes *Umbra* a true jewel for your interiors.

Tomáš Baťa Memorial, Czechia



Umbra



Apartment in Malaga, Spain
Designed by La Albaida



Beam

Beam is a purely technical light fixture designed to complement the *BOMMA Constellations* range. This range is favored by architects and interior designers for its flexibility in creating varied lighting installations. *Beam* enhances these installations by perfectly illuminating the space beneath them, thus significantly expanding their functionality. The minimalist design of *Beam*, operating on 12V and available in brushed gold and anthracite finishes, features a conical light beam with a 31° emission angle. This setup offers versatile lighting options, making *Beam* ideal for both intimate settings and spaces requiring focused illumination for concentrated work.



Objects

BOMMA's collection of crystal objects redefines contemporary glass artistry, blending exceptional craftsmanship with innovative design. Each piece, from the Metamorphosis Vase with its jewel-like geometric cuts to the ethereal Soap Vase inspired by shimmering bubbles, showcases the brand's commitment to precision and creativity. These handcrafted objects transform light and space, offering a perfect balance of elegance and modernity. Whether serving as a functional centerpiece or a sculptural statement, BOMMA's glass creations elevate interiors with their timeless beauty and artistic expression.

BOMMA Atelier, Czechia





A DISTINCT MOOD IN EACH SPACE

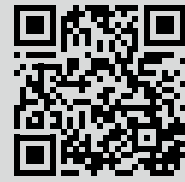
BOMMA's design philosophy achieves timeless value, with pieces that go a step beyond trends and will continue to be as breath-taking in the future, as they are today.

Ama

Glass Color
 • Clear Matte
 • Smoke
 • Bronze Matte

Mounting Finish
 • Dark Silver

p. 40-43

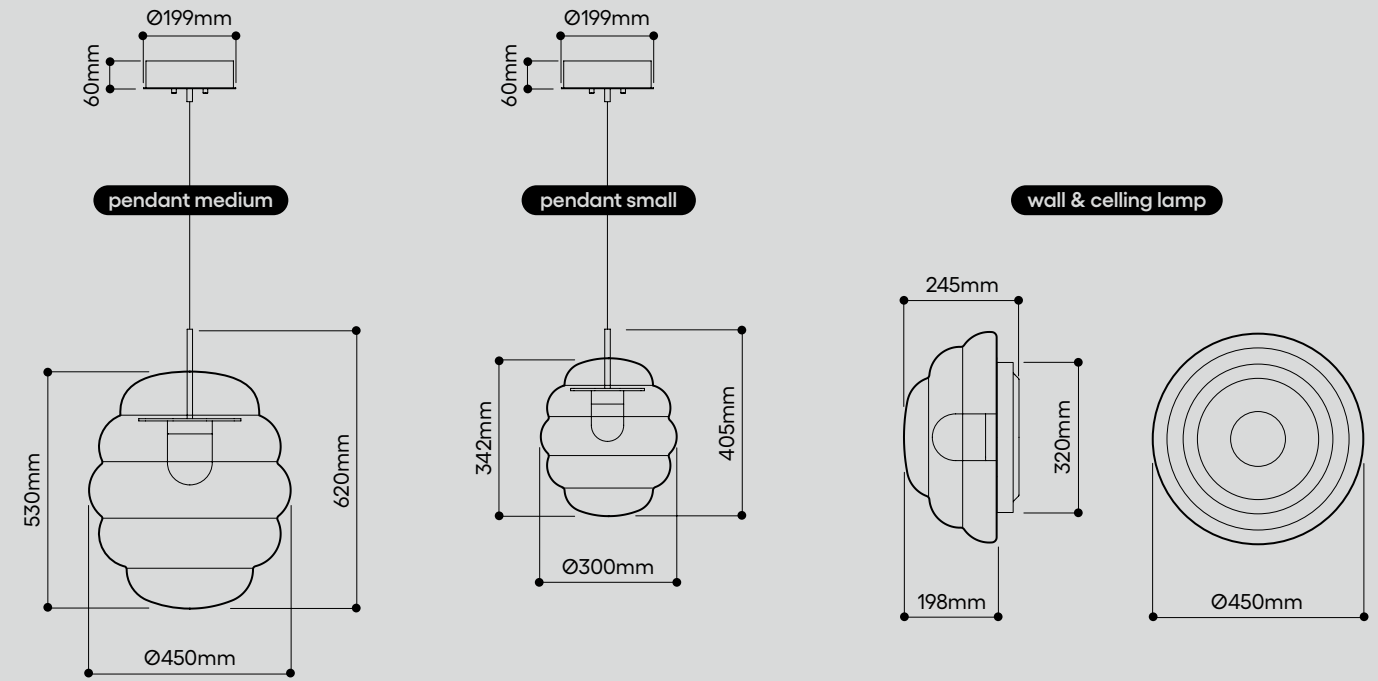
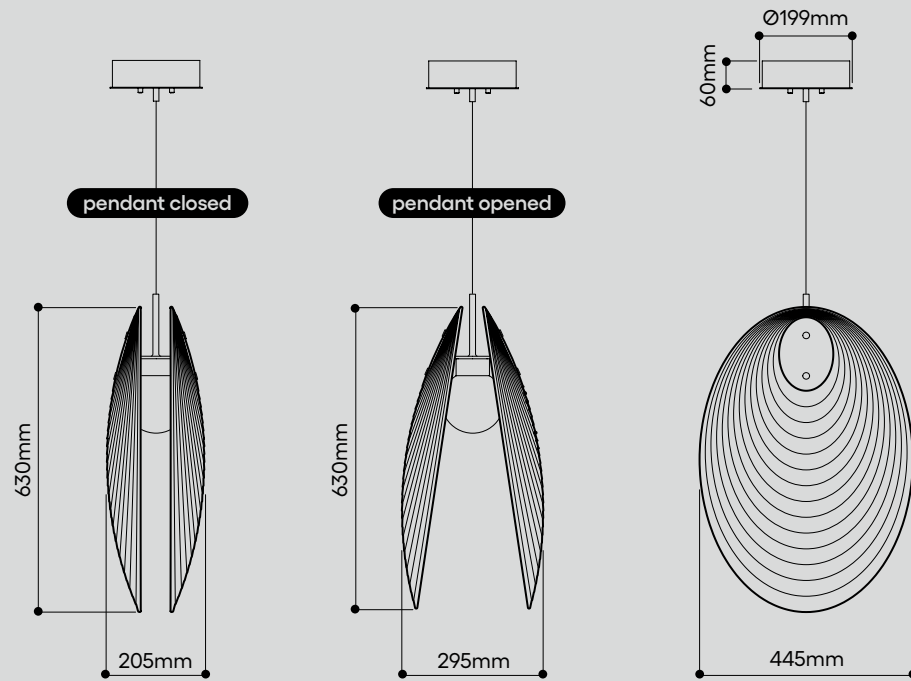
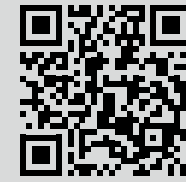


Blimp

Glass Color
 • Clear
 • Amber

Mounting Finish
 • Black

p. 44-47

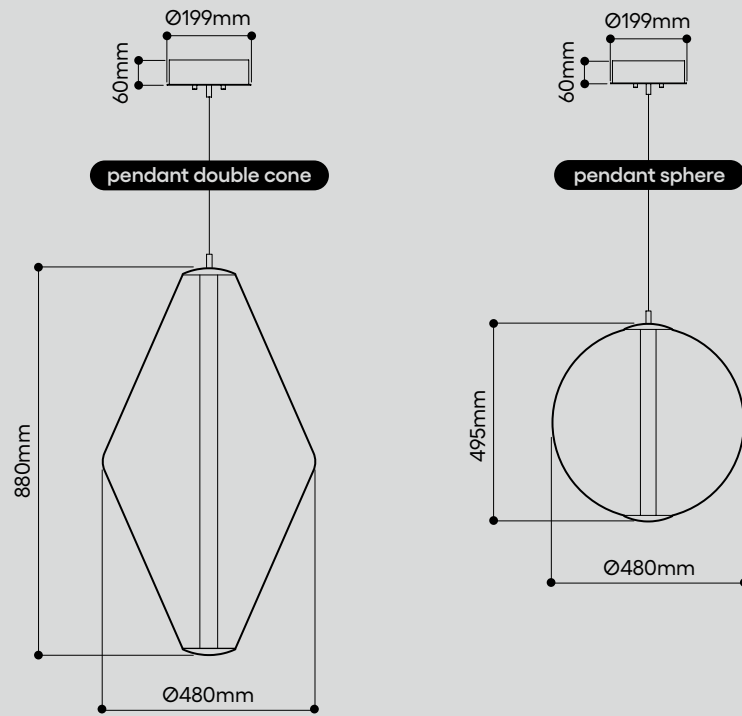


Buoy

Glass Color
 • White
 • Smoke
 • Clear

Mounting Finish
 • Silver
 • Black

p. 48-53

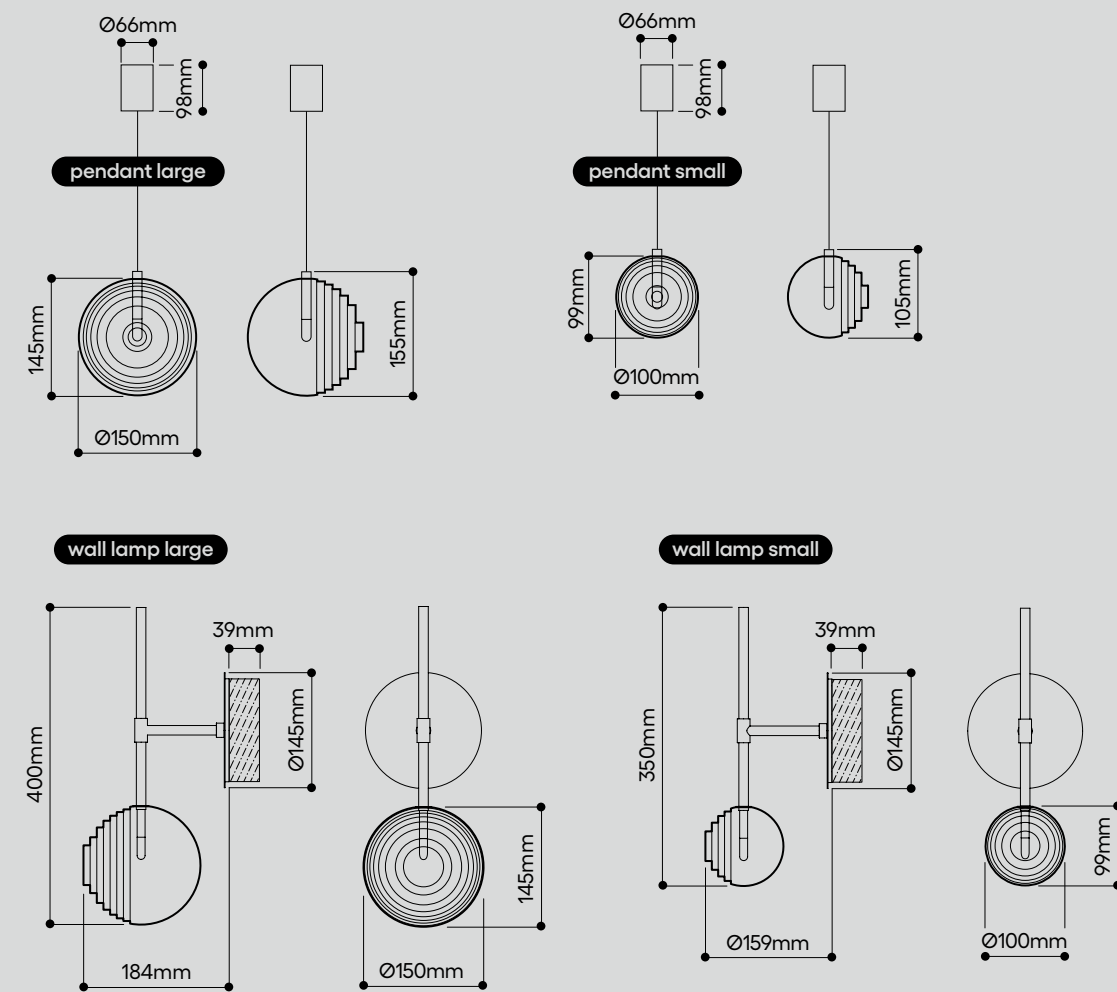


Dark & Bright Star

Glass Color
 • Cigar
 • Clear

Mounting Finish
 • Brushed Gold
 • Anthracite

p. 54-57

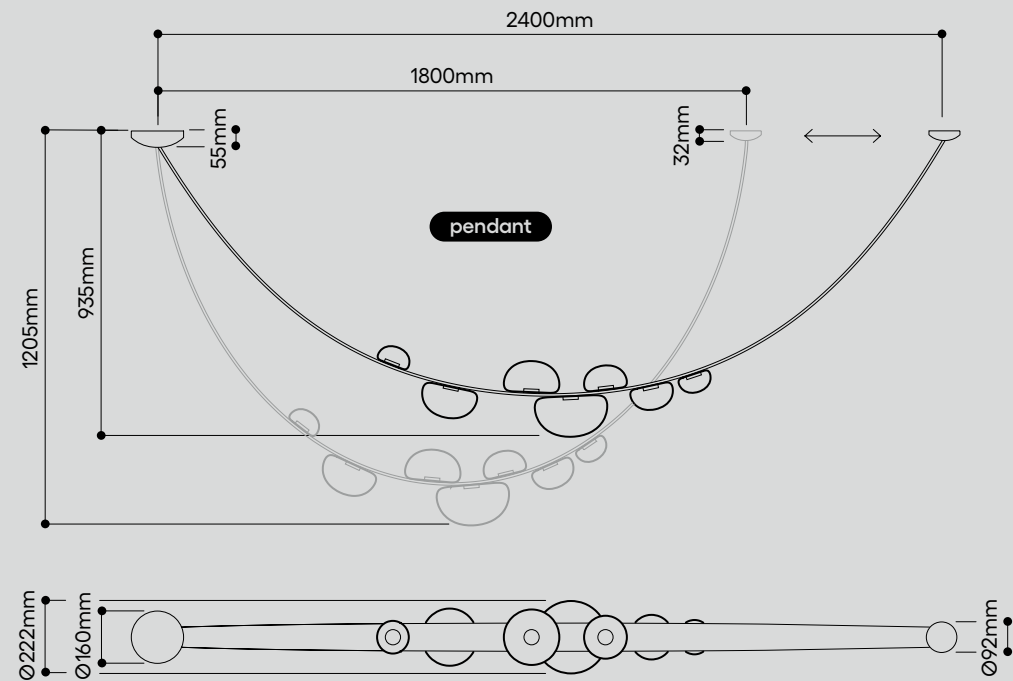
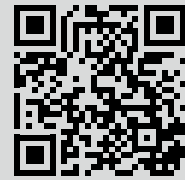


Dew Drops

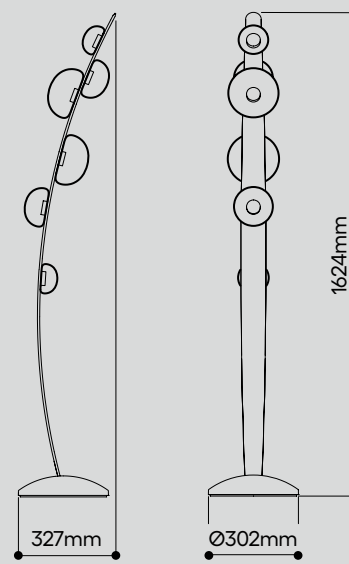
Glass Color
• Iridescent Metal Coating

Mounting Finish
• Black Vegan Leather
• Black Leather
• Customized Color of Vegan Leather

p. 58-63

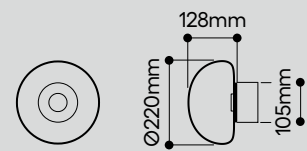


floor lamp

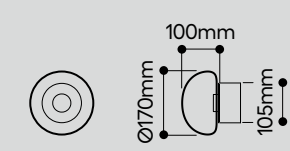


wall & ceiling lamp

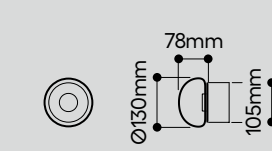
large



medium



small

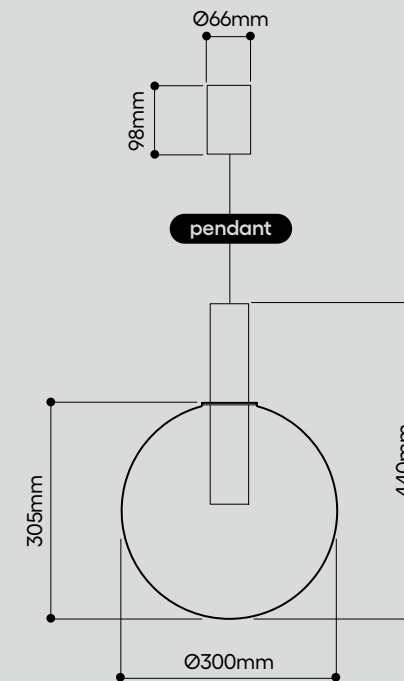
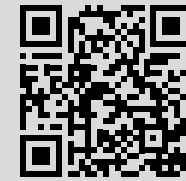


Divina

Glass Color
• Plum
• Red Orange
• Clear
• White
• Smoke

Mounting Finish
• Brushed Gold
• Brushed Silver

p. 64-67

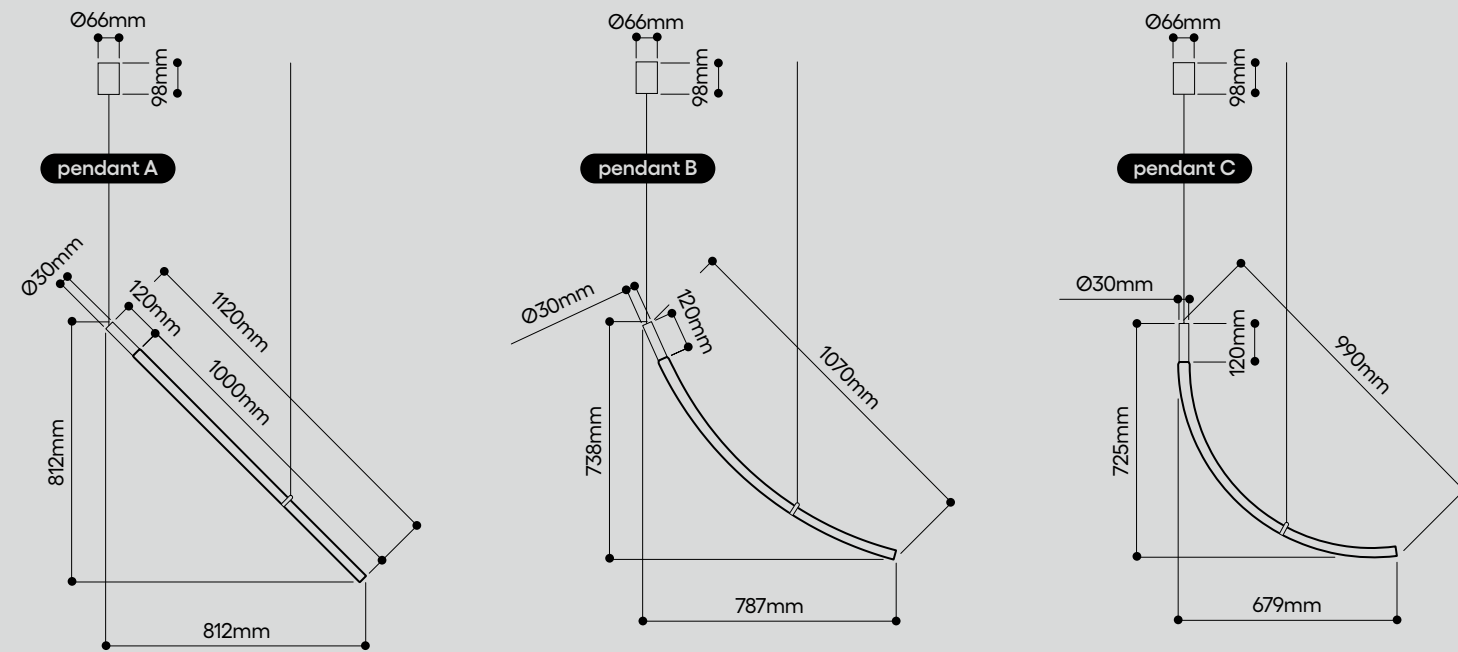
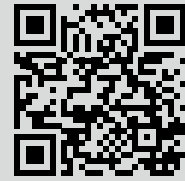


Flare

Glass Color
• Spiral White

Mounting Finish
• Brushed Gold
• Brushed Silver

p. 68-73

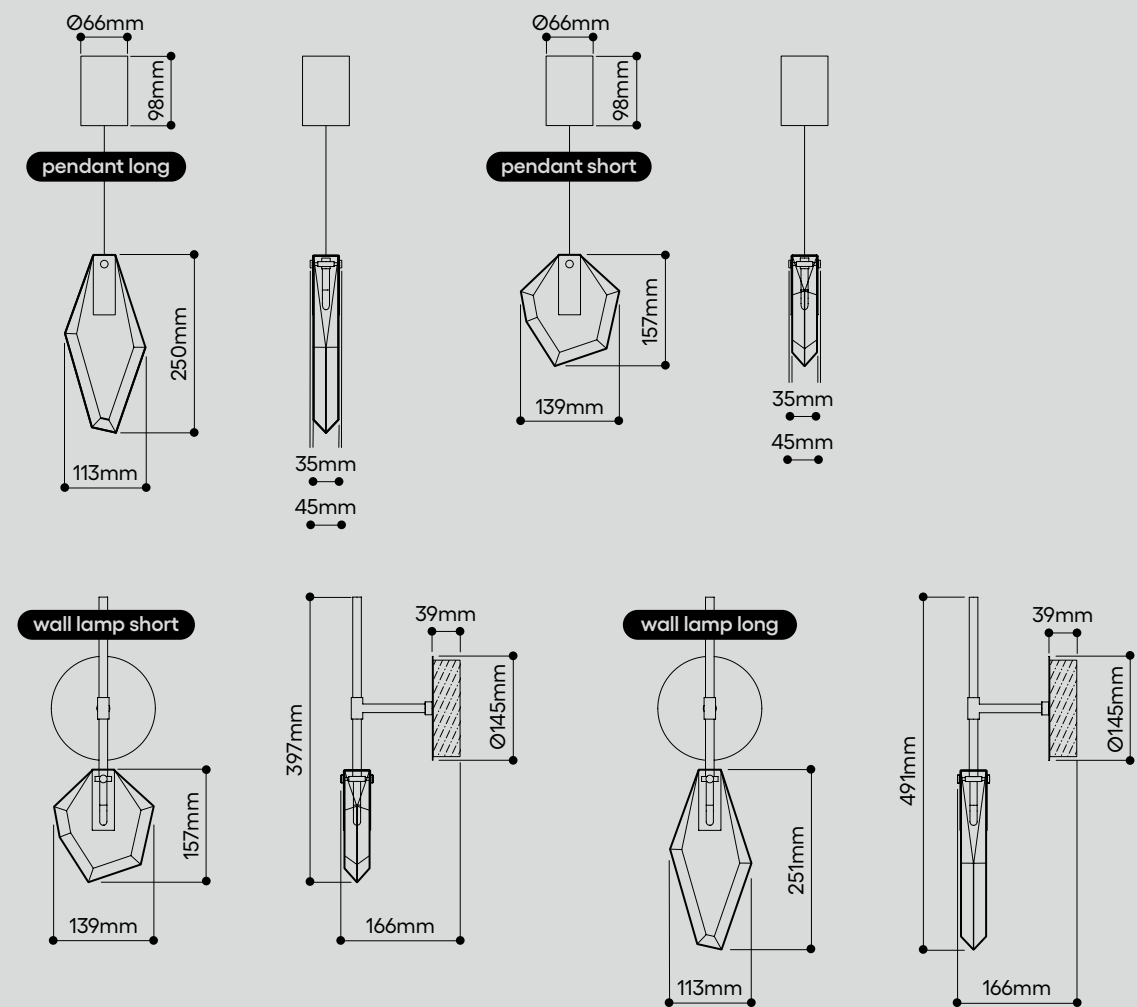
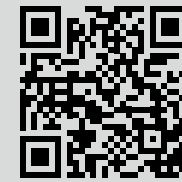


Fragments

Glass Color
• Black
• White
• Flamingo Mint

Mounting Finish
• Brushed Gold
• Anthracite

p. 26-29

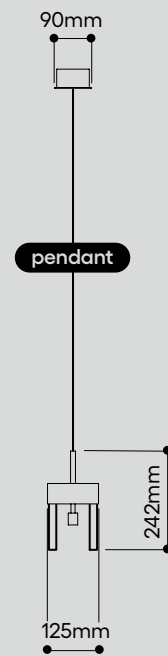
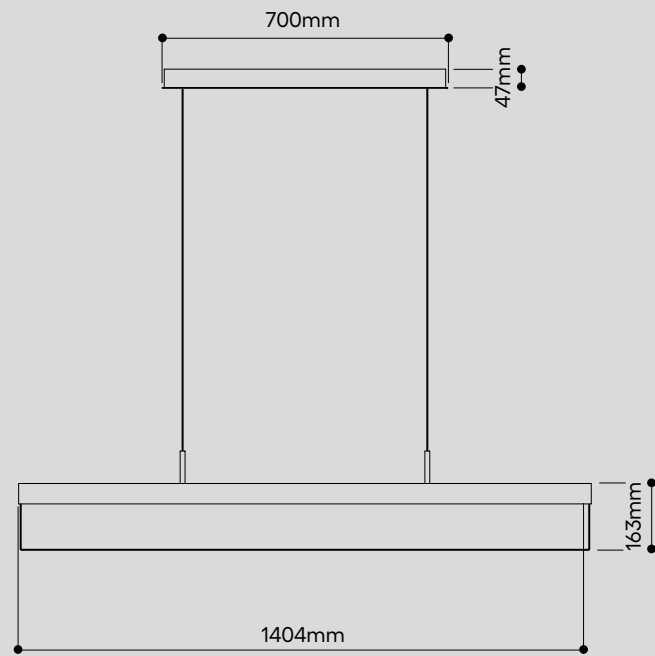


Fragment Line

Glass Color
 • White
 • Black

Mounting Finish
 • Brushed Gold
 • Brushed Silver

p. 20-25

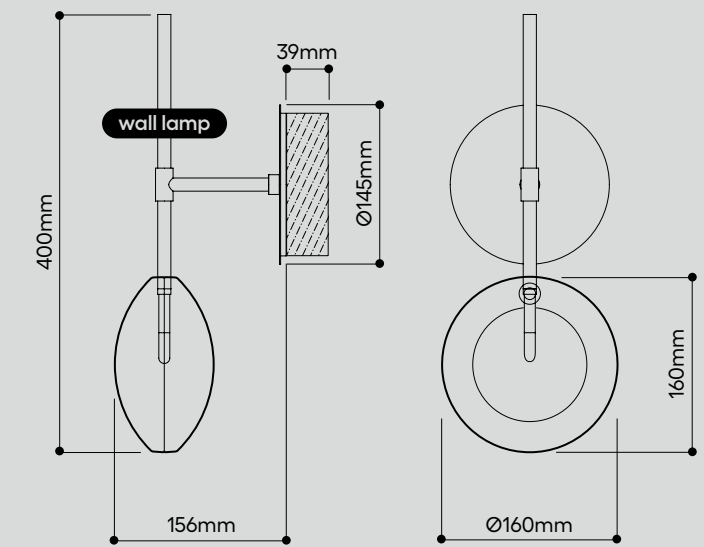
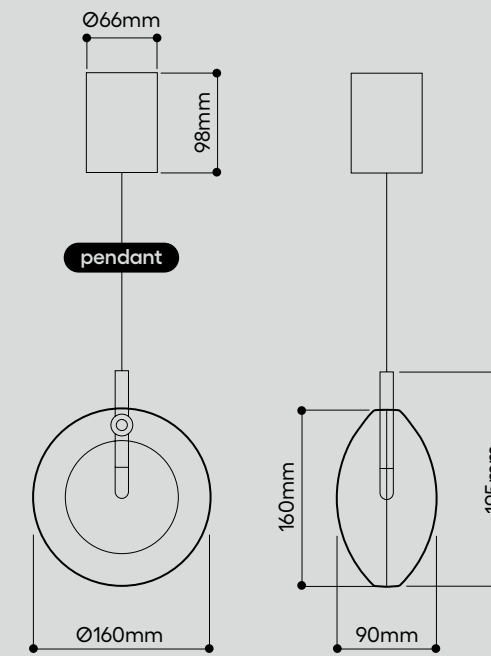
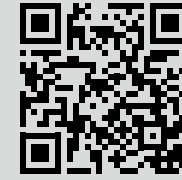


Lens

Glass Color
 • Clear
 • Smoke
 • White
 • Amber
 • Beige
 • Dark Green
 • Silver
 • Mocha Mousse

Mounting Finish
 • Brushed Gold
 • Anthracite

p. 74-77

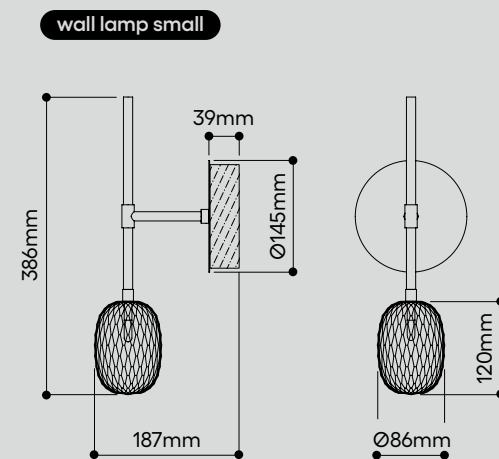
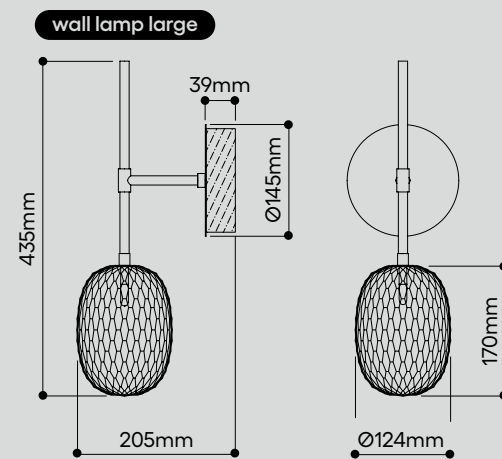
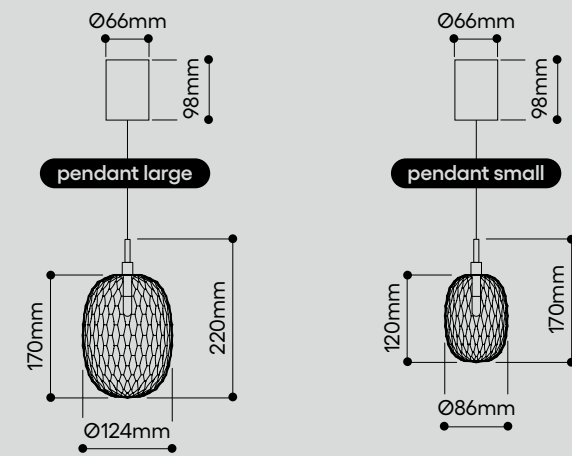


Metamorphosis

Glass Color
 • Clear
 • Cigar
 • Amber

Mounting Finish
 • Brushed Gold
 • Anthracite

p. 78-81

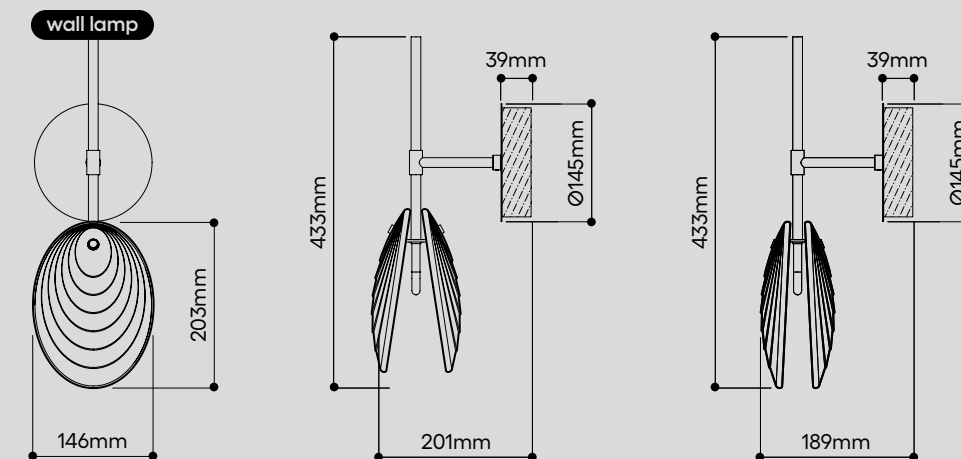
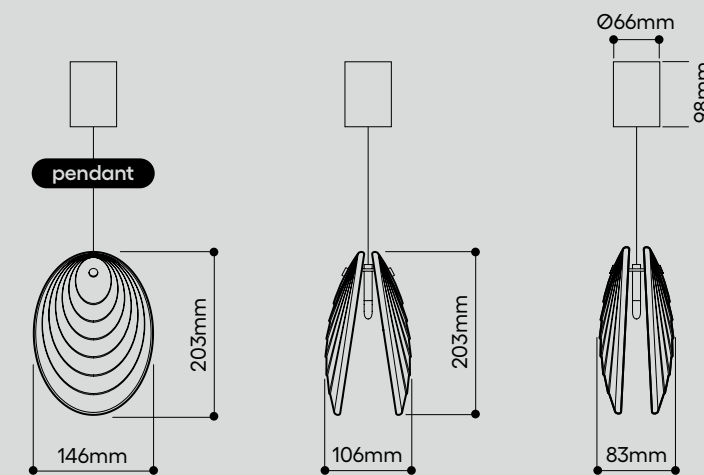
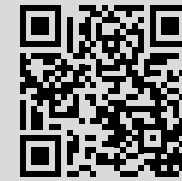


Mussels

Glass Color
 • Pearl
 • Dark Pearl
 • Clear
 • Smoke
 • Alabaster

Mounting Finish
 • Brushed Gold
 • Anthracite

p. 82-87

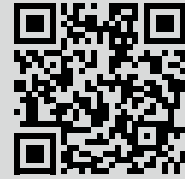


Orbital

- Glass Color
- Venus Pink
 - Smoke
 - Clear
 - Polaris White

- Mounting Finish
- Brushed Gold
 - Silver

p. 88-91

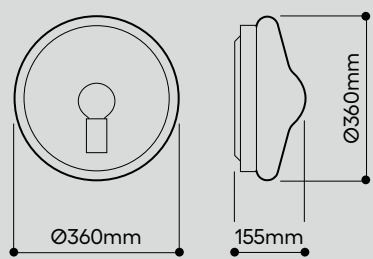
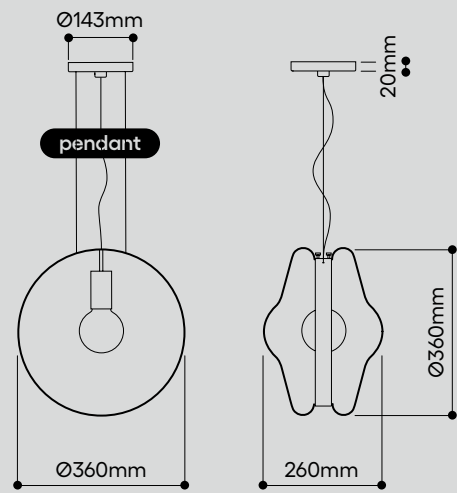
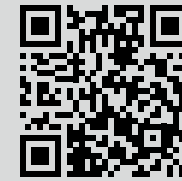


Pebbles

- Glass Color
- Black
 - Light Grey
 - White
 - Green
 - Red

- Mounting Finish
- Black

p. 92-95



wall & ceiling lamp

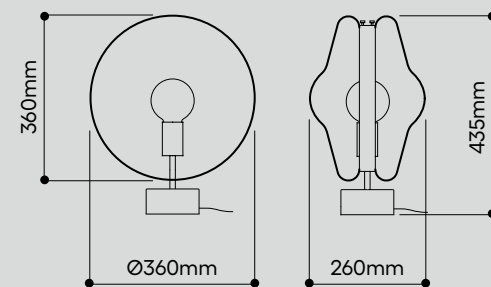
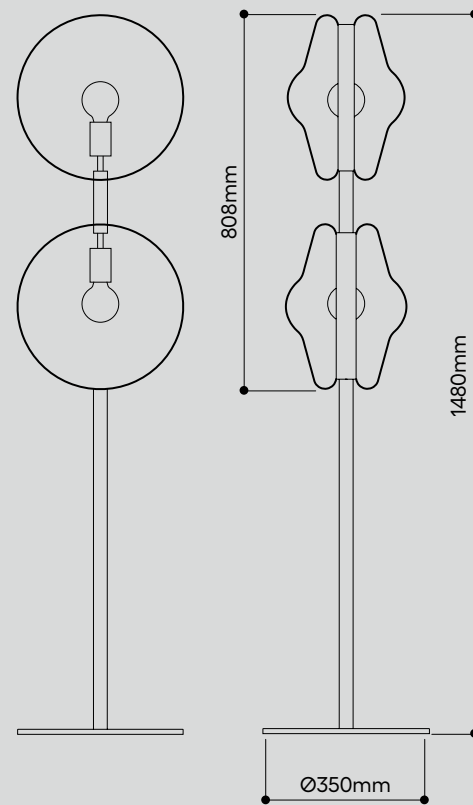
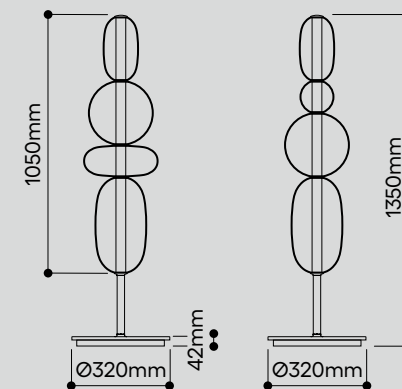
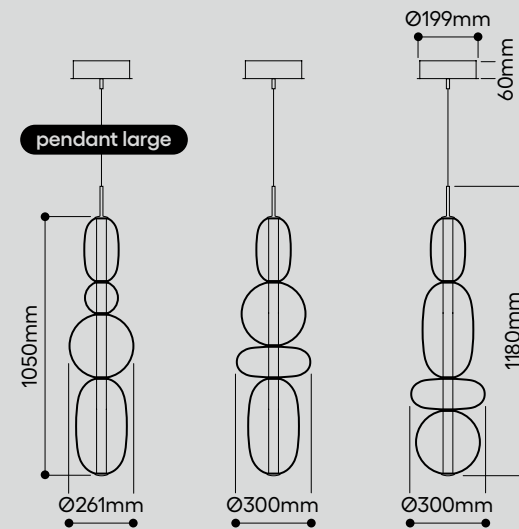


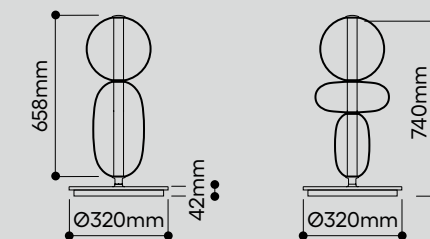
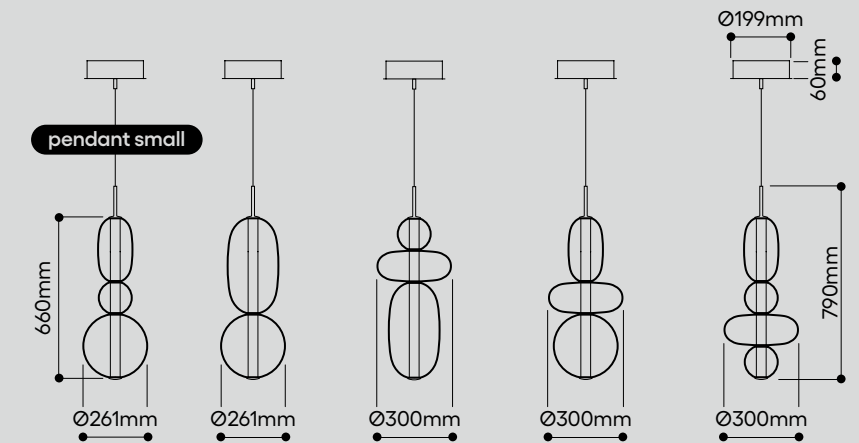
table lamp



floor lamp



floor lamp large



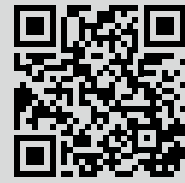
floor lamp small

Phenomena

- Glass Color
- Clear
 - Smoke
 - Flamingo Pink
 - Mint
 - Ferrari Red

- Mounting Finish
- Silver
 - Gold
 - Brushed Silver
 - Brushed Gold

p. 96-99

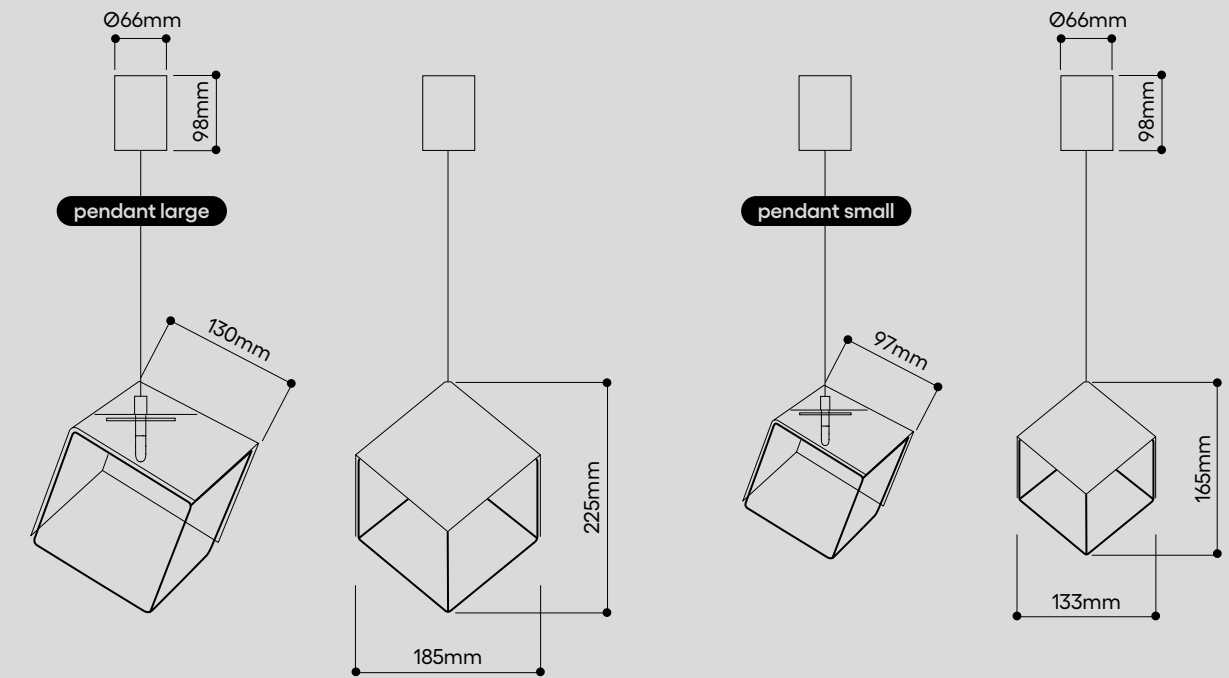
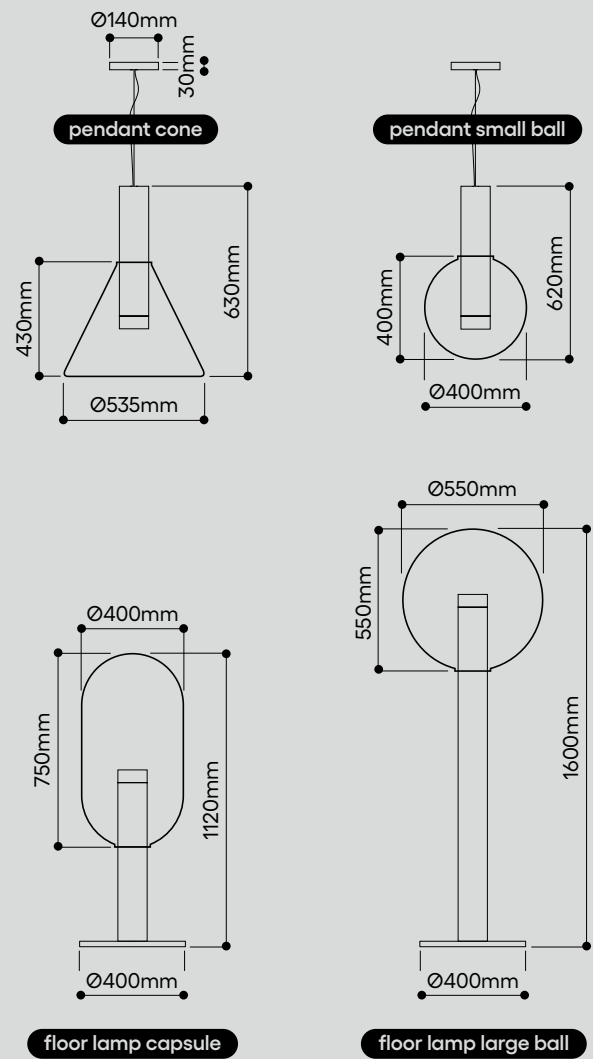


Pyrite

- Glass Color
- Clear

- Mounting Finish
- Patina Gold
 - DeOpale Brass
 - Silver
 - Gold

p. 100-105

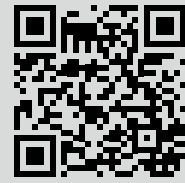


Shibari

Glass Color
• Clear

Mounting Finish
• Black

p. 106–109

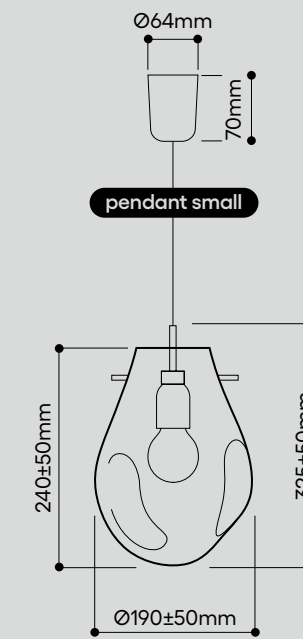
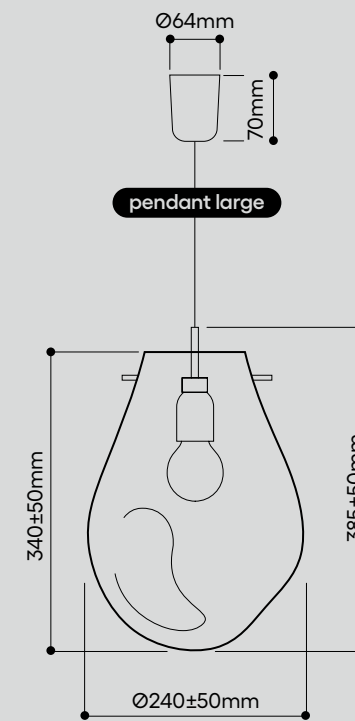
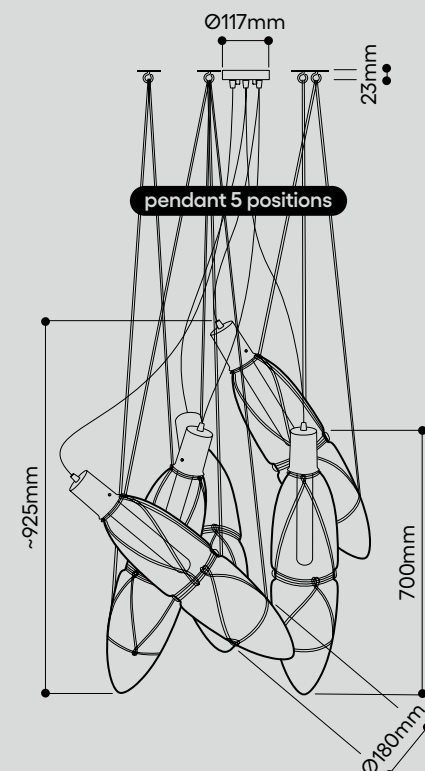
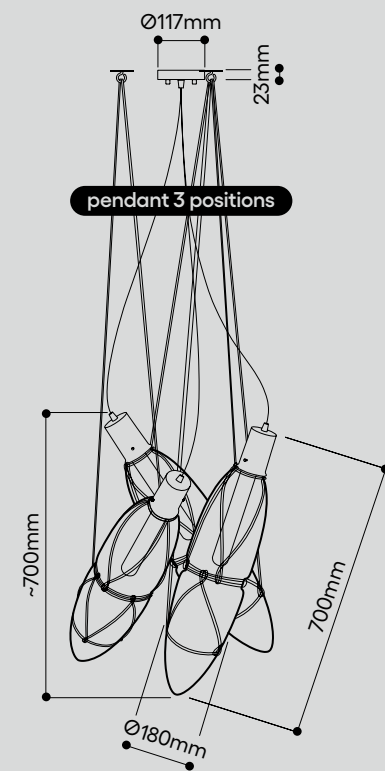
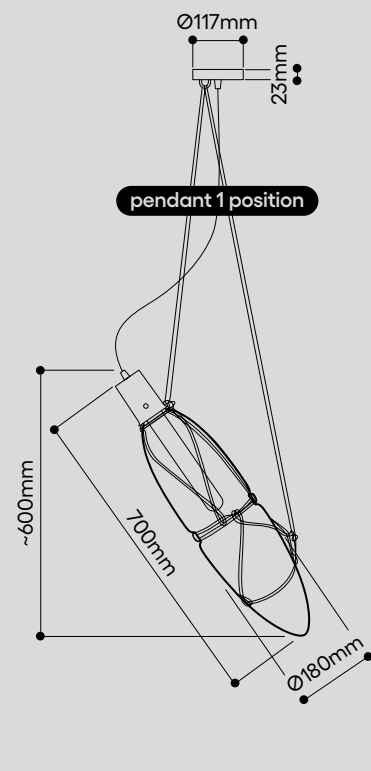
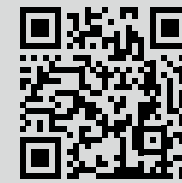


Soap

Glass Color
• Silver
• Blue
• Gold
• Clear
• Frosted
• Pearl

Mounting Finish
• Brushed Silver

p. 110–113

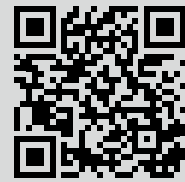


Soap Mini

- Glass Color
- Silver
 - Blue
 - Gold
 - Clear
 - Frosted
 - Pearl

- Mounting Finish
- Brushed Gold
 - Anthracite

p. 114-117

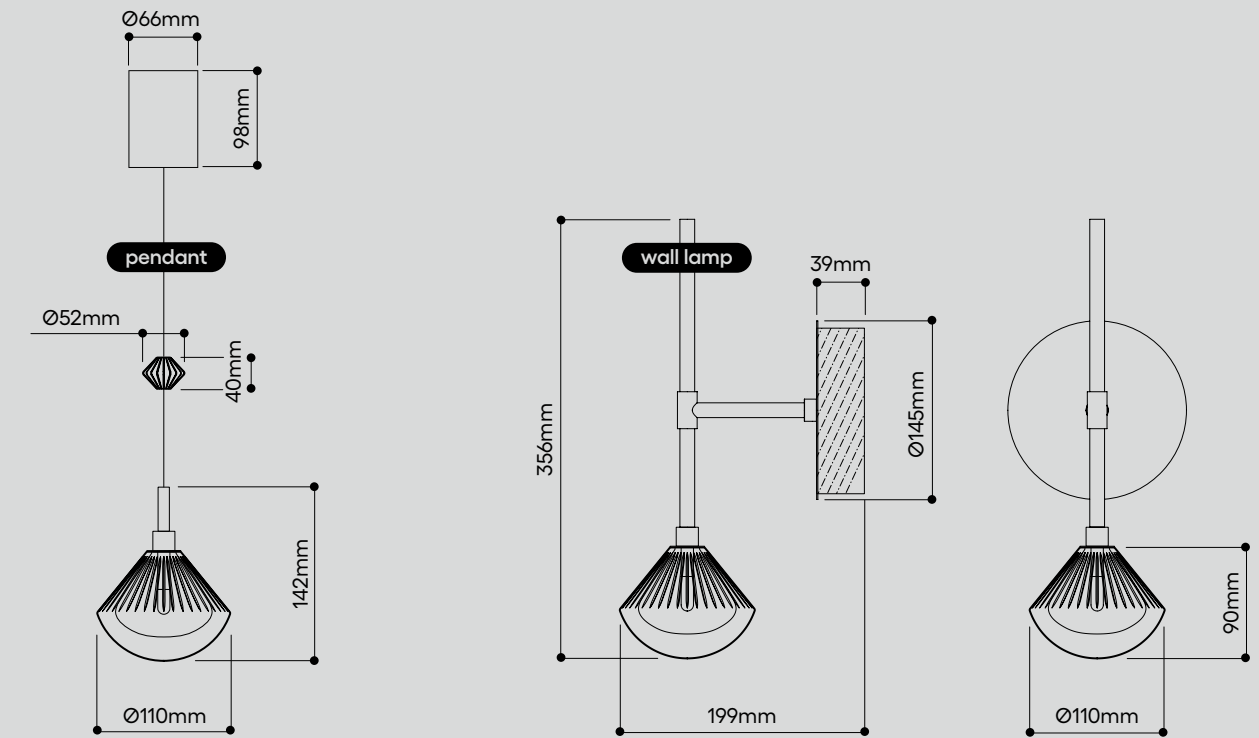
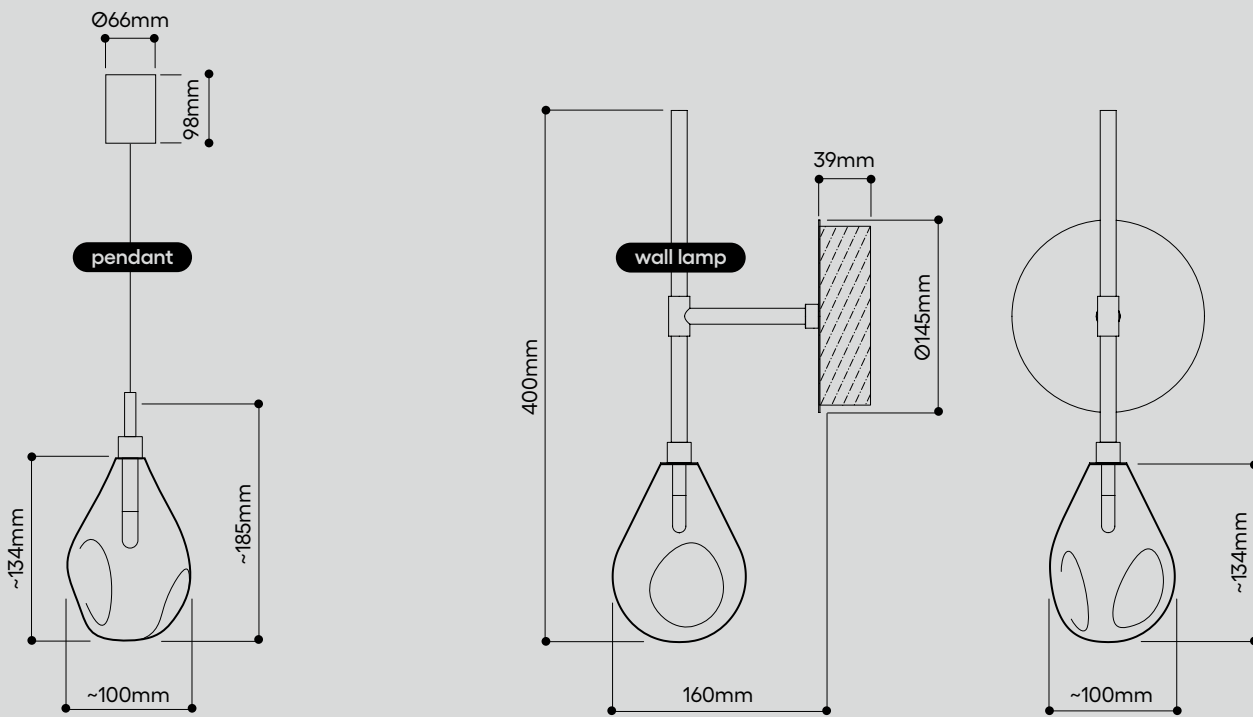


Stellar Dust

- Glass Color
- Clear

- Mounting Finish
- Brushed Gold
 - Anthracite

p. 118-121



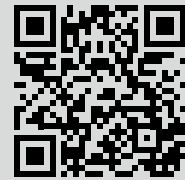


Tim

Glass Color
 • Clear
 • Smoke

Mounting Finish
 • Black
 • Silver
 • Brushed Copper

p. 122-125



Umbra

Glass Color
 • Light Gray
 • Pink
 • Clear
 • Smoke

Mounting Finish
 • Brushed Gold

p. 126-129

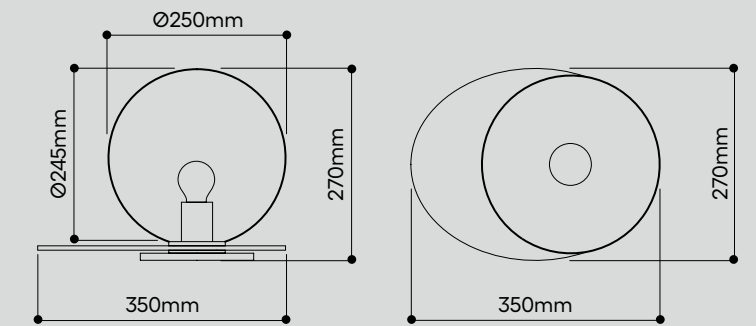
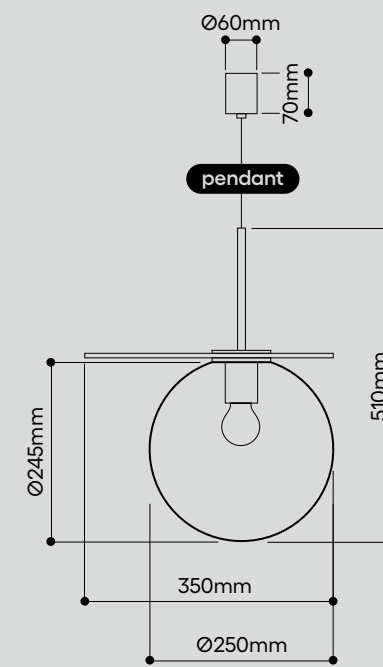
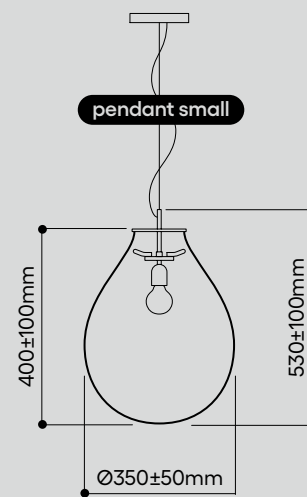
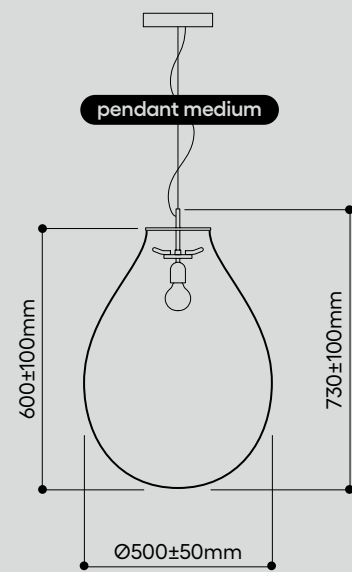
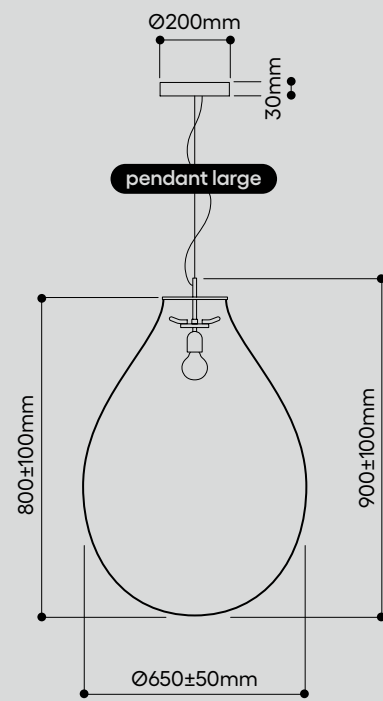
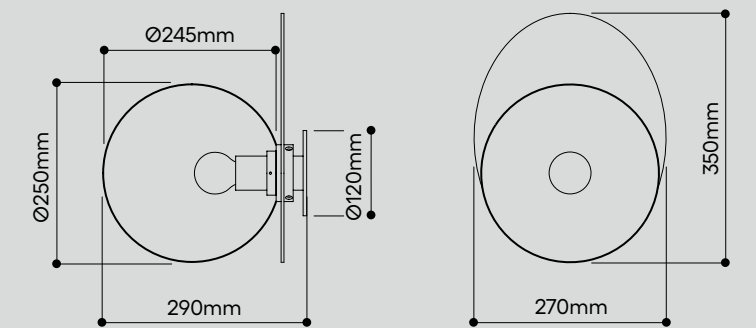


table lamp



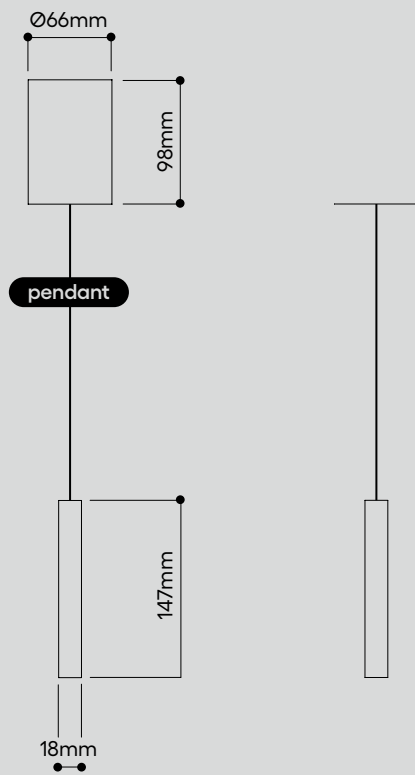
wall & ceiling lamp

Beam

Mounting Finish

- Brushed Gold
- Anthracite

p. 130-131



BOMMA

Contact BOMMA Glassworks BMRC Group s.r.o.
Zámecká 1177 Pod Dráhou 1638/7,
58291 Světlá nad Sázavou 170 00, Prague 7
Czech Republic Czech Republic
info@bomma.cz info@bomma.cz

Follow www.bomma.cz
Instagram @bomma_cz
Facebook @bommacz
YouTube @Bomma Lighting
Pinterest @bommacz
LinkedIn @bomma

Catalog Creative Director: Václav Mlynář
Photography: Gieves Anderson, Archivizer, ArchiCGI,
AR Visuals, Clémence Bargoin, BoysPlayNice,
Anja Callius, Martin Faltejsek, Francesca Fani,
Perry Graham, Anton Grassl, Martin Chum, Sergey
Krasuk, Adam Letch, Agnès Liberté, Yiannis Lontis,
Piotr Maciaszek, Mangoshake, Filip Marek,
Monument Office, Anna Pleslová, Dess Salto Photography,
Studio Periphery, Nour El Refai, Benoit Ravier-Bollard,
Yasunori Shimomura, Filip Šlapal, Ilia Tyryshkin,
Radek Úlehla, Vojtěch Veškrna, Ernest Winczyk,
Martin Zeman | Datelier
Graphic Design: Anymade Studio
Copy and Translations: Michaela and Jim Freeman

© Bomma 2025

Our colored collections have specific color gradients, which may differ slightly from piece to piece. Photography in the catalog is only illustrative.

[For latest product photography, please visit bomma.cz](http://www.bomma.cz)

LIGHTING COLLECTIONS

Ama	Pearls from the Depth of the Mysterious Sea
Blimp	The Unbearable Lightness of Glass
Buoy	A Private Harbor Shining Day and Night
Dark & Bright Star	The Endless Duel of Light and Darkness
Dew Drops	Nature's Gems on Blades of Grass
Divina	The Light Touch of the Divine, Transformed into Distinct Colors
Fragment Line	From Fraction to Refraction
Fragments	From Waste to Original Gemstones
Flare	A Glimpse of Inner Light
Lens	The Perfect Optics of Pure Crystal
Metamorphosis	The Transformation of Crystal into a Stunning Lighted Jewelry
Mussels	Perfect Shells Reflecting the Crystal-Clear Water Surface
Orbital	Bravely Crossing Galactic Paths
Pebbles	Keepsakes of Treasured Memories
Phenomena	Transient Images of the Eternal
Pyrite	The Fiery Stone from the Core of the Earth
Shibari	The Secret Language of Rope-Knots
Soap	The Magical Quality of Iridescence
Soap Mini	The Magical Quality of Iridescence
Stellar Dust	Cosmic Tapestry Carrying Light Through Space
Tim	The Mastery of Clarity
Umbra	Without Light, There Is No Shadow

STEP BEYOND